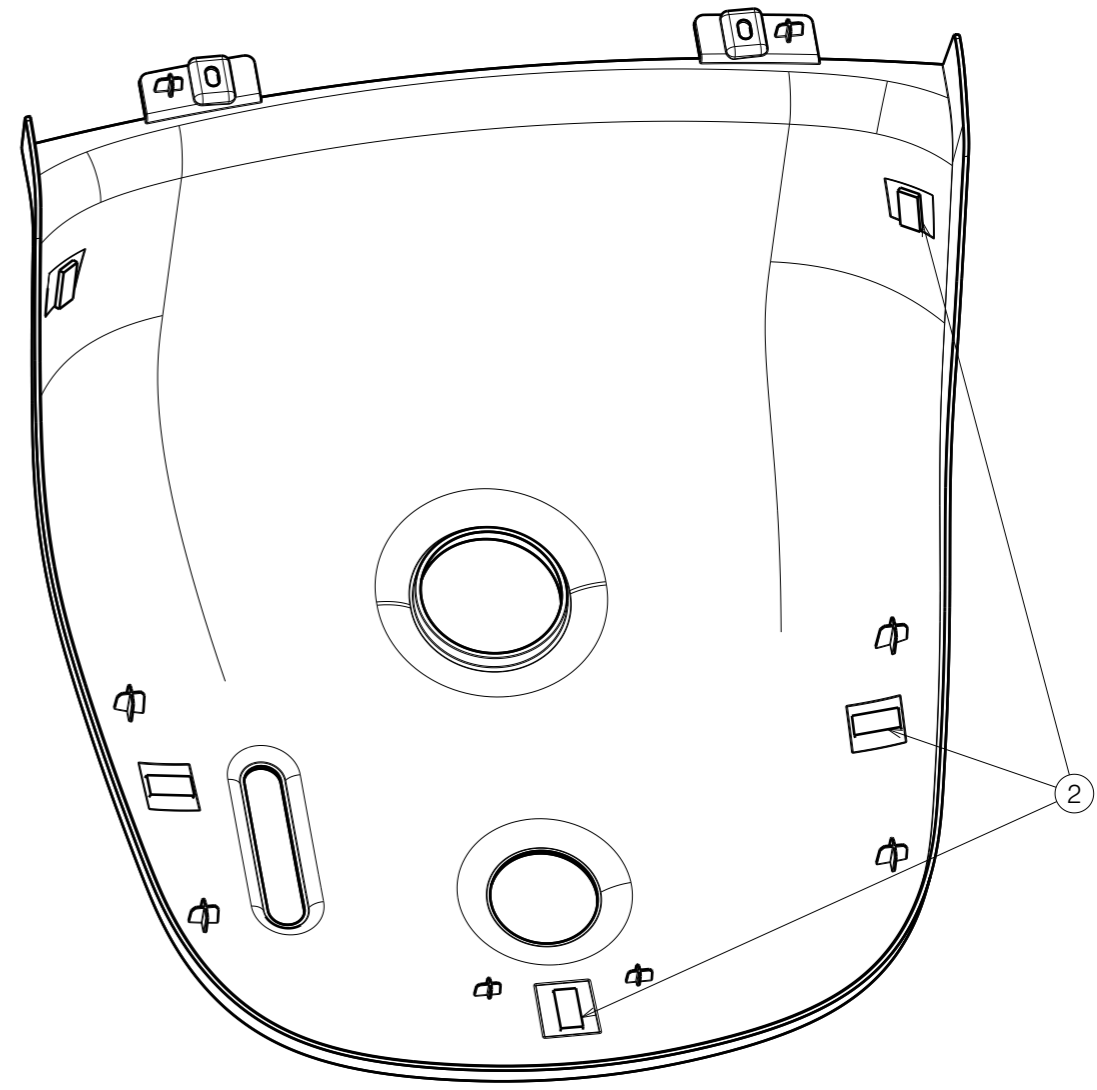
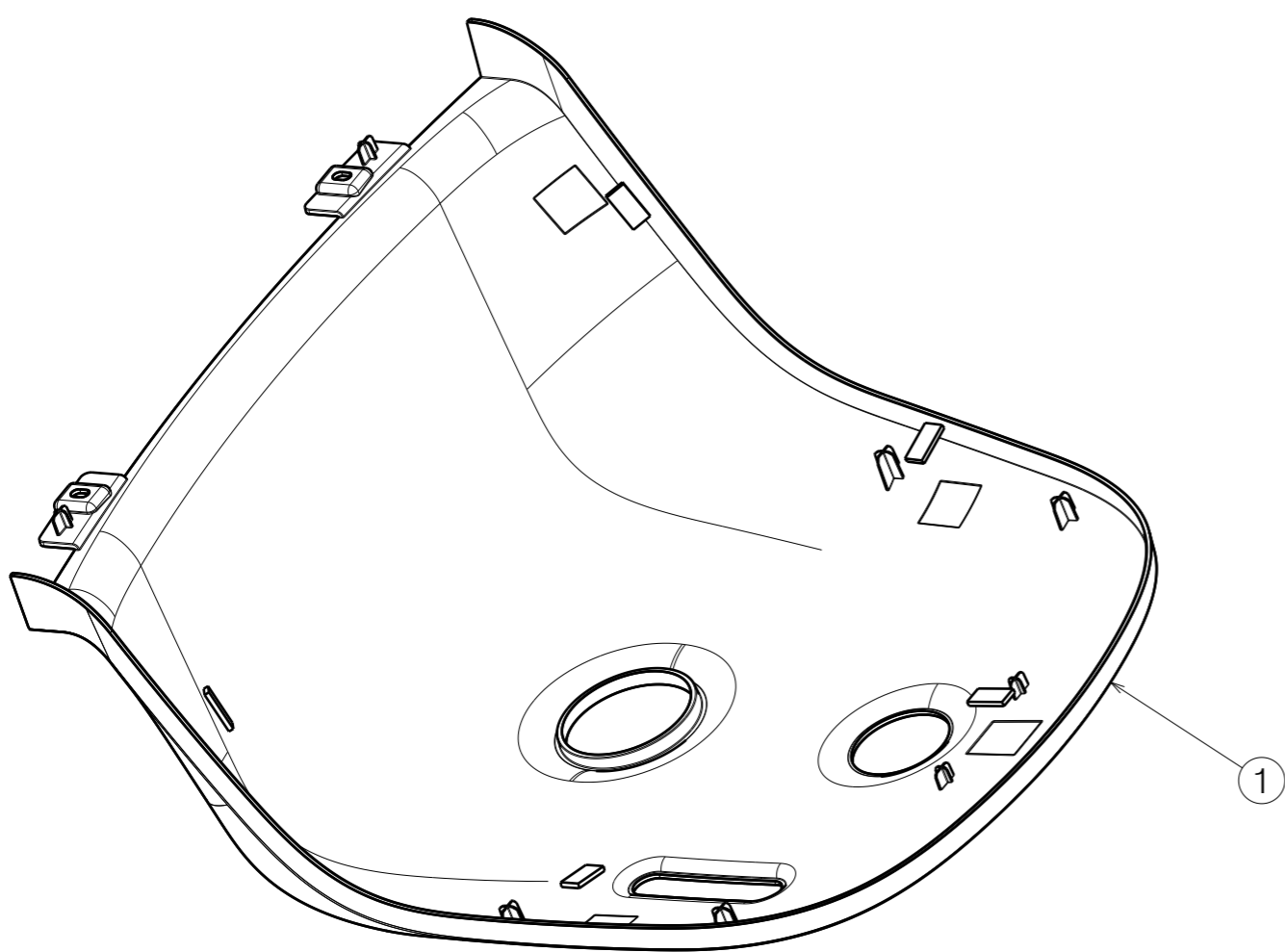


No.	Plan	Article	Qty
1	BATTERY COVER	29034...	1
2	3M DUAL LOCK 15x25mm	2998521	5



- Before stick 3M Dual Lock prepare surface on plastic part:
1. Roughen the surface by abrasive pad
 2. Clean surface with Isopropyl Alcohol (IPA), propan-2-OL.
 3. Press 3M Dual Lock after stick

NOTICE: THE INFORMATION CONTAINED ON THIS DRAWING IS PROPRIETARY TO VERMEIREN GROUP AND SHALL NOT BE DISCLOSED IN WHOLE OR IN PART, OR USED FOR ANY DESIGN OR MANUFACTURE, EXCEPT WHEN SUCH USER POSSESSES DIRECT WRITTEN AUTHORIZATION FROM VERMEIREN GROUP.

SV EON/SYNC BATTERY COVER COMPL.			
Scale: 1:4	Drafted	Verified	Confirmed
Date	22/07/2025	16/01/2026	16/01/2026
Initials	BK	BK	MK

Plan No. E00108120/A.2