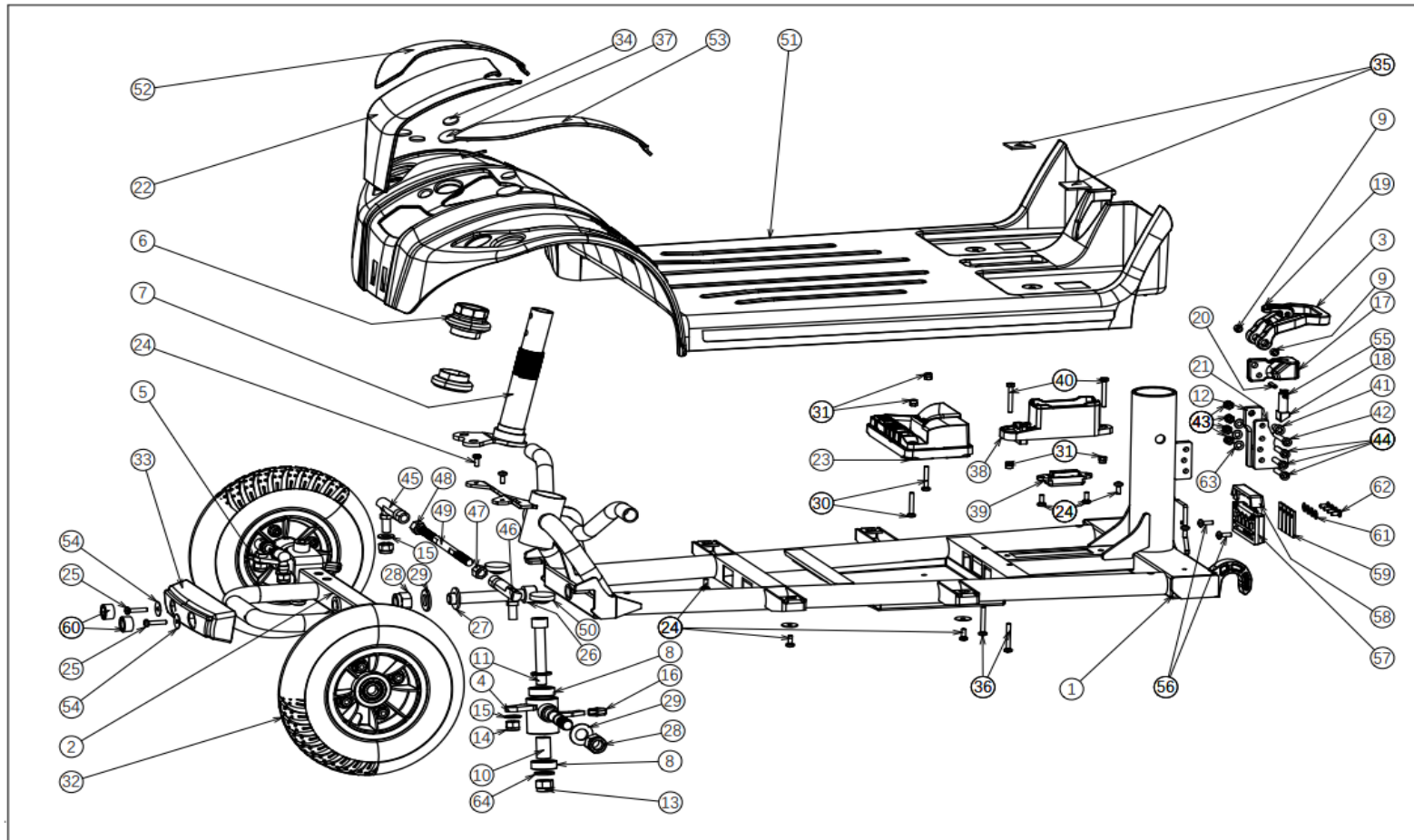


REV
ONE SPRING

18.08.2025

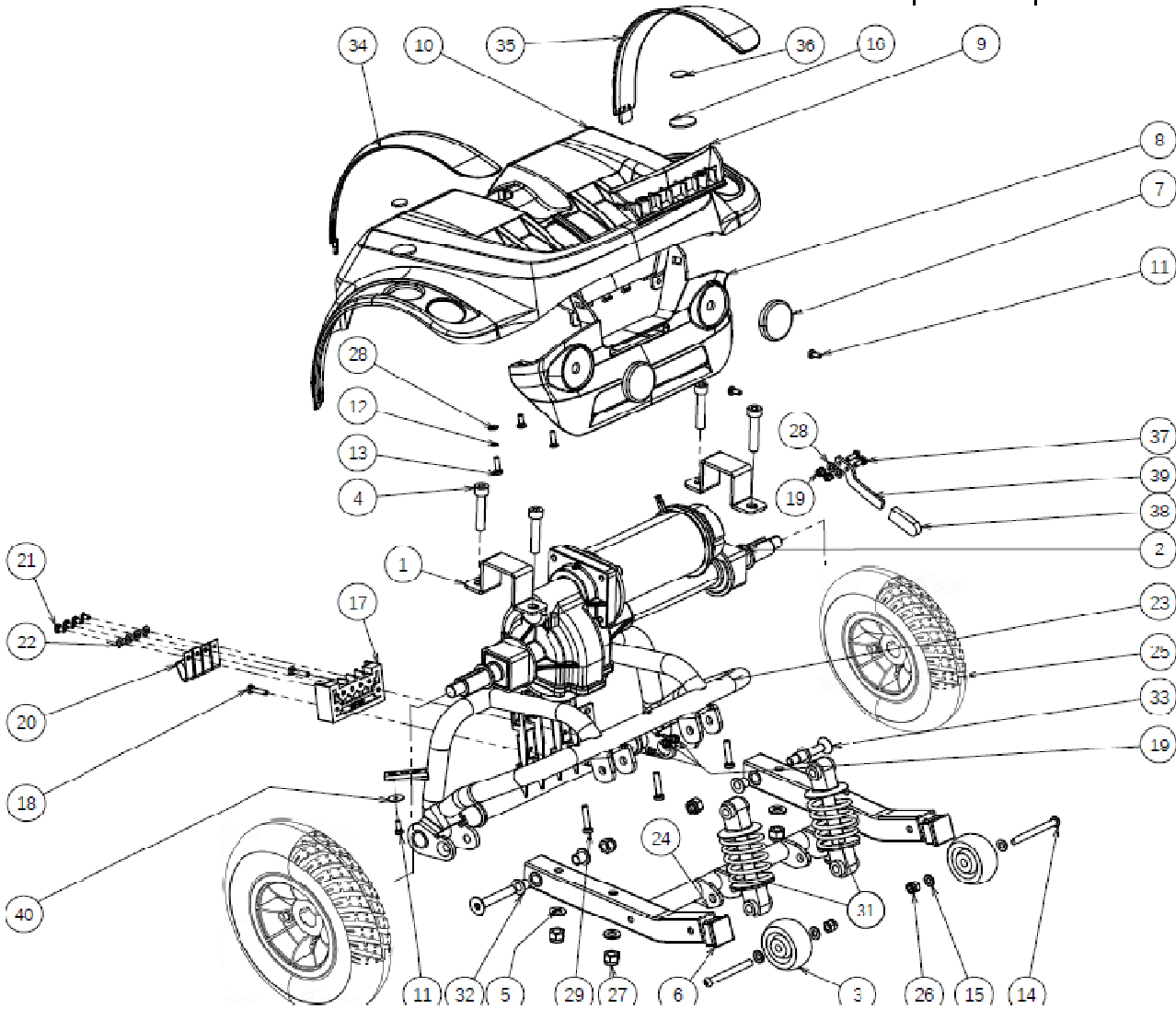
11.05.2026



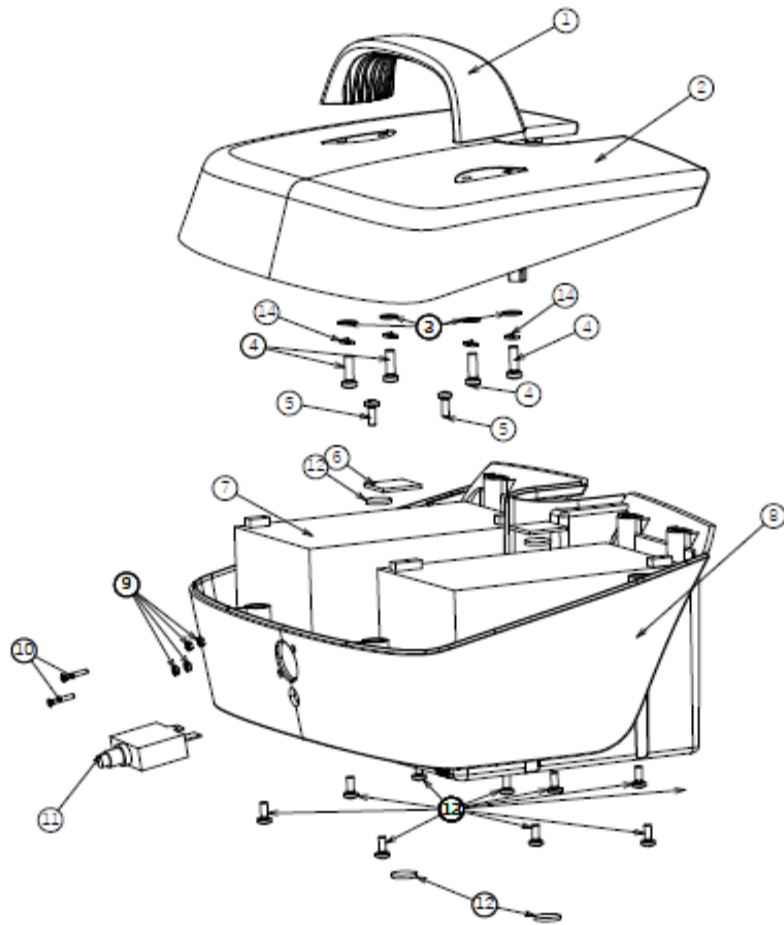
no	part nu	part	QT	no	part nu	part	QT
1	1920656	MAIN FRAME		1	36		
2	1918862	FRONT FORK		1	37		
3					38	1920657 BATTERY CONNECTOR HOLDER 1	1
4	1920340	FRONT AXLE L			39	1920658 BATTERY CONNECTOR HOLDER 2	1
5	1920341	FRONT AXLE R				1922814 BATTERY CONNECTOR +CABLE	1
6					40		

7				41			
7				42			
7				43			
7				44	1918857	BALL JOINT LE	
8				46	1918858	BALL JOINT RIGHT	
8				45			
8				47			
8				48	1918859	CONNECTION ROD	
9			1	49			
10				50	1918851	FOOT PLATE	1
11				51	1920443	SET COLOR PANEL FRONT green	
				52	1920444	SET COLOR PANEL FRONT orange	
				52	1920445	SET COLOR PANEL FRONT Blue	
				52	1920446	SET COLOR PANEL FRONT pink	
			1	52			
13				53	1920634	WASHER M4 NF E25-513	
14				54			
15			2	55			
16				56	1918861	FRONT CONTACT POINT HOLDER	1
17				57			
18			2	58	1918860	CONTACT POINT FRONT	4
19				59	1920635	BOLT CAP	6
20				60			
21				61			
22	1918852	FRONT COVER	1	62			
23	1919090	POWER MODULE	1				
24	1918856	STEERING AXLE ONE	1				
25	1920633	BOLT M4X20 DIN 7985	13				
26							
27							
28							
29							
30							
31							
32	1922939	FRONTWHEEL ONE AIR	2				

33	1920632	FRONT BUMPER	1			
34						
35						

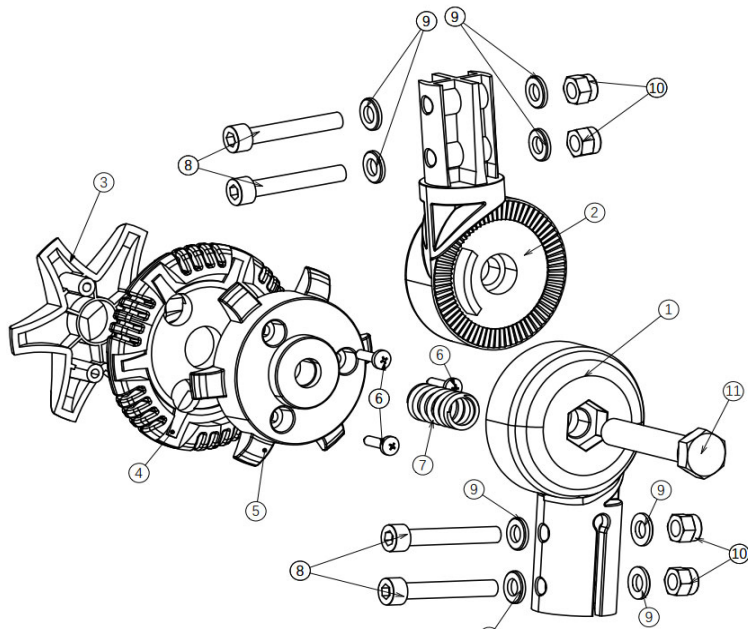


no	part nu	part	QT		part nu	part	QT
not depicted	1920394	TIRE	4	no			
not depicted	1001263	INNER TIRE	4				
1							
not depicted	1922014	BUSH TRANSMISION .	1	28			
	1920396	MOTOR	1	29			
	1920397	MOTORBRAKE	1	30	1922668	SPRING	2
2	1918887	DIFF.+MOTOR+REM	1	31			
	1920395	DIFF	1	32			
3	1922523	WHEEL ANTI TIPPING	2	33			
4				34			
5				35			
6				36			
7				37	1922190	RED MOTORBRAKE LEVER COVER	1
8	1922588	REAR COVER SPRING	1	38	1920439	COLOR PANEL SET L/R green	
9	1922669	REAR UPPER COVER SPRING	1	0	1920440	COLOR PANEL SET L/R orange	
10				0	1920441	COLOR PANEL SET L/R Pink	
11				0	1920442	COLOR PANEL SET L/R blue	
12				0			
13				40			
14	1922549	BOLT ANTI TIP	2	41			
15	1922403	SPRING WASHER	4	42			
16				43			
17	1918889	REAR CONTACT POINT HOLDER	1	44			
18				45			
19							
20	1918890	CONTACT POINT REAR	4				
21							
22							
23	1922667	UPPER REAR FRAME	1				
24	1922665	LOWER REAR FRAME	1				
25	1922938	REAR WHEEL LU	2				
26	1922551	LOCK NUT	2				
27							
not depicted	1923143	AXLE KEY	2				

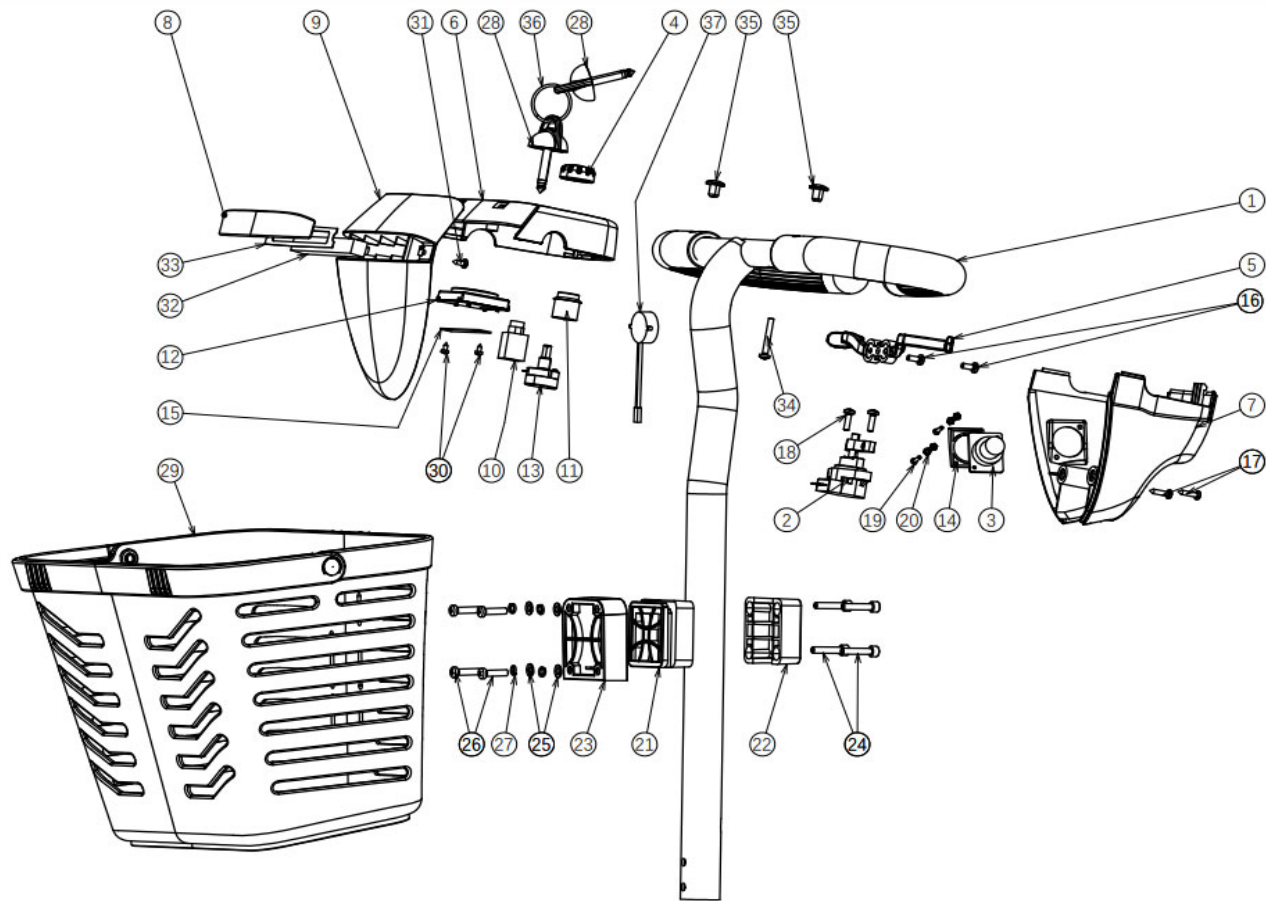


no	part nu	part	QT			
0	1922828	BATTERY BOX WITHOUT BATTERIES	1			
	1922929	BATTERY BOX COMPL	1			
0	1922672	CHARGER PLUG BATT BOX	1			
1						
2						
3						
4						
5						

6						
7		SI*BATT				
8						
9						
10						
11	1920531	MAIN FUSE		1		
12	1922784	SCREWMx10		5		
13						
14						
15				2		
16						
17						
18						
	1922776	CHARGER LITHIUM		1		

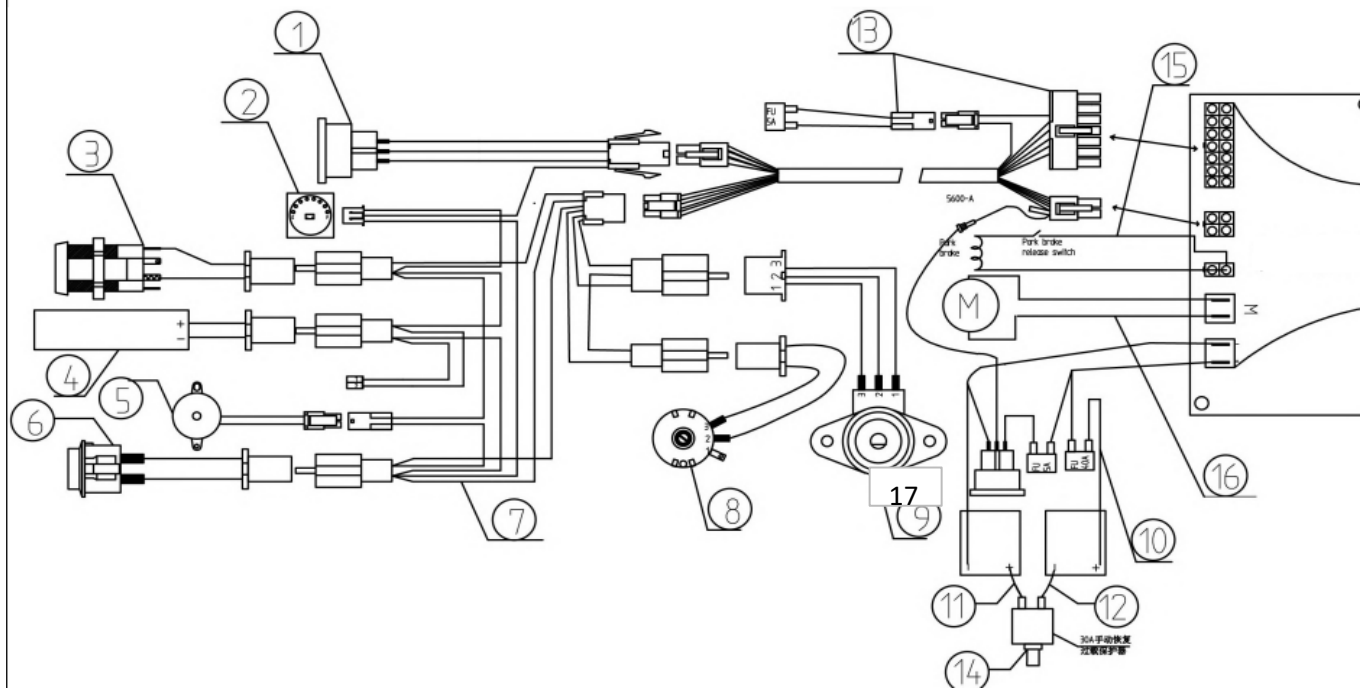


no	part nu	part	QT			
1	1921317	lower parrr angle adujstment				
2						
3	1921320	outer knob angle adjust	1			
4	1921319	middle knob angle adjust	1			
5	1921318	inner knob angle adjust	1			
6	1921322	bolt M5 X 16				
7	1921321	spring knob angle adjust	1			
8						
9						
10						
11	1922522	bolt angle adjust M10 X55	1			
not depicted	1922514	Set 1/12	1			



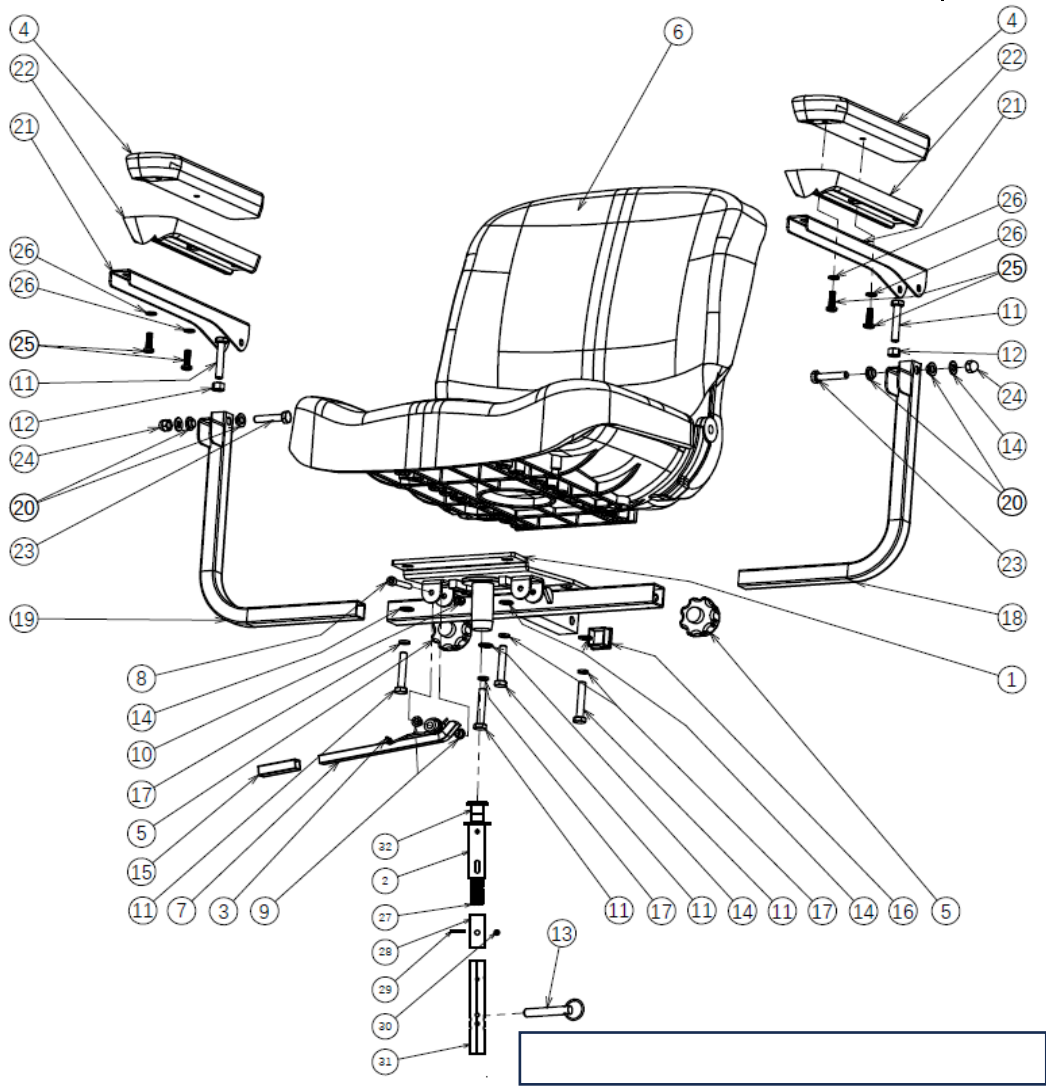
no	part nu	part	QT
1			
2	1918911	SPEED DIAL ASSEMBLY	1
3	1922674	CHARGER SOCKET	1
4			
5	1918910	SPEED LEVER	1
6	1923868	TOP COVER	1
7	1918913	STEERING COVER BACK	1
8	1921463	FRONT LIGHT COVER	1
9	1918914	STEERING COVER FRONT	1

10	1919437	CONTACT IGNITION	1
11	1920423	HORN SWITCH	1
12	1918912	BATTERY INDICATOR	1
13	1918909	POT SPEED	1
14			
15			
16			
17			
18			
19			
20			
21	1920502	ASSEMBLY PLATE BASKET MIDDLE	1
22	1920510	ASSEMBLY PLATE BASKET REAR	1
23	1920501	ASSEMBLY PLATE BASKET FRONT	1
	1920832	BASKET HOLDER COMPLETE	
24	1920511	BOLT M5X25	2
25	1920503	WASHER	4
26	1920505	BOLT M5X20	4
27			
28	1918908	IGNITION KEY	1
29	1920509	BASKET	1
30			
31			
32	1920629	FRONT LIGHT	1
33			
34			
35			
	1918977	MIRROR LEFT	1
	1918978	MIRROR RICHT	1
37	1920628	HORN	1



no	part nu	part	QT
1	1922674	CHARGER SOCKET	1
2			
3			
4			
5			
6			
7	1918976	SHORT CABLE TILLER	1
8			
9	1918909	POT. SPEED	1
10	1921636	CABLE+ FUSE	1
11			
12			

13	1922401	MAIN CABLE	1
14			
15			
16			
17	1922672		1
	1922773	4P PROGRAM ADAPTOR	1



no	part nu	part	QT			
0						
1						
2						
3						
4	1918895	ARM PAD	2			
5	1920266	BOLT ARMREST FIXATION	2			
6	1918899	CHAIR	1			
6.1	1920640	BACK	1			
6.2	1920641	SEAT				
7	1920645	SEAT HANDLE	1			
NOT DEPICTED	1923200	SPRING SEAT HANDLE	1			
8						
8						
9						
10						
11	1924043	BOUT M8 X 45 DIN931	4			
12						
13						
14	1924044	RONDSEL M8 DIN126	4			
15						
16						
17	1924045	RONDSEL VEER M8DIN127B				
18	1918903	ARMREST LOWER LEFT	1			
19	1918907	ARMREST LOWER RIGHT	1			
20						
21	1918931	ARMRESR UPPER PART	2			
22						
23						
24						
	1920830	ARM REST COMPLETE L	1			
	1920831	ARM REST COMPLETE R	1			
	1921438	SEAT PLATE COMPL W/A tube	1			
	1922964	SEAT TUBE SPRING COMPL	1			