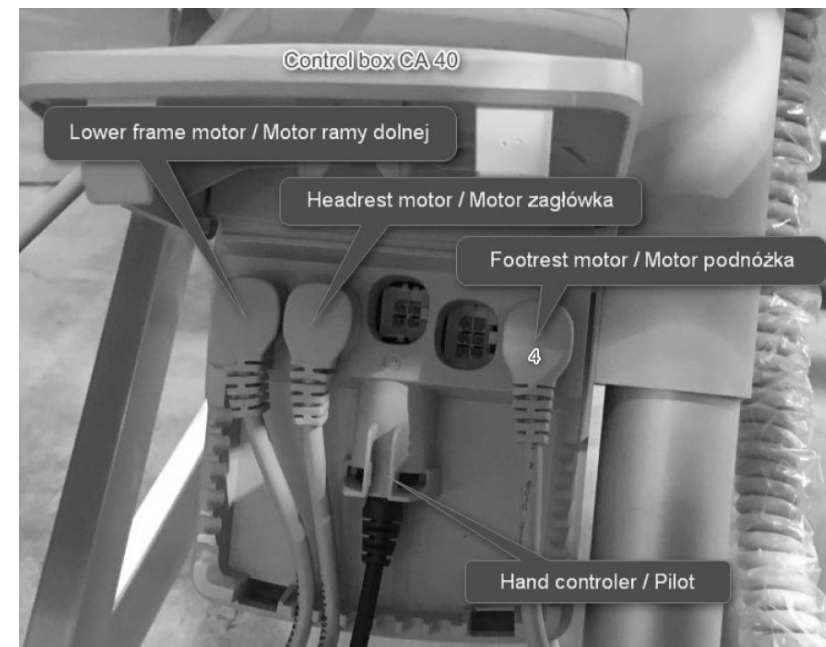
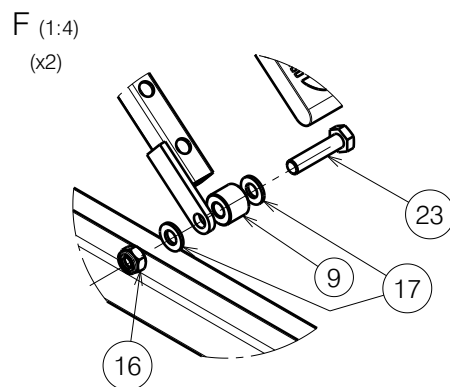
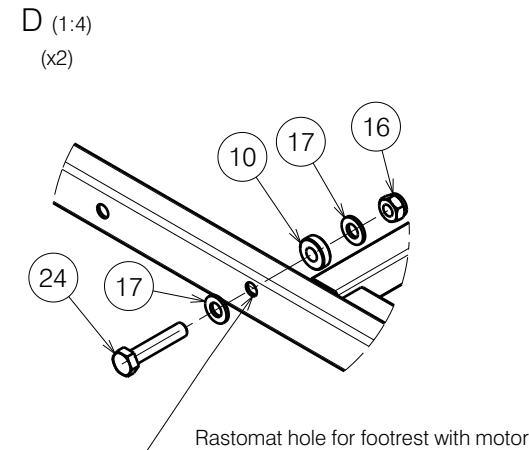
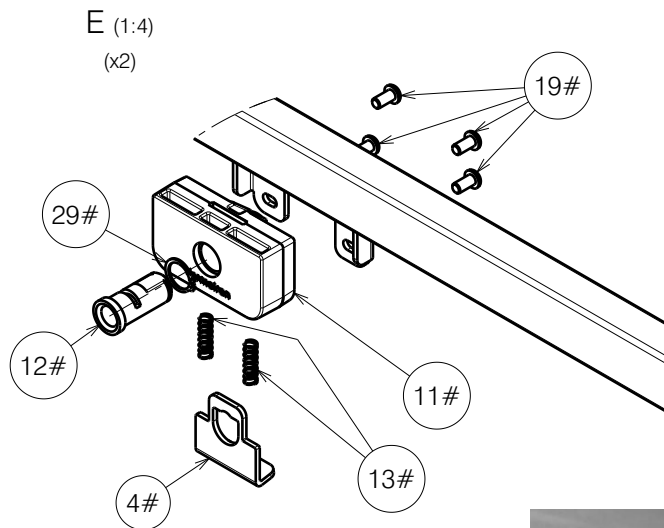


1/2

FOOT SIDE WITH WOODEN LATHS ILLICO				Plan No. E00026603/D1.1
Scale: 1:8	Drafted	Verified	Confirmed	
Date	07/12/2021	24/08/2023	24/08/2023	
Initials	DR	DR	AZ	

Bill of Material

No.	Plan	Article	Quantity
1	YP05897DP	27851	1
2	YP06216	2784803	1
3	YP06217	2795303	1
4#	YP08882	2629303	2
5	P00045881	2997529	1
6	P00026131	26456	1
7	P00026133	26457	1
8	P00026641	26451	2
9	P00027078	2995304	2
10	X004967	1908262	2
11#	XP01795	2993539	2
12#	XP02992	GP22400	2
13#	XP01899	GP12700	4
14	XP01954	2993706	2
15	Nut M6 DIN985	1001680	2
16	X001016	1001682	8
17	Washer D8 DIN125	1003199	24
18	M6x20	1006999	2
19#	M6x12	1007000	8
20	Nylon rivet	1990752	2
21	LA27	1903979	1
22	M8x20	1992349	2
23	M8x35	1001444	4
24	M8x40	2993705	2
25	Pen D10x50	1998885	2
26	Tube Cap 30x20	1997922	2
27	Star Knob M8x20	2993800	2
28	Tube Cap 20x20	1001612	2
29#	DIN471 15,7-1mm	2993606	2
30	Rastomat	1909002	2
31	Washer D5 DIN125	1000972	4
32	Nut M5 DIN986	1992804	2
33	M5x40	2993786	2
34	Wheel D29	2993761	2
35	XP01420	2993117	16
36	XP01421	2993116	8
37	Cap Rubber 8mm	1001637	4
38	Nut M6 DIN315	1001520	4
39	Washer D6 DIN125	1000973	4
40	4,8x19 DIN7983	1006072	2
41	Tube Cap 16x16	1005899	4
42*	Motor cable	1912902	1
43*	Label "4" for cable	1995838	1



* - Not depicted

- Use only with metal side rails (EP00256 & EP00257).

Do not use with wooden bars (EP00280) and SSR (EP00493)

2/2

FOOT SIDE WITH WOODEN LATHS ILLICO				-
				Plan No.
				E00026603/D1.1
Scale: ---	Drafted	Verified	Confirmed	
Date	07/12/2021	24/08/2023	24/08/2023	
Initials	DR	DR	AZ	