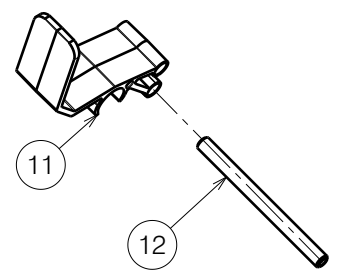
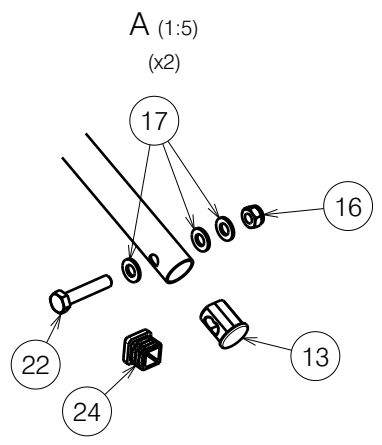
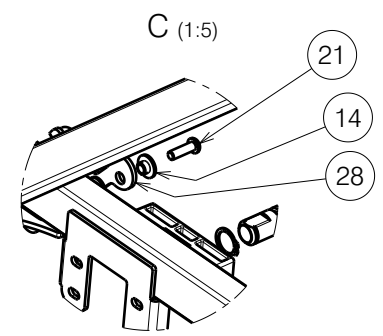
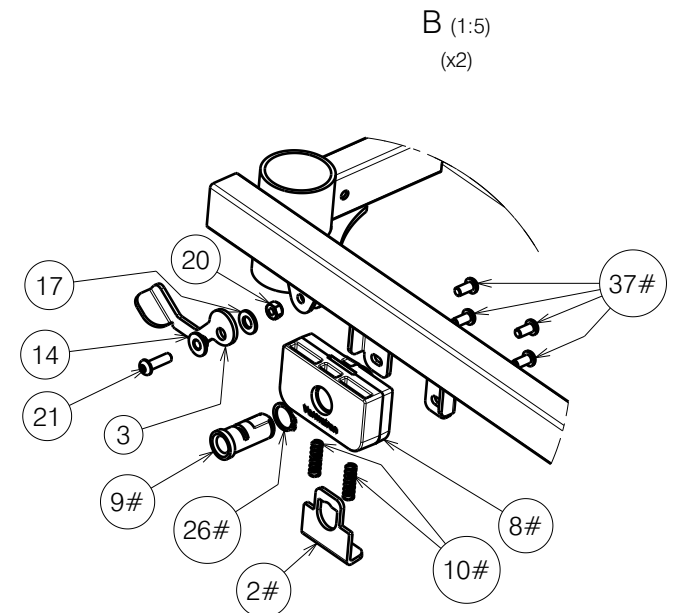


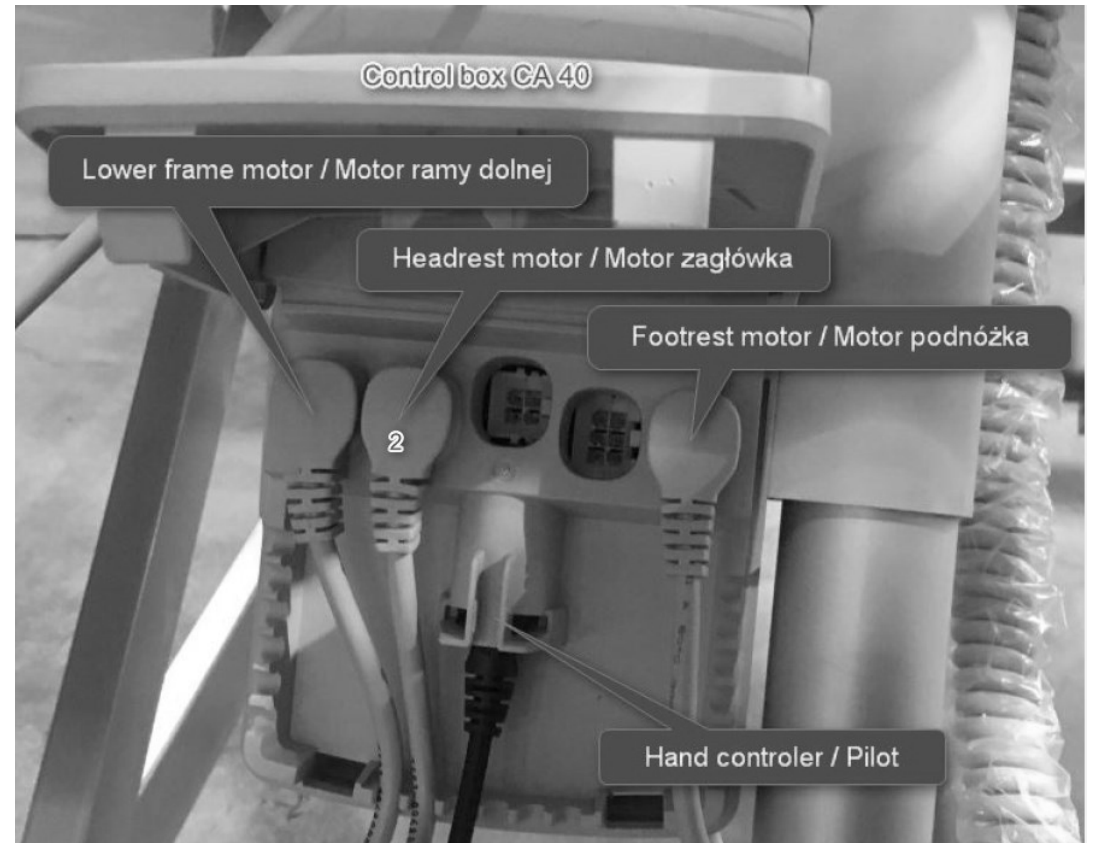
Mattress holder - way of assembly



EP00260 / L

HEAD SIDE WITH ABS PLATFORM ILLICO				Plan No.
				1/2 EP00260 / L
Scale: 1:10	Drafted	Verified	Confirmed	
Date	31/10/2017	12/03/2024	12/03/2024	
Initials	DB	MK	AZ	

Material			
No.	Plan	Article	Quantity
1	YP05877	27844...	1
2#	YP08882	2629303	2
3	YP06217 / Right	2795303	1
4	YP05894	2784700	2
5	YP05898DP	27893...	1
6	XP01791	2993535	1
7	XP01794	2993538	1
8#	XP01795	2993539	2
9#	XP02992	GP22400	2
10#	XP01899	GP12700	4
11	XP01906	2993600	2
12	XP01912	2993607	2
13	XP02064	2993688	2
13**	XP01916	2993701	2
14	XP01954	2993706	2
15	Tube Cap 10x20	1001621	2
16	Nut M8 DIN 985	1001682	4
17	D8,4 DIN 125	1003199	8
18	M6x16	1008459	12
19	Velcro 25mm	1990663	0,05m
20	Nut M6 DIN 985	1001680	2
21	M6x20	1006999	2
22	M8x40 DIN 931	2993705	2
23	Pen D10x50	1998885	2
24	Tube Cap 20x20	1001612	6
25	LA27	1901113	1
26#	DIN 471 15,7-1mm	2993606	2
27	YP06448	2729800	1
28	YP06216 / Left	2784803	1
29*	Motor Cable	1912902	1
30*	Label "2" for cable	1995836	1
31	X001842	G053400	2
32	D5,3 DIN 125	1000972	4
33	Nut M5 DIN 986	1992804	2
34	M5x40	2993786	2
35	M8x45	1994473	2
36	Wheel D29	2993761	2
37#	M6x12	1007000	8



* - Not depicted

** - Milled part, use only if 13 is unavailable

- Use only with metal side rails (EP00256 & EP00257).

Do not use with wooden bars (EP00280) and SSR (EP00493)

EP00260 / L

HEAD SIDE WITH ABS PLATFORM ILLICO				Plan No.
				EP00260 / L
Scale: 1:10	Drafted	Verified	Confirmed	
Date	31/10/2017	12/03/2024	12/03/2024	
Initials	DB	MK	AZ	

