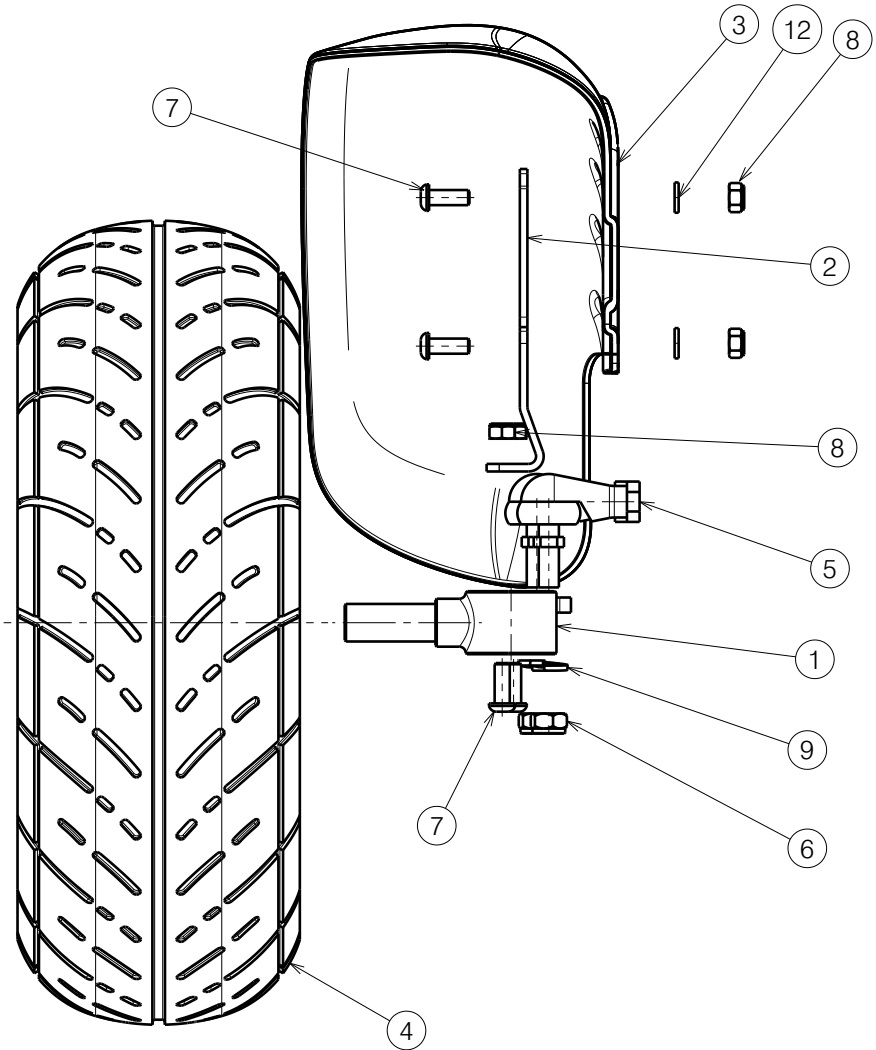
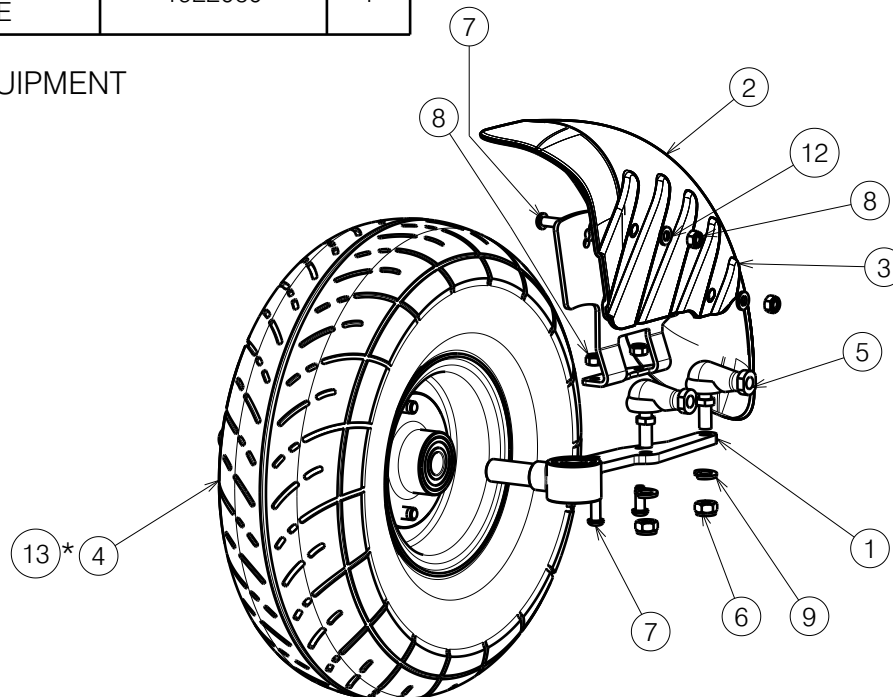



No.	Plan	Article	Qty
1	WHEEL SUPPORT	2998729	1
2	FENDER BRACKET	2913304	1
3	FENDER	2998634	1
4	WHEEL LINE PROFILE	1922201	1
5	1922806	1922806	2
6	NUT M8 DIN985 BLACK	3991743	2
7	2994067 M6x16	2994067	4
8	NUT M6 DIN985 BLACK	3991110	4
9	SPRING WASHER M8	1001570	3
10	SCREW M8X25 DIN912	3991119	1
11	WASHER D27X9.2X2.6 ZINC	3991137	1
12	WASHER M6 BLACK	2994068	2
13*	WHEEL BLOCK PROFILE	1922060	1

\* - OPTIONAL EQUIPMENT



NOTICE: THE INFORMATION CONTAINED ON THIS DRAWING IS PROPRIETARY TO VERMEIREN GROUP AND SHALL NOT BE DISCLOSED IN WHOLE OR IN PART, OR USED FOR ANY DESIGN OR MANUFACTURE, EXCEPT WHEN SUCH USER POSSESSES DIRECT WRITTEN AUTHORISATION FROM VERMEIREN GROUP.

SV SYNC FRONT WHEEL RIGHT				Plan No.
				E00092330/A.1
Scale: 1:3	Drafted	Verified	Confirmed	
Date	27/08/2025	15/01/2026	15/01/2026	
Initials	BK	MK	MK	