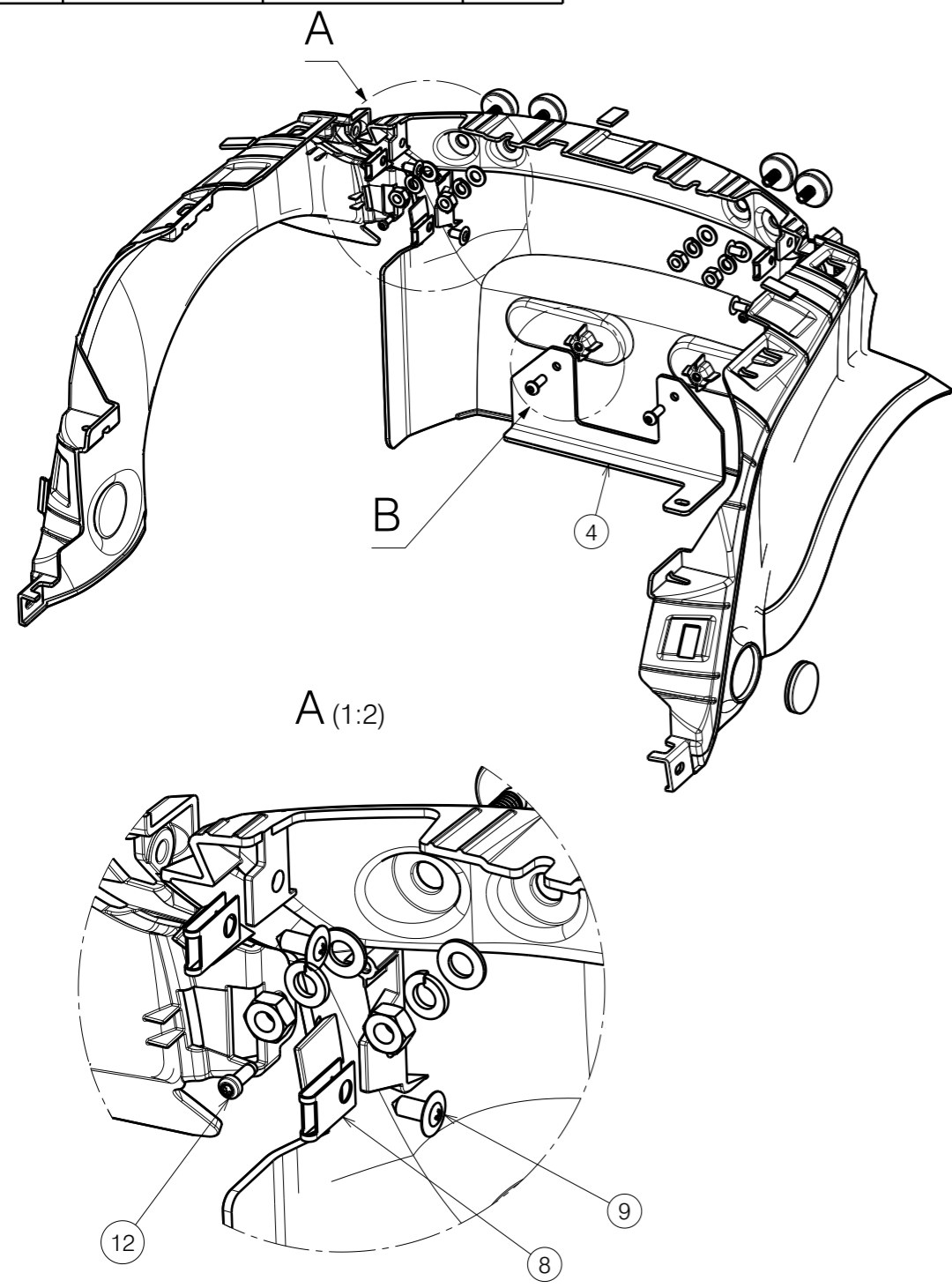
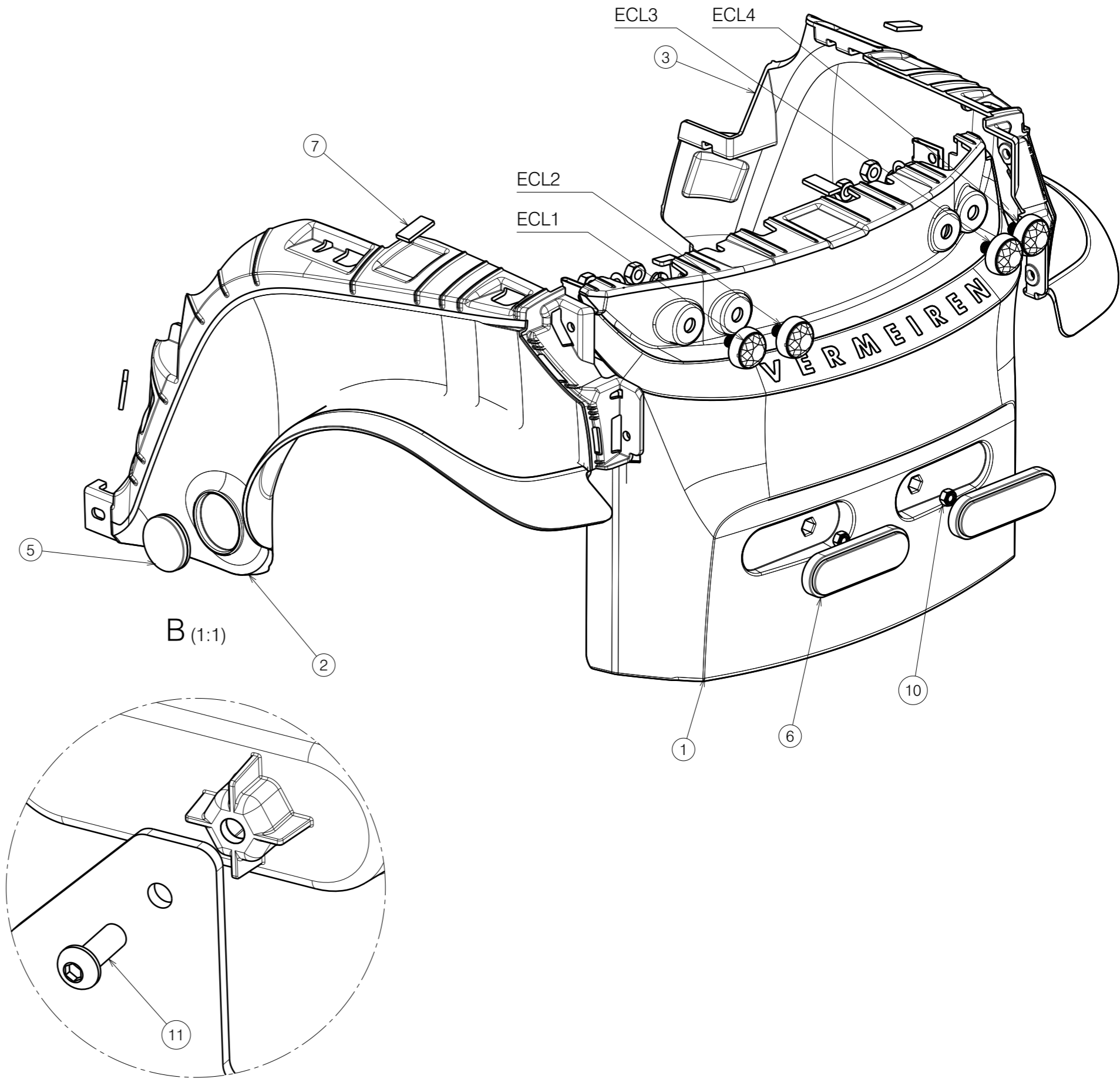


No.	Plan	Article	Qty
1	REAR BUMPER	2998620	1
2	LEFT FENDER	2998621	1
3	RIGHT FENDER	2998619	1
4	P00101135	2913804	1
5	REFLECTOR ORANGE D39	1999997	2
6	P00076122	1921511	2
7	3M Dual Lock 15x25mm	2998521	5
8	CLAMP	3991351	4
9	SCREW W134 D6.2X14	3991368	4
10	NUT M6 DIN985	3991110	2
11	Scerw M6x16	1008459	2
12	BN 20173 40x12	2998563	2



Before stick 3M Dual Lock prepare surface on plastic part:

1. Roughen the surface by abrasive pad
2. Clean surface with Isopropyl Alcohol (IPA), propan-2-OL.
3. Press 3M Dual Lock after stick

NOTICE: THE INFORMATION CONTAINED ON THIS DRAWING IS PROPRIETARY TO VERMEIREN GROUP AND SHALL NOT BE DISCLOSED IN WHOLE OR IN PART, OR USED FOR ANY DESIGN OR MANUFACTURE, EXCEPT WHEN SUCH USER POSSESSES DIRECT WRITTEN AUTHORIZATION FROM VERMEIREN GROUP.

SV EON REAR BUMPER SUB-ASSY				Plan No.
				E00108387/A.2
Scale:	1:3	Drafted	Verified	Confirmed
Date	21/07/2025	03/10/2025	03/10/2025	
Initials	BK	BK	MK	

