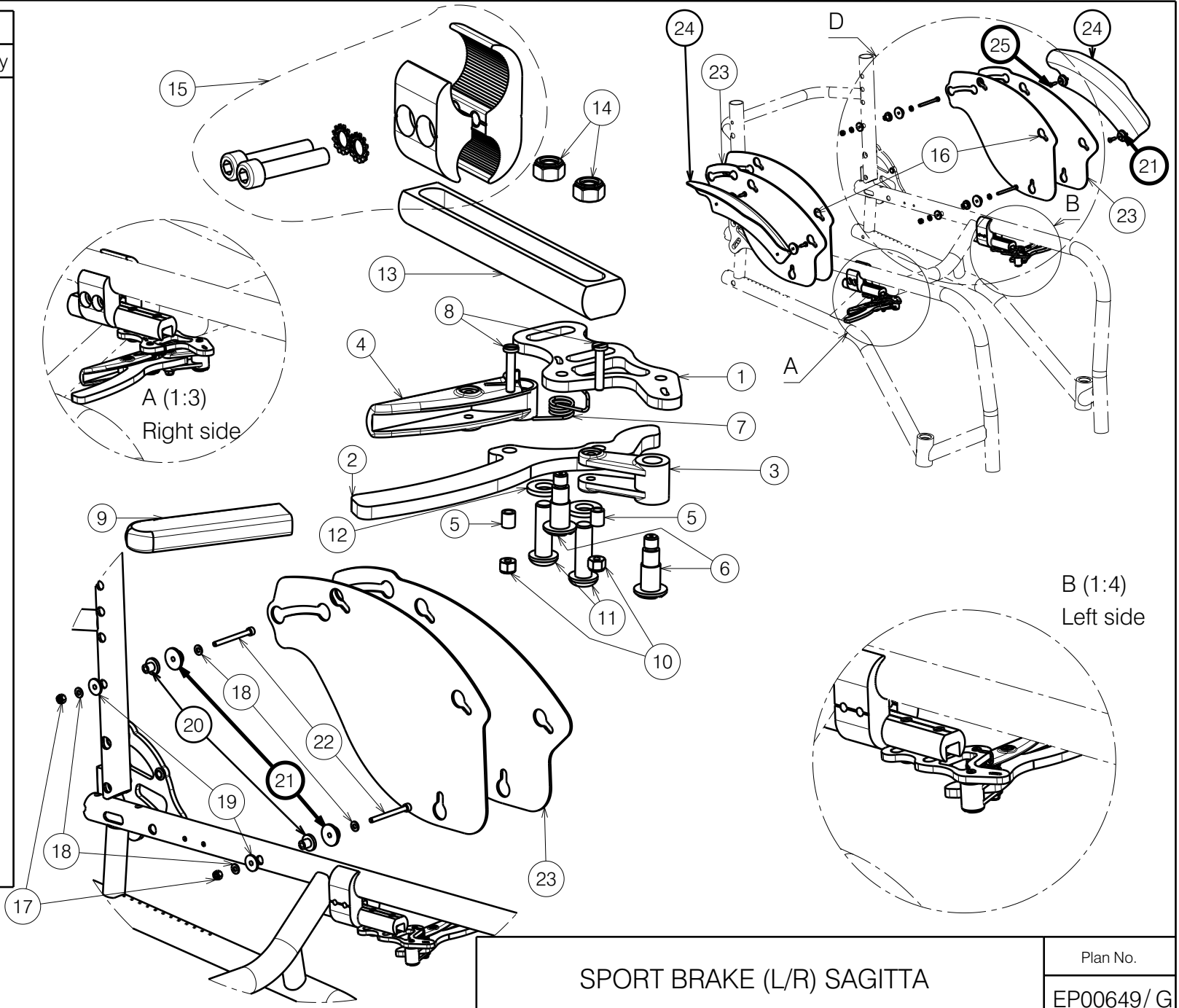


Bill of Material

No.	Plan	Article	Quantity
1	YP06972	2743765	2
2	P00050248	2670465	2
3	XP02231	2993879	2
4	XP02229(R)	2993877	1
	XP02230(L)	2993878	1
5	XP02079	GP15300	4
6	XP02078	GP15226	4
7	XP01914(L)	GP13300	1
	XP01915(R)	GP13400	1
8	XP02922	GP22126	4
9	---	1007521	2
10	M3	2994899	4
11	M6x20 Black	2994010	4
12	M6 DIN 125	2994414	4
13	XP03430	2997530	2
14	M6 DIN 985 Black	2994063	4
15	MBL	2990321	2
16	YP09506	26610...	2
17	M4 DIN985 Black	1907202	4
18	M4 DIN125 Black	1003303	4
19	XP03432	2997532	4
20	XP03431	2997531	4
**	P00093408	2998564	4
21	XP00412	2990456	8
22	M4x45 DIN912	2998457	4
23*	P00071746	26852...	2
24	YP02362(R)	18987...	1
	YP02363(L)	18986...	1
25	RIVET 4x14	1001584	4



Quantity per left and right side  
 \*Pos. 23 for 22 inch wheels  
 \*\* Use only with tube armrest.

EP00649 / G

Detail D  
 Scale: 1:5

<b>SPORT BRAKE (L/R) SAGITTA</b>				Plan No. EP00649/ G
Scale: 1:2	Drafted	Verified	Confirmed	
Date	15/11/2022	26/11/2024	26/11/2024	
Initials	WM	PM	AS	