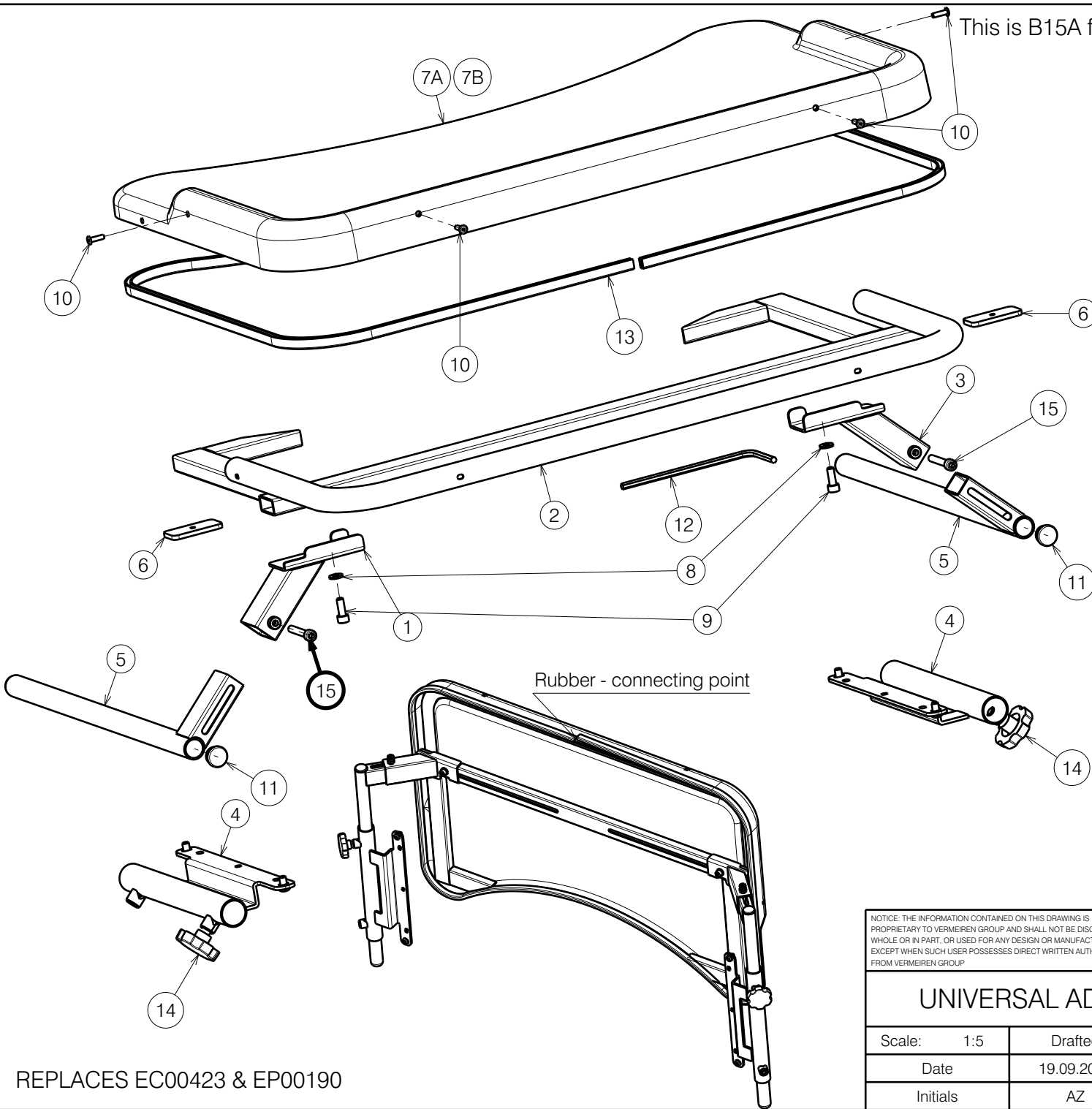


This is B15A for international client. For PL client use EP00142



No.	Plan	Article	Qty
1	P00114480	2915954	1
	P00115561*	2916254*	1*
2	P00115163	2915754	1
3	P00115185	2915854	1
	P00115563*	2916354*	1*
4	P000025	---	---
5	YP04995	2896000	2
6	YP05003	2896400	2
7A	XP01338(Black)	2992968	1
7B	XC00697(White)	3990701	1
8	M6 DIN125A	1000973	2
9	M6x16 DIN912	1001492	2
10	Rivet 4x14	1001584	4
11	Cap D19	1001602	2
12	Allen key 5 / DIN911	W620228	1
13	Rubber 2mm	1003299	2,1m
14	Sterknop M8x16	2990024	2
15	M6x40 DIN912	1003909	2

\* - Use for comfort chair.

NOTICE: THE INFORMATION CONTAINED ON THIS DRAWING IS PROPRIETARY TO VERMEIREN GROUP AND SHALL NOT BE DISCLOSED IN WHOLE OR IN PART, OR USED FOR ANY DESIGN OR MANUFACTURE, EXCEPT WHEN SUCH USER POSSESSES DIRECT WRITTEN AUTHORISATION FROM VERMEIREN GROUP.

### UNIVERSAL ADJUSTABLE TABLE B15A

Scale:	1:5	Drafted	Verified	Confirmed
Date	19.09.2025	13.04.2026	13.04.2026	
Initials	AZ	PM	AS	

---

Plan No.  
E00115924/C.1

REPLACES EC00423 & EP00190