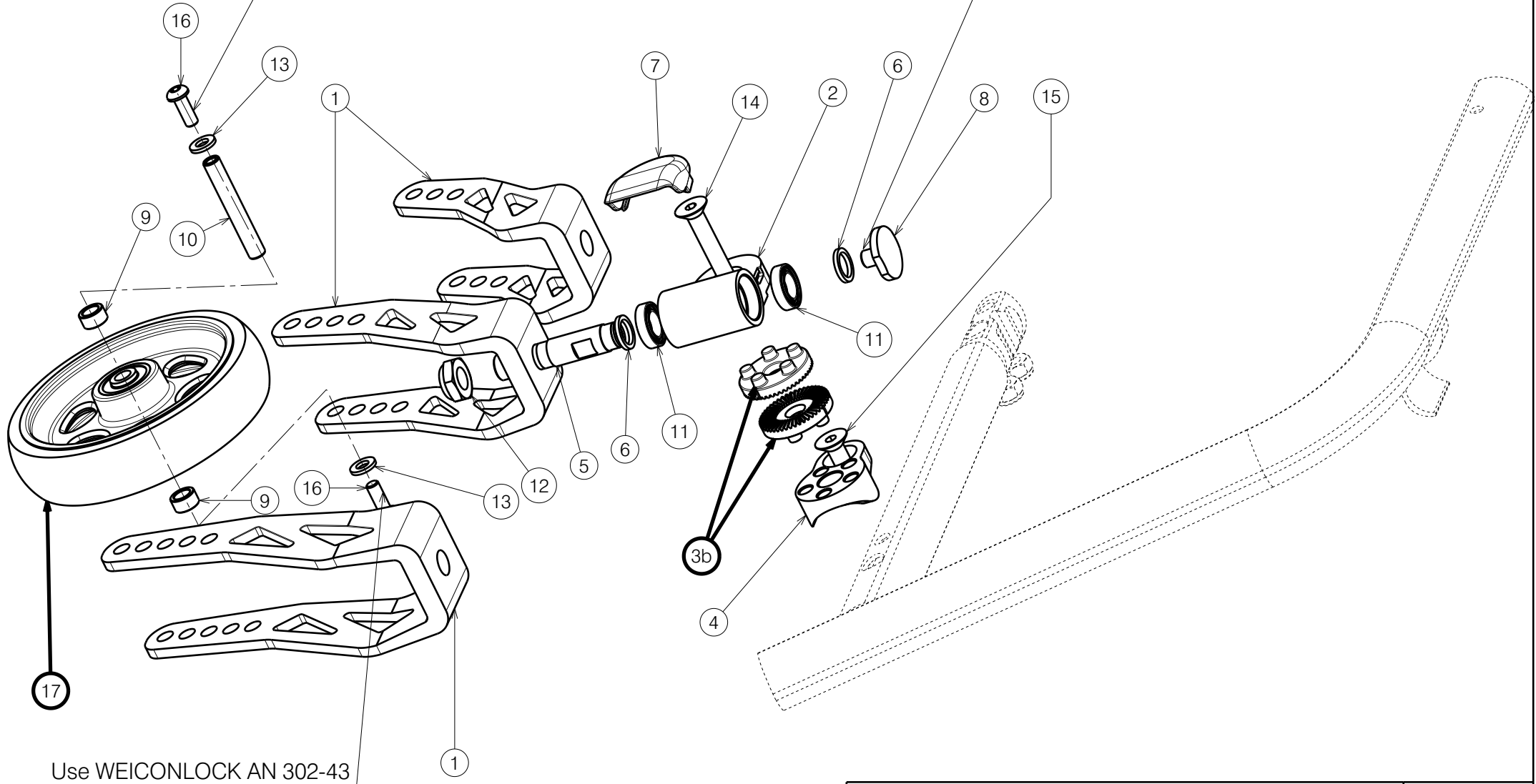


Use WEICONLOCK AN 302-43

Use WEICONLOCK AN 302-43



Use WEICONLOCK AN 302-43

Degrease the screws before using the glue.

FRONT WHEELS TRIGO S-LINE

Plan No.

Page 1/2

EP00255/ H

Scale: 2:5

Drafted

Verified

Confirmed

Date

27/10/2017

04/01/2025

04/01/2025

Initials

AS

PM

AS



EP00255 / H

Material			
No.	Plan	Article	Quantity
1	XP01649	GP10299	1
	XP01650	GP10399	1
	XP01651	GP10499	1
2	XP01629	GP08999	1
3a	---	---	-
3b	XP03382	GP27926	2
4	XP01580(R)	GP07899	1
	XP01581(L)	GP07999	1
5	XP01693	GP10900	1
6	XP01694	GP11000	2
7	XP01563	2993732	1
8	XP01630	GP09099	1
9	XP00339(wheel Led,trans)	GP00044	2
	XP00680(wheel black)	2990917	2
	P00082480(wheel carbon)	2998465	2
10	XP00341	1854900	1
11	Bearing	1003276	2
12	M13x1,25	1994605	1
13	M6DIN125	2994414	2
14	M8x50 DIN7991	2994633	1
15	M8x30 DIN7991	2994077	1
16	M6x16	2994067	2
17	wheel 3"(Black)	2990568	1
	wheel 4"(Black)	2990348	1
	wheel 5"(Black)	2990328	1
	wheel 6"(Black)	2993715	1
	wheel 3"(Traspar.)	2990959	1
	wheel 4"(Traspar.)	2990960	1
	wheel 5"(Traspar.)	2990962	1
	wheel 4"(Led)	2990961	1
	wheel 5"(Led)	2990963	1

Material			
No.	Plan	Article	Quantity
17	wheel 3" SILVER	2993905	1
	wheel 3" RED	1914839	1
	wheel 3" BLUE	1914840	1
	wheel 4" SILVER	2993906	1
	wheel 4" RED	1914841	1
	wheel 4" BLUE	1914842	1
	wheel 5" SILVER	2993907	1
	wheel 5" RED	1914843	1
	wheel 5" BLUE	1914844	1
	wheel 4" carbon	2993716	1
	wheel 5" carbon	2993717	1



Carbon



Anoda



Black



Black



Led

EP00255 / H

FRONT WHEELS TRIGO S-LINE

Plan No.

Page 2/2

EP00255/ H

Scale: 2:5	Drafted	Verified	Confirmed	
Date	27/10/2017	04/01/2025	04/01/2025	
Initials	AS	PM	AS	