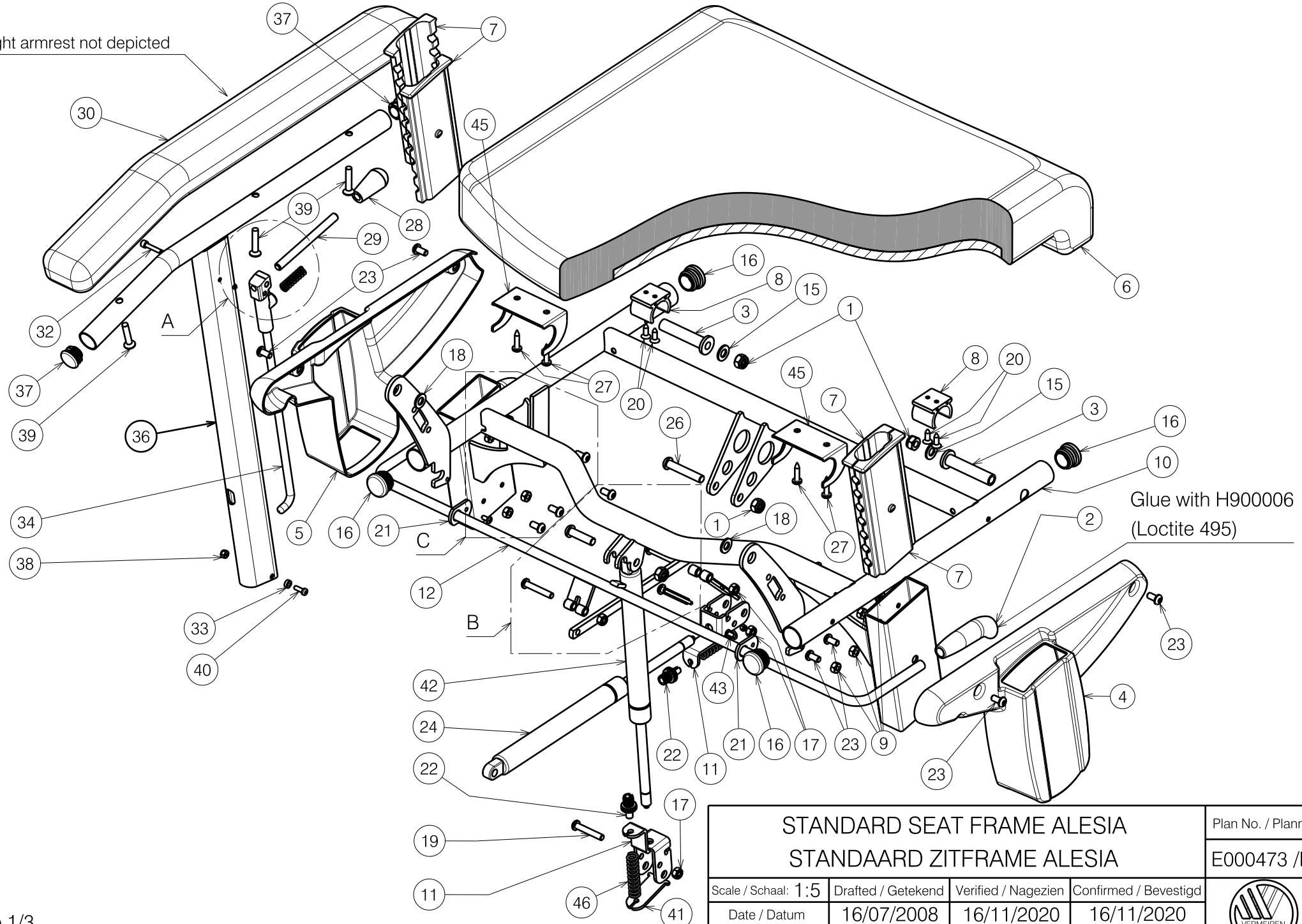

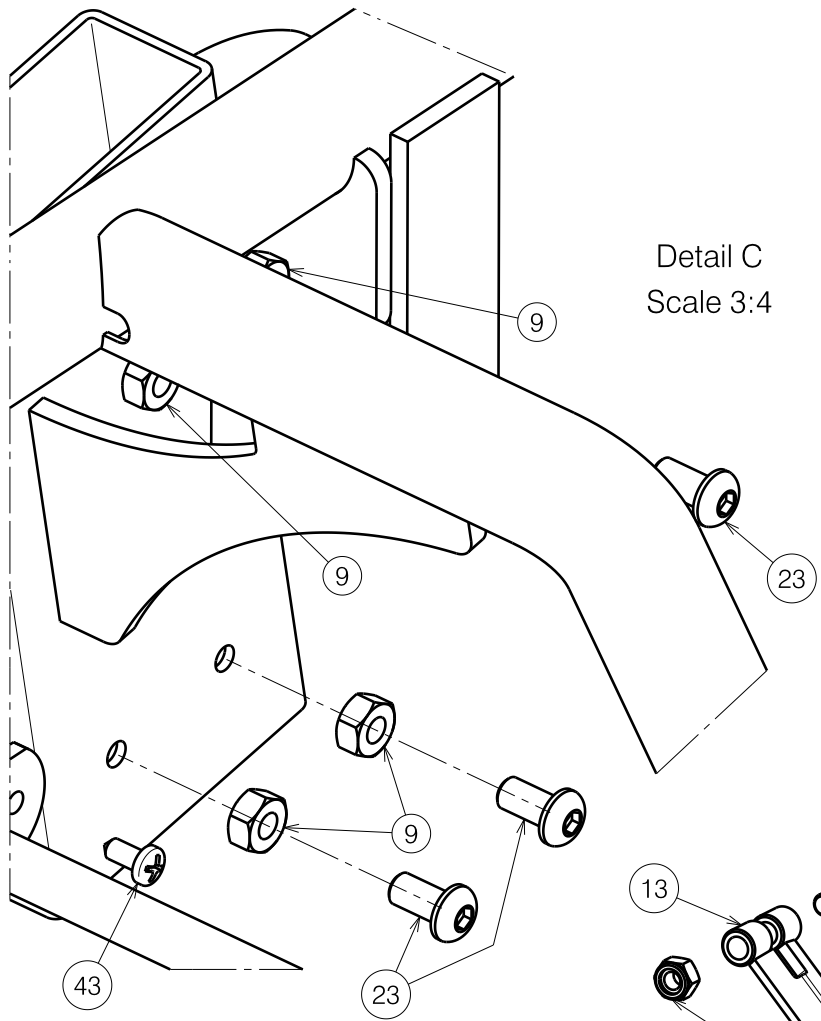


Right armrest not depicted

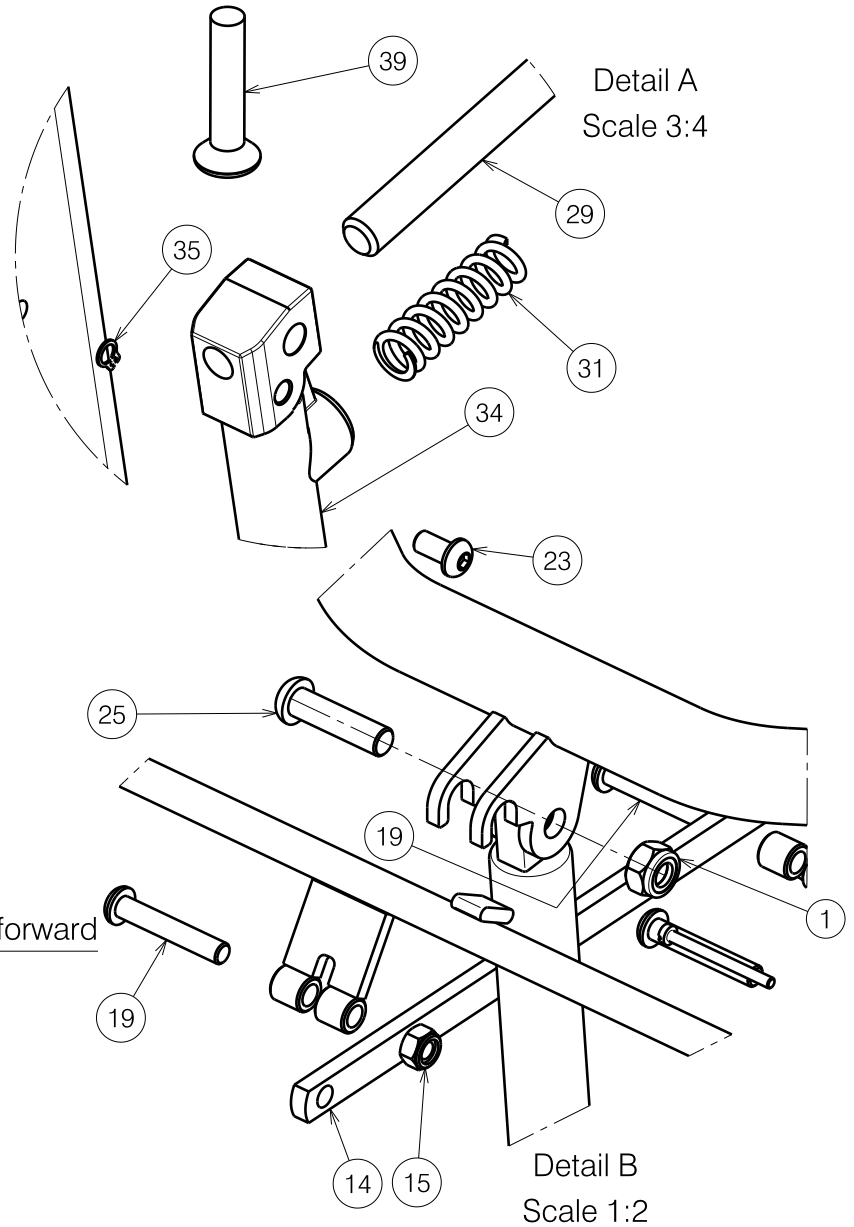


Glue with H900006  
(Loctite 495)

<b>STANDARD SEAT FRAME ALESIA</b> <b>STANDAARD ZITFRAME ALESIA</b>				Plan No. / Plannr.
				E000473 / P
Scale / Schaal: 1:5	Drafted / Getekend	Verified / Nagezien	Confirmed / Bevestigd	
Date / Datum	16/07/2008	16/11/2020	16/11/2020	
Init. / Init.	SD	SD	PJ	

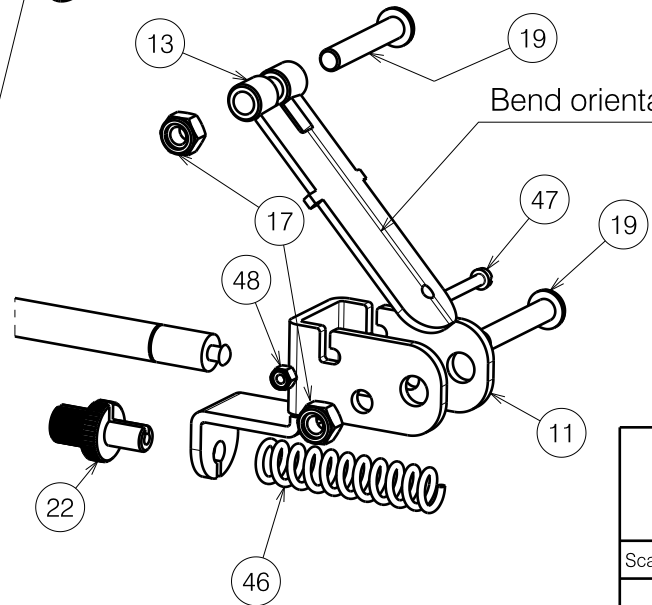


Detail C  
Scale 3:4



Detail A  
Scale 3:4

Detail B  
Scale 1:2




Bend orientated forward

STANDARD SEAT FRAME ALESIA STANDAARD ZITFRAME ALESIA			Plan No. / Plannr. E000473 /P
Scale / Schaal: 1:5	Drafted / Getekend	Verified / Nagezien	Confirmed / Bevestigd
Date / Datum	16/07/2008	16/11/2020	16/11/2020
Init. / Init.	SD	SD	PJ



Material							
No.	Plan	Article	Quantity	No.	Plan	Article	Quantity
1	X001016	1001682	4	26	M8x45 ISO7380	1994473	1
2	X004020	1902078	2	27	4,8X22 DIN7981	2990070	4
3	X004042	1692400	2	28	---	1998407	2
4	X004036	1902075	1	29	XP00176	1824100	2
5	X004065	1902074	1	30	X004355	1902817 (Left)	1
6	X004105	1902292	1		X004356	1902819 (Right)	1
7	X004347	1903644	4	31	XC00423	3991837	2
8	XP00106	2990072	2	32	XP00180	1824500	2
9	M6 DIN934	1001670	8	33	XP00192	1826100	2
10	Y008372	1691674	1	34	XP00208	2990139	2
11	Y011640	1655100	2	35	XP00297	2990125	2
12	Y013365	1691901	1	36	Y013549	1704401 (Left)	1
13	Y013856	1692200	1		Y014450	1704501 (Right)	1
14	Y013857	1692300	1	37	Ø22	1990648	4
15	M8 DIN126	1001554	2	38	M4 DIN985	1001678	2
16	Ø25	1001608	4	39	M6X30 DIN966	1007954	6
17	M6 DIN985	1001680	4	40	M4X12 DIN7985H	1900952	2
18	M8 DIN125	1003199	2	41	Y011652	1655200	1
19	M6x35 ISO7380	1006057	4	42	400 N	1005602	1
20	3,9X16 DIN7982	1005767	4	43	3,9X9,5 DIN7981	1001530	2
21	Y015130	1432074	2	45	YP00717	1821854	2
22	M7	1900008	2	46	---	1910774	2
23	M6x12 ISO7380	1007000	12	47	M3x35 DIN84	1911642	1
24	150 N	1996871	1	48	M3 DIN985	1997899	1
25	M8x30 ISO7380	1992717	1				

STANDARD SEAT FRAME ALESIA STANDAARD ZITFRAME ALESIA				Plan No. / Plannr.
				E000473 /P
Scale / Schaal: 1:5	Drafted / Getekend	Verified / Nagezien	Confirmed / Bevestigd	
Date / Datum	16/07/2008	16/11/2020	16/11/2020	
Init. / Init.	SD	SD	PJ	