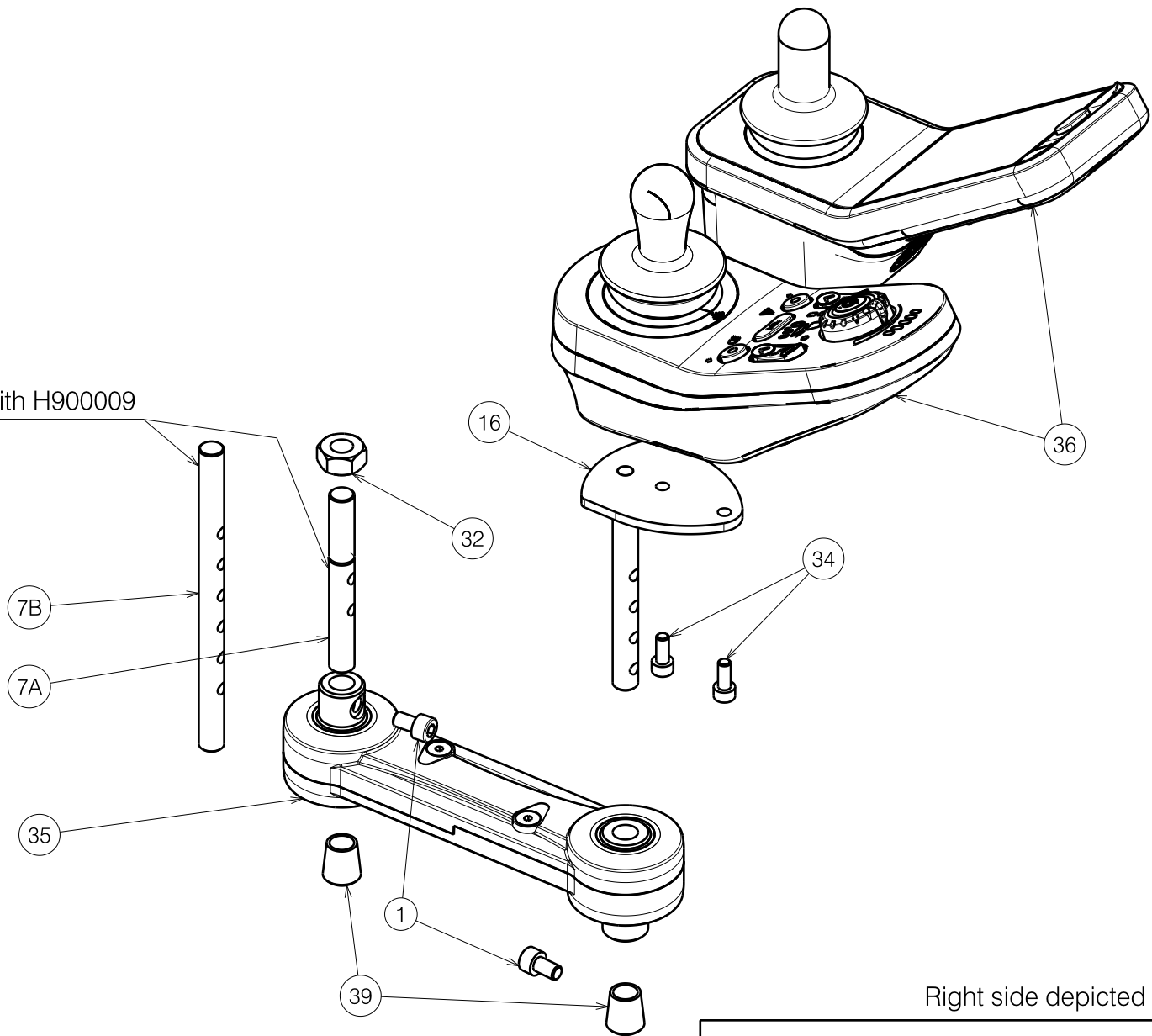


2992223

E000946 / R

FOLDABLE QUICK RELEASE ARMREST				Plan No.
				E000946 / R
Scale: 1:4	Drafted	Verified	Confirmed	
Date	27/02/2014	01/12/2021	01/12/2021	
Initials	SD	SD	PJ	


Glue with H900009



Right side depicted

Sheet 2/3

2992223

FOLDABLE QUICK RELEASE ARMREST				Plan No.
				E000946 / R
Scale: 1:4	Drafted	Verified	Confirmed	
Date	27/02/2014	01/12/2021	01/12/2021	
Initials	SD	SD	PJ	


E000946 / R

				Material																	
No.	Plan	Article	Quantity	No.	Plan	Article	Quantity	No.	Plan	Article	Quantity										
1	X002112	1001491	2	21A	Y020645	2003054 (R)	1	43	M6x6 ISO7380	1906051	2										
2a	X003700	1998790 (R)	1		Y020644	2002954 (L)	1	44*	2,0 m	1912412	1										
	X003699	1998789 (L)	1	21B	Y020719	2003854 (R)	1	45*	1,5 m	1912299	1										
2b	Black skai	1913931 (R)	1		Y020718	2003754 (L)	1	46*	0,5 m	1912303	2										
	Black skai	1913930 (L)	1	21C	Y023363	2055254 (R)	1	* Not depicted <div style="border: 1px solid black; padding: 5px; margin-top: 10px;"> <p>Notes</p> <p>21A - Regular models 21B - SUD size 45 21C - SUD size 40</p> <table border="1" style="width: 100%; border-collapse: collapse;"> <thead> <tr> <th>Configuration</th> <th>Cables</th> </tr> </thead> <tbody> <tr> <td>SU (stand-up)</td> <td>1x44 - 1x45</td> </tr> <tr> <td>SE42 (lift)</td> <td>1x44 - 1x45</td> </tr> <tr> <td>SE09 / SU</td> <td>1x44 - 1x45 - 2x46</td> </tr> <tr> <td>SE09 / SE42</td> <td>1x44 - 1x45 - 2x46</td> </tr> </tbody> </table> </div>				Configuration	Cables	SU (stand-up)	1x44 - 1x45	SE42 (lift)	1x44 - 1x45	SE09 / SU	1x44 - 1x45 - 2x46	SE09 / SE42	1x44 - 1x45 - 2x46
Configuration	Cables																				
SU (stand-up)	1x44 - 1x45																				
SE42 (lift)	1x44 - 1x45																				
SE09 / SU	1x44 - 1x45 - 2x46																				
SE09 / SE42	1x44 - 1x45 - 2x46																				
	Soft grey	1911556 (R)	1		Y023362	2055154 (L)	1														
	Soft grey	1911555 (L)	1	22	M8X35 DIN933	1001444	1														
3	X004423	1717300	1	23	M6X16 DIN912	1001492	2														
4	X004736	1905736	2	24	---	1001581	1														
5	X004997	1773200	1	25	---	1001616	2														
6	X005004	1773354	1	26	M6 DIN985	1001680	2														
7	X005100	G116500 (St.)	1	27	M8 DIN125	1001556	1														
	X004992	G116300 (Option)	1	28	X005401	1910679	1														
8	X005213	1910168	1	29	M6X20 ISO7380	1006999	2														
9	X005215	1910104 (R)	1	30	M6X12 ISO7380	1007000	4														
	X005216	1910105 (L)	1	31	D3x10	1008674	1														
10	X005272	1798600	1	32	M10X1 DIN934	1901345	1														
11	X005273	1791000	1	33	M6X16 DIN7991	1994752	1														
12	XP00190	2990049 (L)	1	34	M5X12 DIN912	1001489	2														
	XP00085	2990047 (R)	1	35	P000027	1908428	1														
13	Y018161	17694.. (R)	1	36	SE39	1912301	1														
	Y017339	17693.. (L)	1		SE39-SE19	1912296	1														
14	Y018173	1770254	1		SE39-SE19-ACT	1912305	1														
15	Y018397	17696.. (R)	1		LCD	1913523	1														
	Y018394	17695.. (L)	1		Drive only	1910700	1														
16	Y021992	2021854	1	38	M4x4 DIN916	1910674	1														
17	X005367	1910362	1	39	---	1900072	2														
18	Y020143	2002854	2	40	M6x20 DIN912	1001493	1														
19	X004994	1773154	1	42	Y021389	2012054	1														
20	Y020367	20026 (R)	1																		
	Y020368	20027 (L)	1																		
20A	X005214	G118254	1																		
20B	X005270	G001183	1																		
20C	X005282	G101900	1																		

Sheet 3/3

2992223

E000946 / R

FOLDABLE QUICK RELEASE ARMREST				Plan No.
				E000946 / R
Scale: 1:4	Drafted	Verified	Confirmed	
Date	27/02/2014	01/12/2021	01/12/2021	
Initials	SD	SD	PJ	