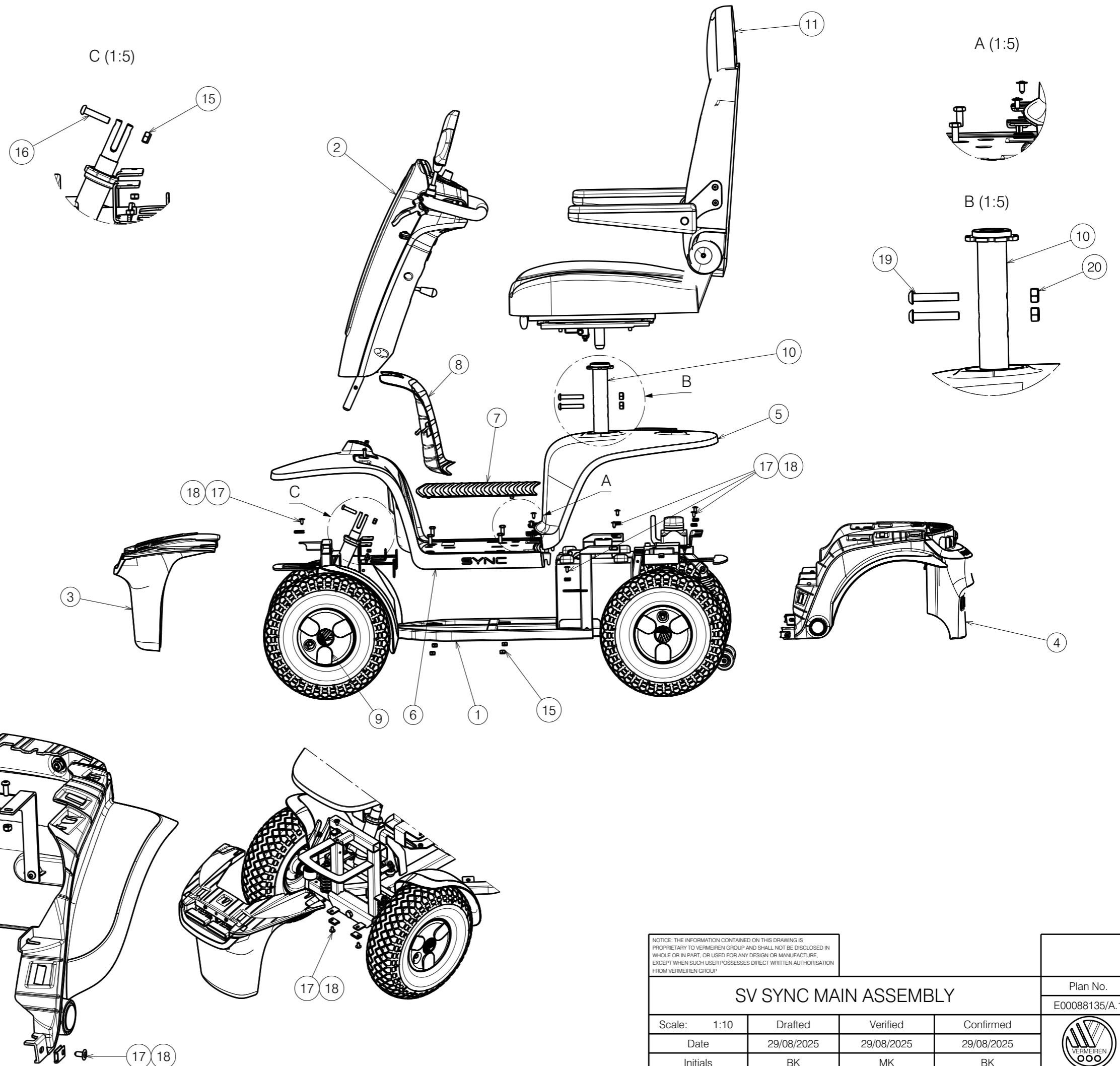


No.	Plan	Article	Qty
1	E00114597	-	1
2	E00081324	-	1
3	E00108117	-	1
4	E00108119	-	1
5	E00108120	-	1
6	E00108126	-	1
7	MIDDLE CARPET	2998628	1
8	FRONT CARPET	2998632	1
9	HUBCAP	27115	4
10	SEAT TUBE	1922747	1
11	SEAT	1922746	1
12	SCREW M6X20 ISO7380	2994010	2
13	NUT M6 DIN985 BLACK	3991110	4
14	SCREW M8X20 DIN933	1009400	4
15	NUT M8 DIN985 BLACK	3991743	5
16	SCREW M8X35 ISO7380	1993236	1
17	SCREW W134 D6.2X14	3991368	13
18	CLAMP	3991351	13
19	1907128	1907128	2
20	NUT M10 DIN985	1001683	2
21	M6X16 ISO7380 BLACK	2994067	2



NOTICE: THE INFORMATION CONTAINED ON THIS DRAWING IS PROPRIETARY TO VERMEIREN GROUP AND SHALL NOT BE DISCLOSED IN WHOLE OR IN PART, OR USED FOR ANY DESIGN OR MANUFACTURE, EXCEPT WHEN SUCH USER POSSESSES DIRECT WRITTEN AUTHORIZATION FROM VERMEIREN GROUP.

SV SYNC MAIN ASSEMBLY			
Scale: 1:10	Drafted	Verified	Confirmed
Date	29/08/2025	29/08/2025	29/08/2025
Initials	BK	MK	BK

Plan No.  
E00088135/A.1