

No.	Plan	Article	Qty				
1	P00099416	2914304	1	33	WASHER M6 DIN125	1001564	2
2	XC00483	3991953	1	34	NUT M6 DIN985	1001680	2
3	FRONT COVER	29033...	1	35	RUBBER BUTTON	3991936	1
4	REAR COVER	2998616	1	36	KNOB CAP	3992554	1
5	UPPER COVER	2998617	1	37	CLAMP BN 53580	2996203	1
6	P00081586	2912600	1	38	SCREW DIN7982	3991135	2
7	EMBLEMAT	2993999	1	39	P00117933	2992548	2
8	P00101136	2910326	1	40*	BREAK SET	3992239	1
9	PIN DIN 1481 D8X26	2996236	1	41*	MIRROR LEFT	3990651	1
10	P00104663	2912700	1	42*	MIRROR RIGHT	3990652	1
11	P00104662	2912800	1	43*	LINE BUSHING	2996301	1
12	CLAMP	2998666	2	44	VELCRO	3991102	1
13	BN 20173 40x12	2998563	14	45	VELCRO	1990369	1
14	WASHER M4 DIN125	1003303	8	49**	E00103963	-	1
15	SCREW M4X20 DIN7985	1991859	2	50	RIVET NUT	2998739	1
16	Nut M4	1001678	2	51	P00117054	2919204	1
17	SPEED LEVER	3991952	1	52	BOLT M8X25 ISO7380	1990501	1
18	SCREW DIN916 M5X8	3993323	1	53	WASHER M6 DIN7349	1003321	1
19	GAS SPRING	3990633	1	54	BOLT M6X16 ISO7380	1008459	1
20	YC00632	1C23100	1	55	P00116514	2919304	1
21	PLASTIC WASHER BIG	3990725	2	56	BOLT M3X6 DIN 7985	3991082	4
22	XC00677	1C212	1				
23	SCREW DIN7984 M8X50	3991313	3				
24	Washer M8 DIN126	1001554	1				
25	Lock Washer DIN127A M8	1001570	3				
26	PLASTIC WASHER SMALL	3990726	2				
27	NUT M8 DIN985	3991743	3				
28	GAS SPRING LEVER	3990724	1				
29	PIN GB/T	3990727	1				
30	BRAKE HANDLE	1001143	1				
31	SCREW M4X20 DIN7985	3992611	2				
32	SCREW M6X35 DIN912	1903903	2				

* - Option (do not use 39 if 41 and 42 were chosen;
use only 1 pc of 39 if 40 was chosen).

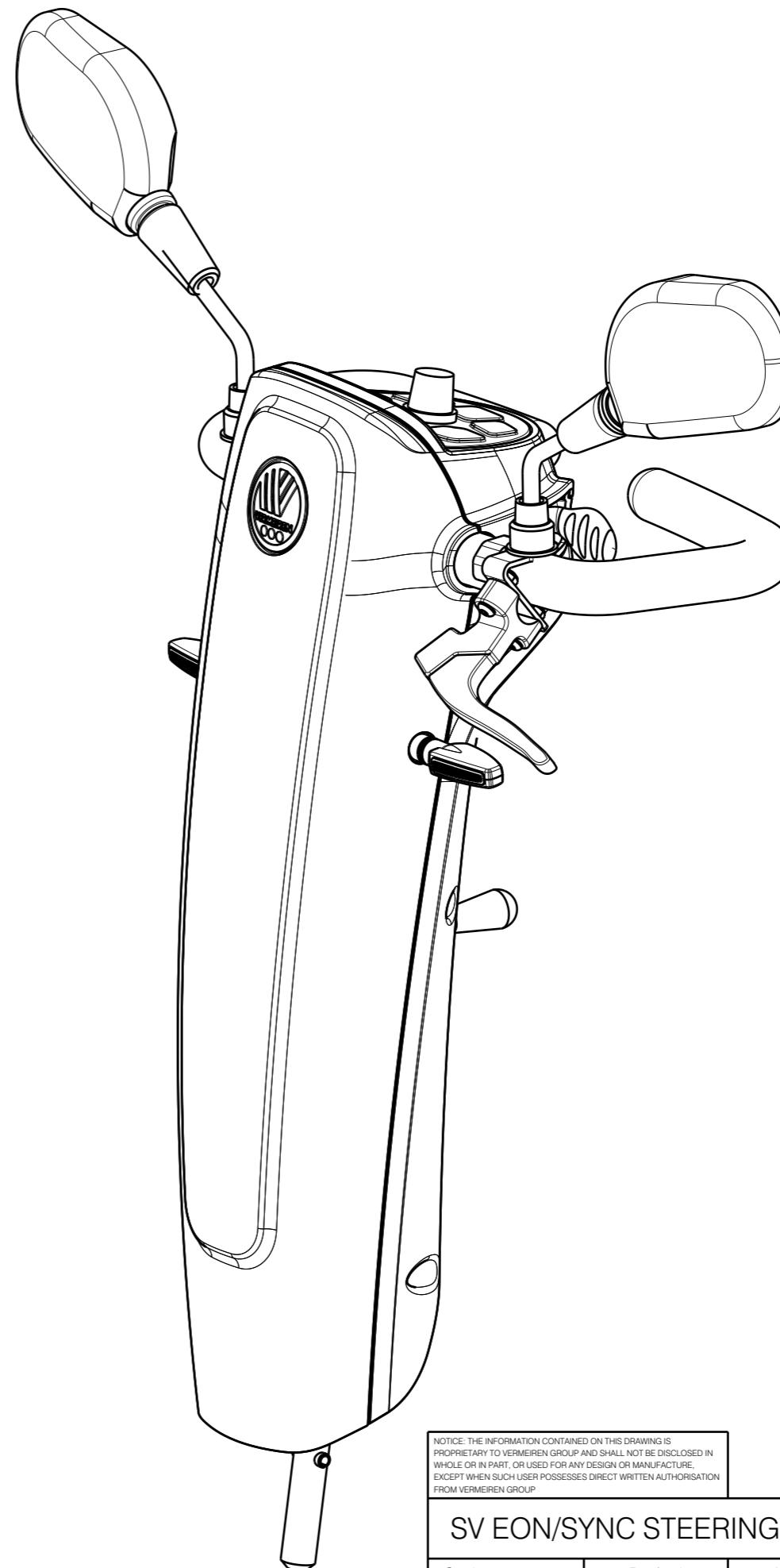
43* Cable line bushing only with 40* Brake set

** - Front Basket, non depicted, option, E00125348.
For Front Basket is needed to drill holes.

Electrical components are presented:

- 2998657 [EON]

- 2998655 [SYNC]



NOTICE: THE INFORMATION CONTAINED ON THIS DRAWING IS
PROPRIETARY TO VERMEIREN GROUP AND SHALL NOT BE DISCLOSED IN
WHOLE OR IN PART, OR USED FOR ANY DESIGN OR MANUFACTURE,
EXCEPT WHEN SUCH USER POSSESSES DIRECT WRITTEN AUTHORIZATION
FROM VERMEIREN GROUP

SHEET 1/3

SV EON/SYNC STEERING COLUMN COMPL.

Plan No.

E00081324/C.1

Scale: 1:5

Drafted

Verified

Confirmed

Date

21/07/2025

29/04/2026

29/04/2026

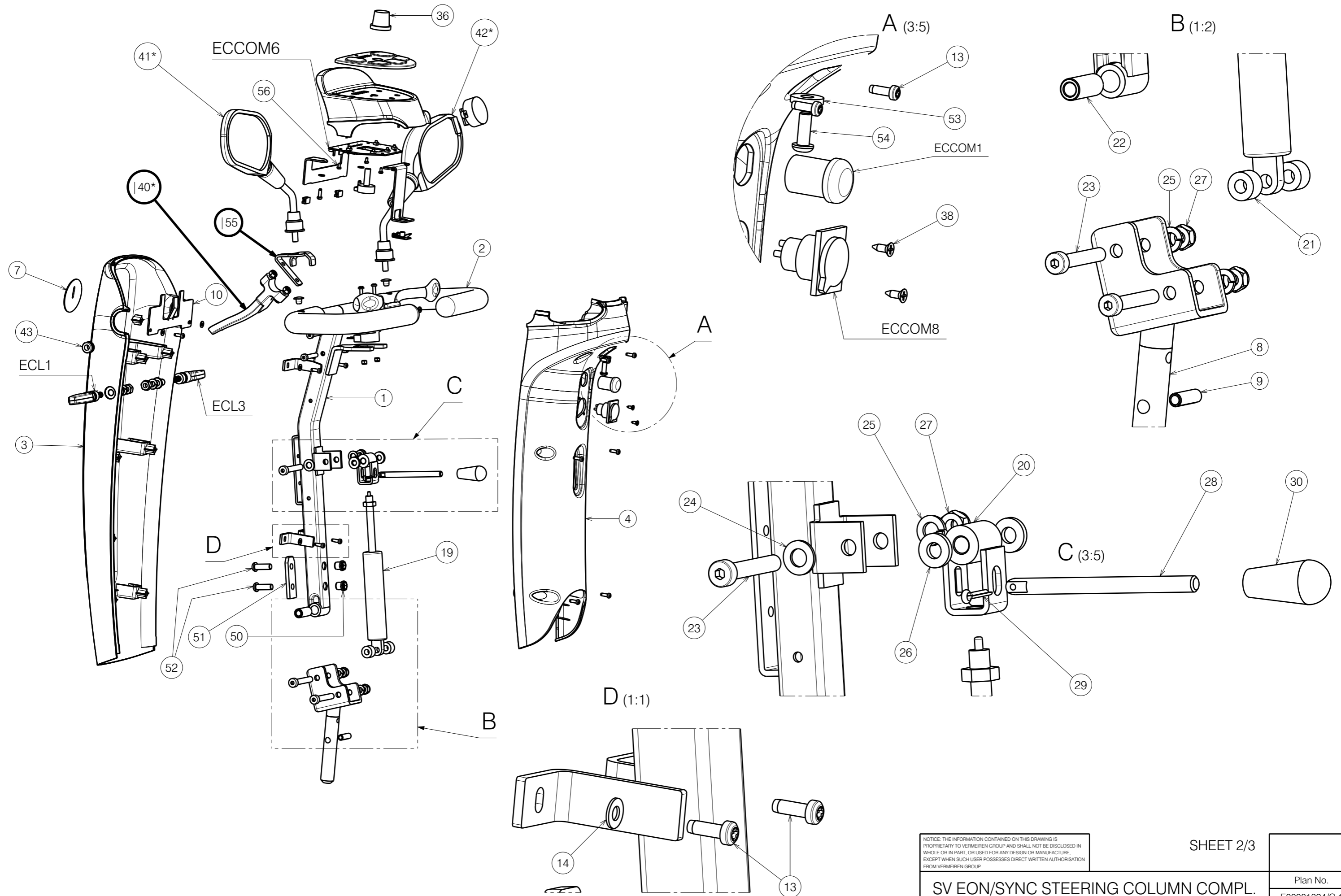
Initials

BK

BK

MK





NOTICE: THE INFORMATION CONTAINED ON THIS DRAWING IS PROPRIETARY TO VERMEIREN GROUP AND SHALL NOT BE DISCLOSED IN WHOLE OR IN PART, OR USED FOR ANY DESIGN OR MANUFACTURE, EXCEPT WHEN SUCH USER POSSESSES DIRECT WRITTEN AUTHORIZATION FROM VERMEIREN GROUP.

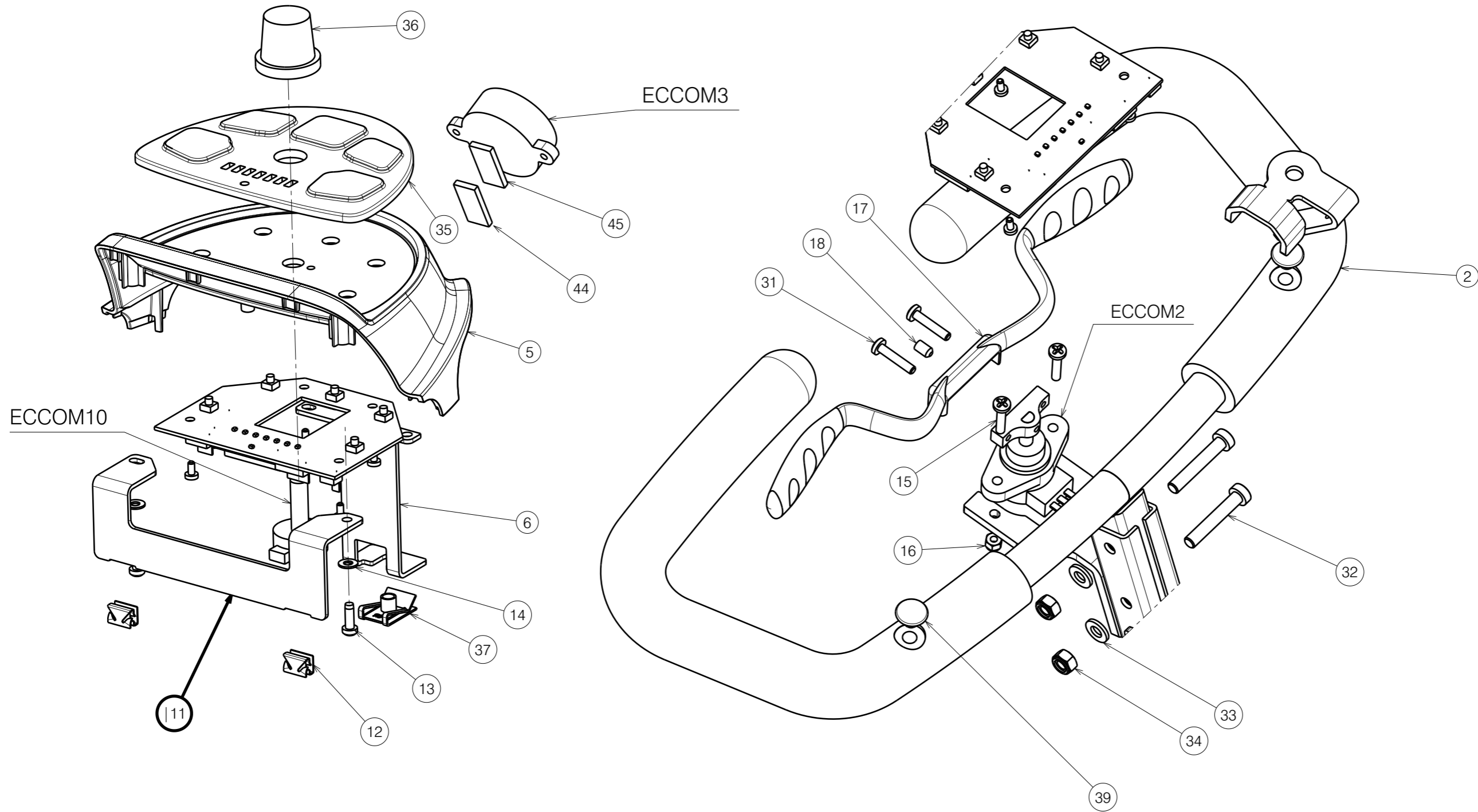
SHEET 2/3

SV EON/SYNC STEERING COLUMN COMPL.

Plan No.
E00081324/C.1

Scale:	1:5	Drafted	Verified	Confirmed
Date	21/07/2025	29/04/2026	29/04/2026	
Initials	BK	BK	MK	





NOTICE: THE INFORMATION CONTAINED ON THIS DRAWING IS PROPRIETARY TO VERMEIREN GROUP AND SHALL NOT BE DISCLOSED IN WHOLE OR IN PART, OR USED FOR ANY DESIGN OR MANUFACTURE, EXCEPT WHEN SUCH USER POSSESSES DIRECT WRITTEN AUTHORIZATION FROM VERMEIREN GROUP.

SHEET 3/3

SV EON/SYNC STEERING COLUMN COMPL.

Plan No.
E00081324/C.1

Scale:	1:2	Drafted	Verified	Confirmed
Date	21/07/2025	29/04/2026	29/04/2026	
Initials	BK	BK	MK	

