


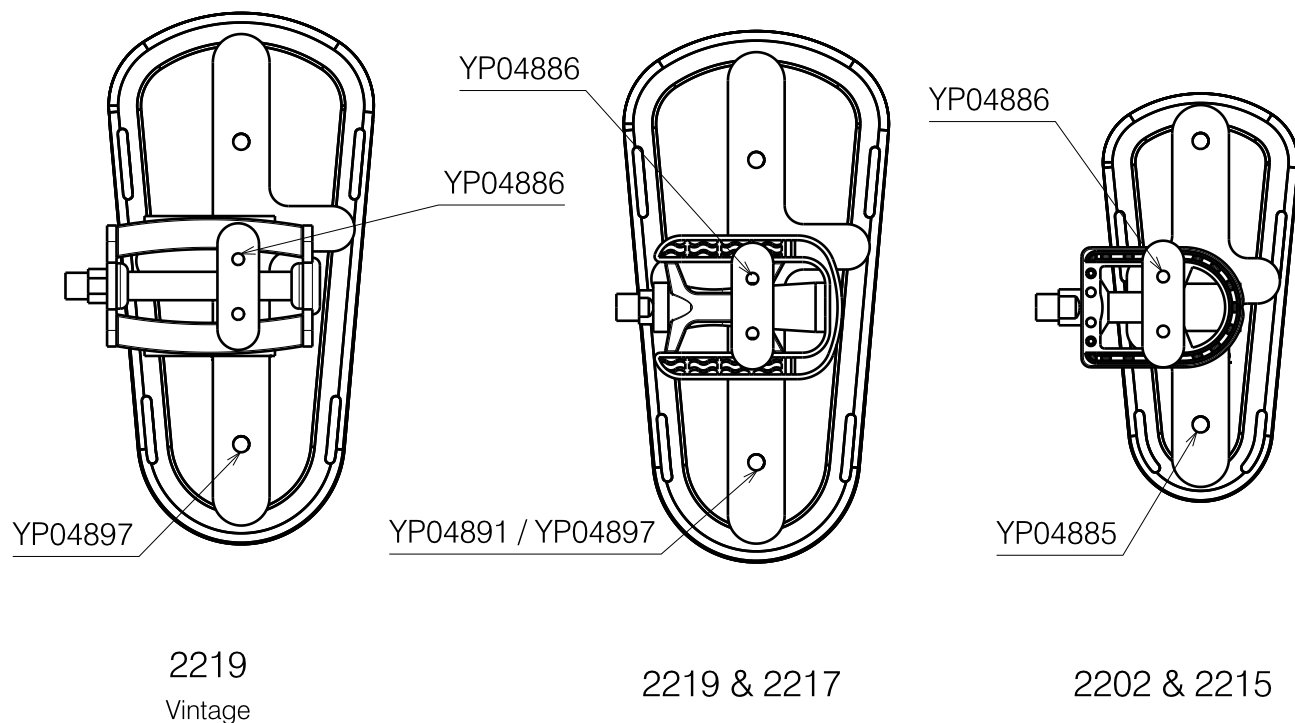
EP00178 / J

Only one side depicted / Pokazano tylko jedna strona

FOOTREST OPTIONS TRICYCLES				Plan No.
OPCJE MOCOWANIA NOGI			Sheet 1/2	EP00178/ J
Scale: 1:4	Drafted	Verified	Confirmed	
Date	15/07/2014	10/04/2018	10/04/2018	
Initials	WM	PM	TK	

MOUNTING FOOTREST ON PEDAL


MONTAZ PODNOZKA NA PEDALE



Material				
No.	Plan	Article		Quantity
1	YP04886	2890900	**	1
2	YP04885	2890804 (S)		1
	YP04891	2891204(M)		1
	YP04897	2891604 (L)		1
	YP04884	2890704 (S)	*	1
3	YP04890	2891104(M)	*	1
	YP04896	2891504 (L)	*	1
	YP04882	2890604 (S)	*	1
4	YP04898	2891704 (L)	*	1
	YP04881	2890504 (S)	*	1
	YP04888	2891004(M)	*	1
5	YP04894	2891404 (L)	*	1
	X001016	1001682		2
	XP01286	2992329 (S)		1
6	XP01287	2992330 (M)		1
	XP01288	2992331 (L)		1
	M5 DIN 125	1001550		4
7	M8 DIN 125B	1001556		2
	M6	1001680		1
8	M8X25 DIN 7991	1995598		2
	XP01948	2993707 (S)		1
9	XP01950	2993709 (M)		1
	XP01952	2993711 (L)		1
	---	2992357 (S)	*	1
10	---	2992355 (M)	*	1
	---	2992353 (L)	*	1
	M5x16 DIN 603	2992915		4
11	Knob M5	2992916		3
	M6x60 DIN964	2990055		2
12	X001335	1400700		1
	XP01949	2993708 (S)		1
13	XP01951	2993710 (M)		1
	XP01953	2993712 (L)		1

EP00178 / J

** for XP01288, 3 pieces / dla XP01288, 3 sztuki
 * Only with leg fixation / tylko ze stabilizacja nogi
 Only one side depicted / Pokazano tylko jedna strone

FOOTREST OPTIONS TRICYCLES				Plan No.
OPCJE MOCOWANIA NOGI				EP00178/ J
Scale: 1:4	Drafted	Verified	Confirmed	
Date	15/07/2014	10/04/2018	10/04/2018	
Initials	WM	PM	TK	