

Use lubricant
W301020

Tighten with torque wrench
(W600159) - 9 Nm

Glue with H900009


Detail B
Scale: 1:2

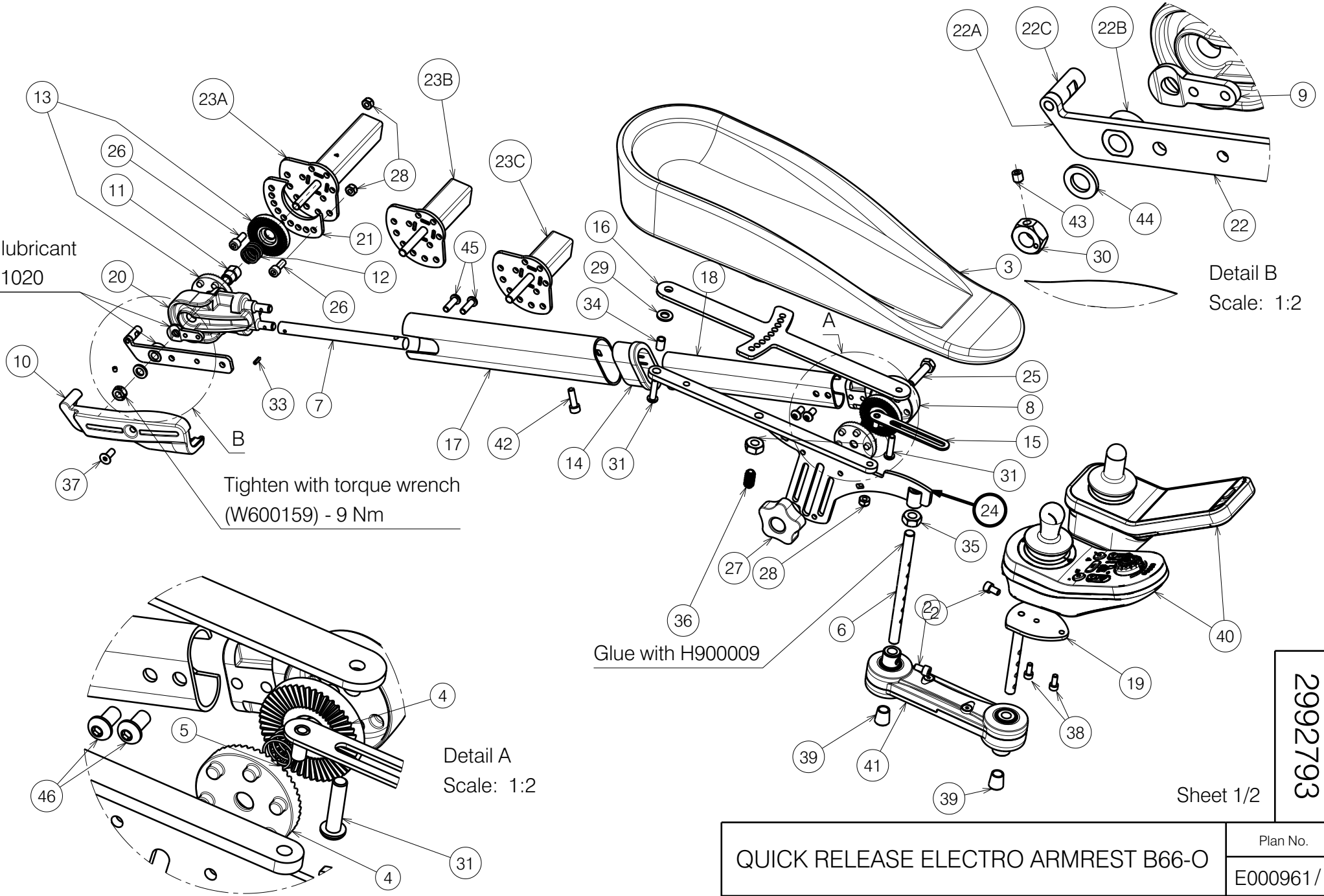
Detail A
Scale: 1:2

Sheet 1/2

2992793

E000961 / I

QUICK RELEASE ELECTRO ARMREST B66-O				Plan No. E000961 / I
Scale: 1:5	Drafted	Verified	Confirmed	
Date	28/05/2014	6/11/2024	6/11/2024	
Initials	SD	PM	MK	



Material


No.	Plan	Article	Quantity	No.	Plan	Article	Quantity	
1	X001050	1001676	1	23C		Y023363	2055254 (R)	1
2	X002112	1001491	2			Y023362	2055154 (L)	1
3	X003872	1901134	1	24		Y020856	2004254 (R)	1
4	X004736	1905736	2			Y020857	2004354 (L)	1
5	X004423	1717300	1	25		M8x35 DIN933	1001444	1
6	X004992	G116300	1	26		M6x16 DIN912	1001492	2
7	X004997	1773200	1	27		M8	1001581	1
8	X005004	1773354	1	28		M6 DIN985	1001680	3
9	X005213	1910168	1	29		M8 DIN125	1003199	1
10	X005215	1910104 (R)	1	30		X005401	1910679	1
	X005216	1910105 (L)	1	31		M6x25 ISO7380	1006998	2
11	X005272	1798600	1	33		∅3x10	1008674	1
12	X005273	1791000	1	34		---	1418700	1
13	X005367	1910362	2	35		M10x1	1901345	1
14	XP00190	2990049 (L)	1	36		M10x19	1991432	1
	XP00085	2990047 (R)	1	37		M6x10 DIN912	1994752	1
15	Y012556	1676100	1	38		M5x12 DIN912	1001489	2
16	Y012555	1676204	1	39		X005419	1910801	2
17	Y018161	17694.. (R)	1	40		SE39	1912301	1
	Y017339	17693.. (L)	1			SE39-SE19	1912296	1
18	Y018397	17696.. (R)	1			SE39-SE19-ACT	1912305	1
	Y018394	17695.. (L)	1	41		P000027	1908428	1
19	Y021992	2021854	1	42		M6x20 DIN912	1001493	1
20	X004994	1773154	1	43		M4x4 DIN916/45H	1910674	1
21	Y020143	2002854	1	44		M8 DIN125	1001556	1
22	Y020367	20026 (R)	1	45		M6x20 ISO7380	1006999	2
	Y020368	20027 (L)	1	46		M6x12 ISO7380	1007000	2
22A	X005214	G118254	1					
22B	X005270	G001183	1					
22C	X005282	G101900	1					
23A	Y020645	2003054 (R)	1					
	Y020644	2002954 (L)	1					
23B	Y020719	2003854 (R)	1					
	Y020718	2003754 (L)	1					

Notes
23A - Regular models
23B - SUD size 45
23C - SUD size 40

2992793

Sheet 2/2

E000961 / I

QUICK RELEASE ELECTRO ARMREST B66-O				Plan No.
				E000961 / I
Scale: 1:5	Drafted	Verified	Confirmed	
Date	28/05/2014	6/11/2024	6/11/2024	
Initials	SD	PM	MK	