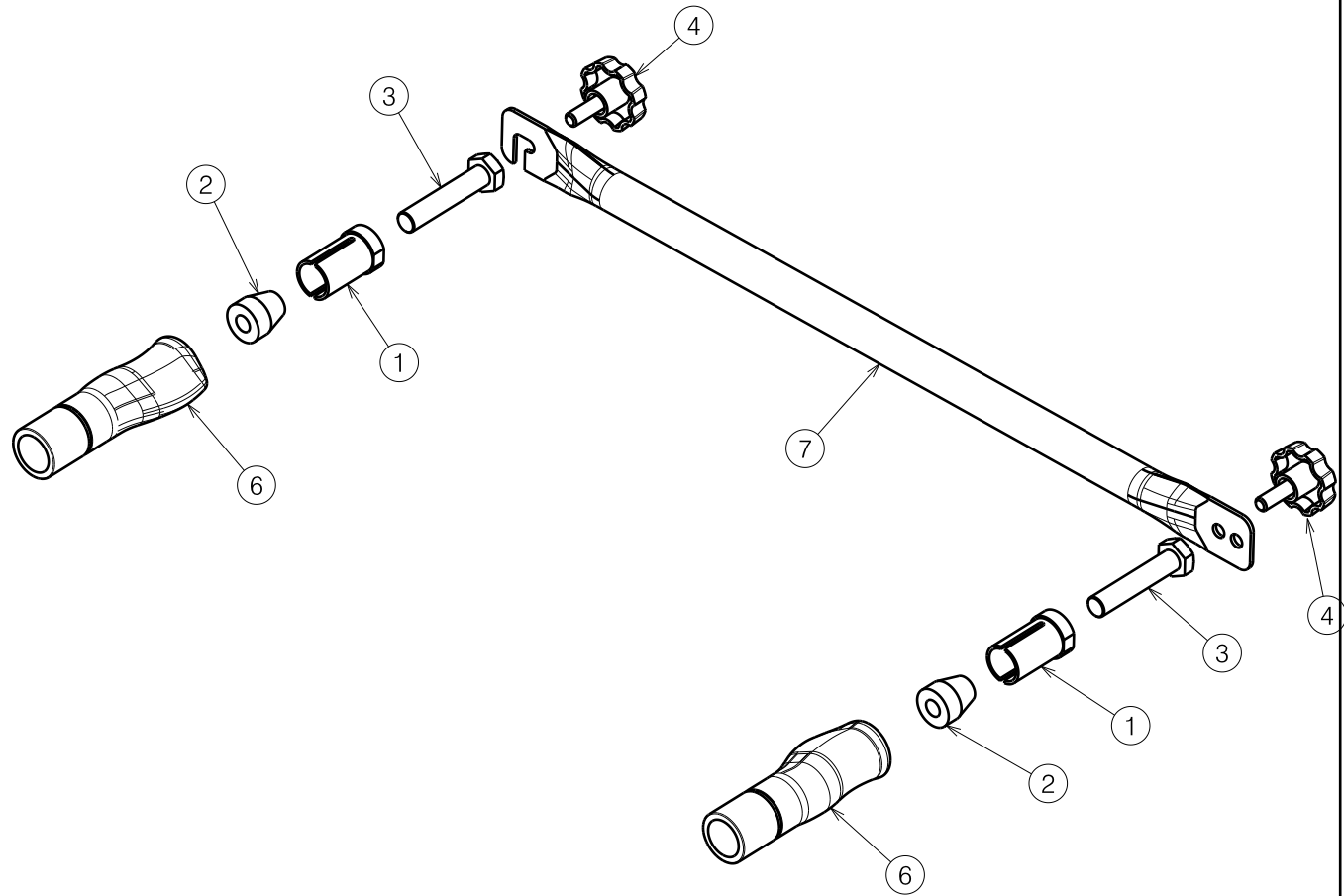


Material			
No.	Plan	Article	Quantity
1	X002532	1528800 (1)	2
	X004926	1758600 (2)	2
	X002528	1528400 (3)	2
	X004922	1758400 (4)	2
	X002530	1528600 (5)	2
2	X002533	1528900 (1)	2
	X004927	1758700 (2)	2
	X002529	1528500 (3)	2
	X004923	1758500 (4)	2
	X002531	1528700 (5)	2
3	X002527	1528300	2
4	---	1001580	2
6	---	F006491 (*)	2
	---	F002907 (**)	2
7	Y020155	1791654 (38)	1
	Y004761	1521754 (39)	1
	Y020156	1791754 (40)	1
	Y004762	1521854 (42)	1
	Y004763	1521954 (44)	1
	Y004764	1522054 (46)	1
	Y004765	1522154 (48)	1
	Y004766	1522254 (50)	1
	Y020157	1791854 (52)	1



(1) V100 / Jazz S50

(2) V100D / D100 / D200

(3) V200 / V300 / V500 / Eclips+ / Eclips X4


(4) V200D / V300D / D400

(5) 708D / Express

(\*) V100 / V200D / V300D / D400 / Jazz S50

(\*\*) V100D / V200 / V300 / V500 / D100 / D200 / Eclips+ / Eclips X4 / 708D / Express

E000734 / E

B90 UNIVERSAL PUSH BAR B90 UNIVERSELE DUWBEUGEL				Plan No. E000734 / E
Scale: 1:4	Drafted	Verified	Confirmed	
Date	10/06/2011	07/11/2019	07/11/2019	
Initials	SD	TT	PJ	