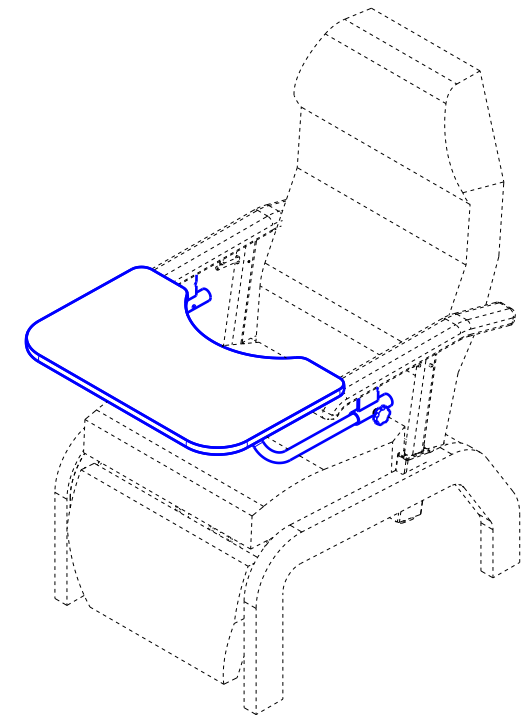



Material			
No.	Plan	Article	Quantity
1	YP09503	2659965	1
2	YP09504	2660065	1
3	YP08636	2624101	1
4	X001473	1002994	8
5	XP03141 (Beech)	HP00682	1
	XP03142 (Oxide)	HP00683	1
6	D4.8x19 DIN 7983	1001534	8
7	M6x35	1006057	4
8	Sterknop M8x12	1999934	2



EP00541 / B

TABLE FOR BRETANGE				Plan No.
Scale: 1:6	Drafted	Verified	Confirmed	1/2 EP00541 / B
Date	08/10/2020	13/10/2022	13/10/2022	
Initials	AZ	PM	AZ	

POSITION OF THE TABLE TOP / POZYCJA BLATU STOLIKA

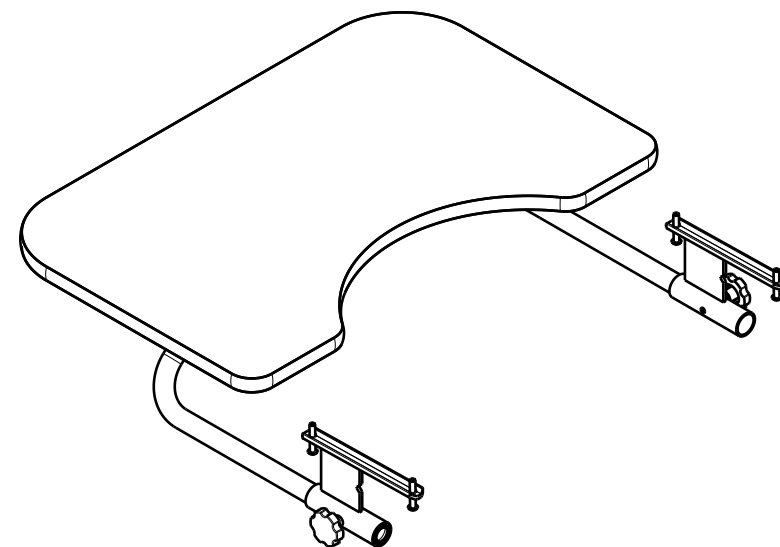
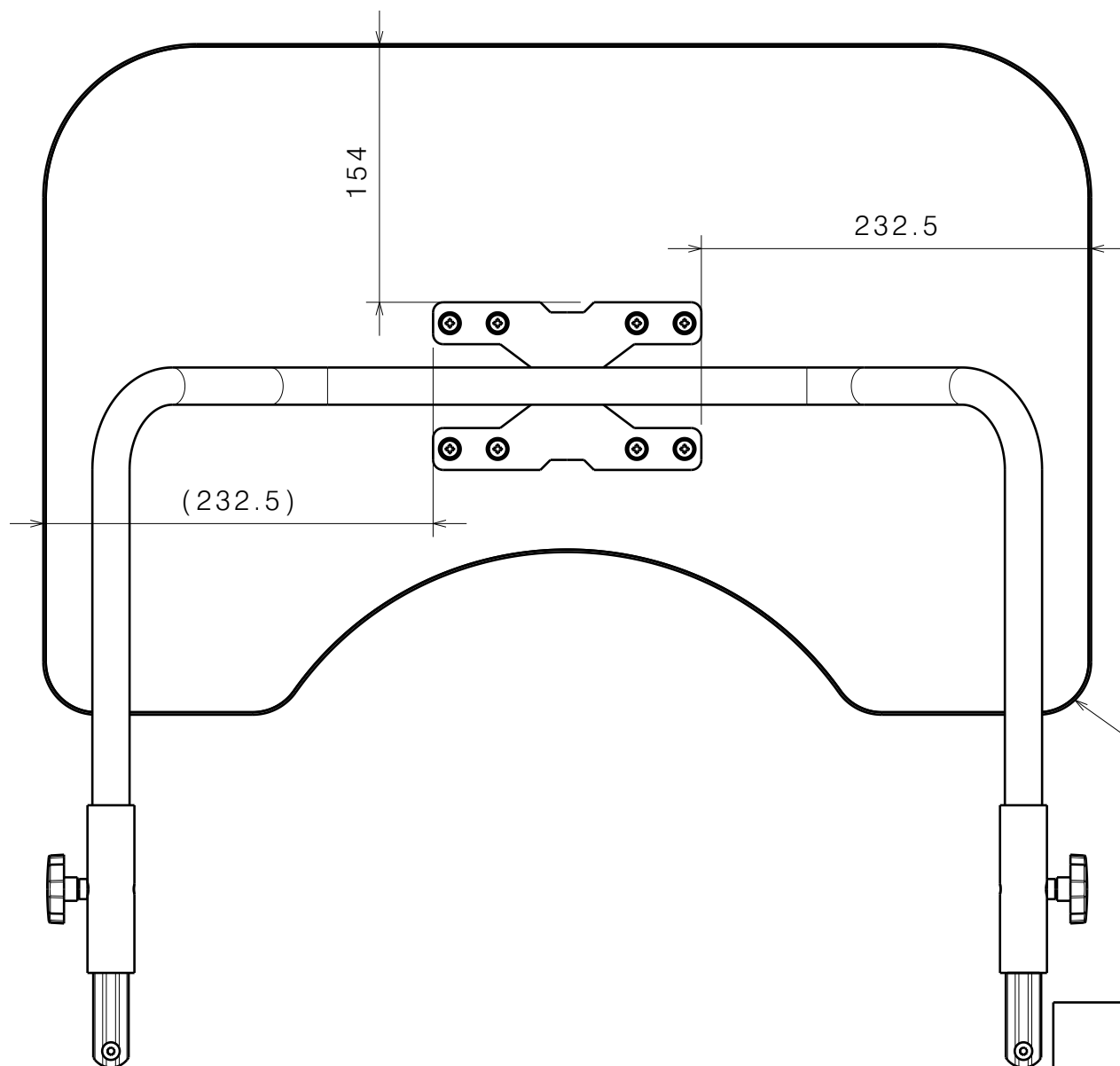



Table Top / Blat stolika

EP00541 / B

TABLE FOR BRETANGE				Plan No.
				2/2 EP00541 / B
Scale: 1:6	Drafted	Verified	Confirmed	
Date	08/10/2020	13/10/2022	13/10/2022	
Initials	AZ	PM	AZ	