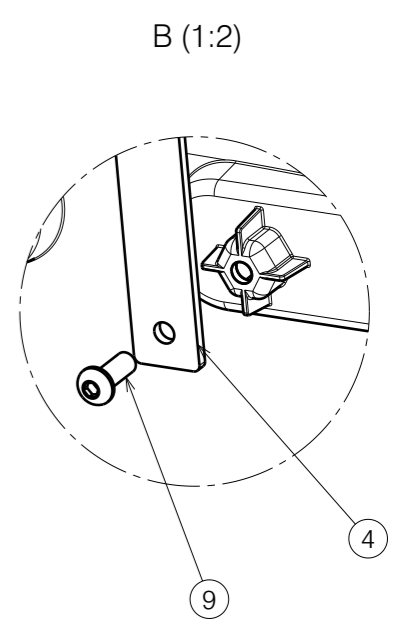
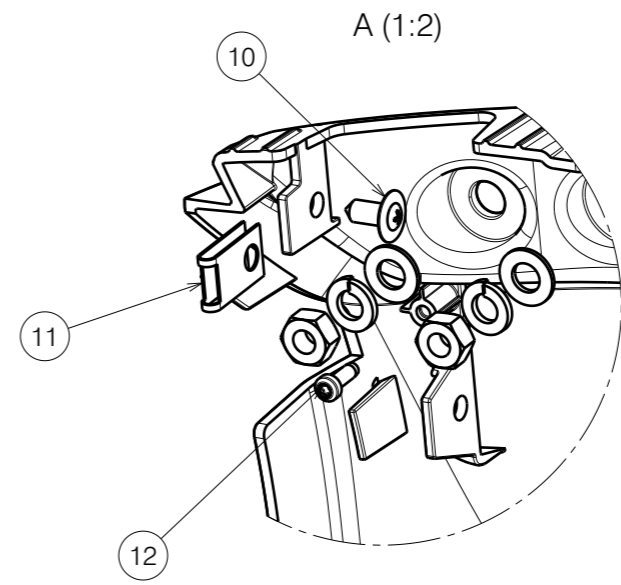
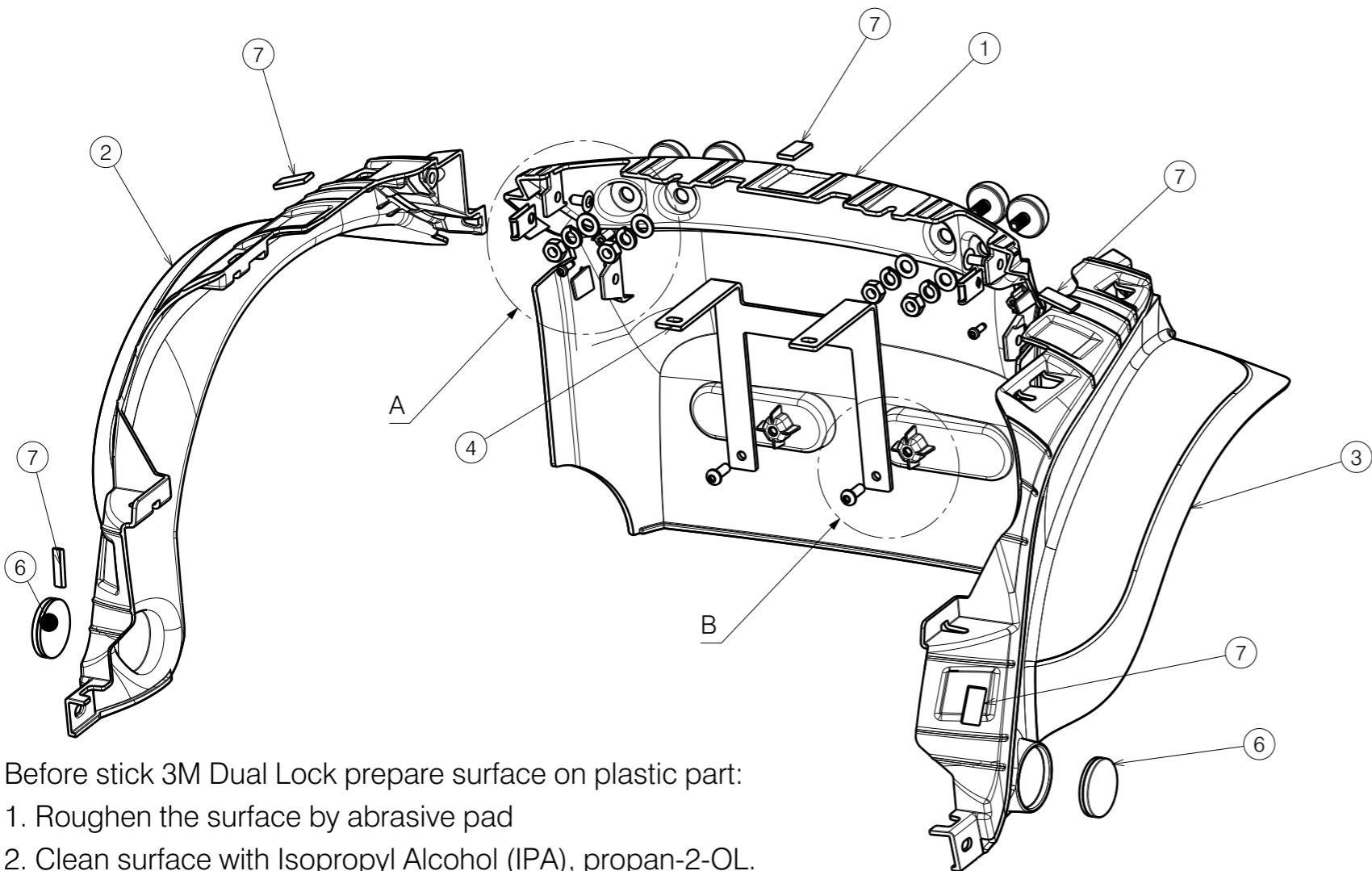
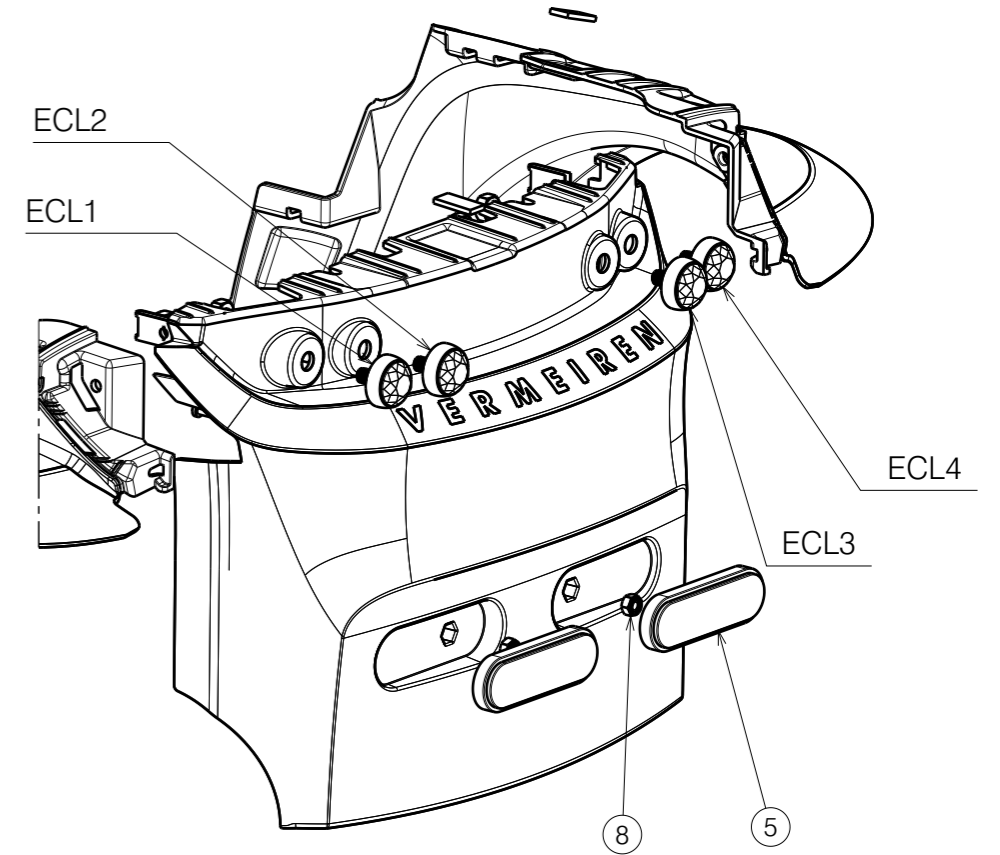


No.	Plan	Article	Qty
1	REAR BUMPER	2998623	1
2	RIGHT FENDER	2998622	1
3	LEFT FENDER	2998624	1
4	P00112060	2913004	1
5	P00076122	1921511	2
6	REFLECTOR ORANGE D39	1999997	2
7	DUAL LOCK 3M 15x25mm	2998521	5
8	NUT M6 DIN985	3991110	2
9	SCREW M6x16	2994067	2
10	SCREW D6.2X14	3991368	2
11	CLAMP	3991351	2
12	BN 20173 40x12	2998563	2



Before stick 3M Dual Lock prepare surface on plastic part:

1. Roughen the surface by abrasive pad
2. Clean surface with Isopropyl Alcohol (IPA), propan-2-OL.
3. Press 3M Dual Lock after stick

NOTICE: THE INFORMATION CONTAINED ON THIS DRAWING IS PROPRIETARY TO VERMEIREN GROUP AND SHALL NOT BE DISCLOSED IN WHOLE OR IN PART, OR USED FOR ANY DESIGN OR MANUFACTURE, EXCEPT WHEN SUCH USER POSSESSES DIRECT WRITTEN AUTHORIZATION FROM VERMEIREN GROUP.

SV SYNC REAR BUMPER SUBASSY				Plan No. E00108119/A.2
Scale:	1:4	Drafted	Verified	Confirmed
Date	29/08/2025	16/01/2026	16/01/2026	
Initials	BK	BK	MK	

