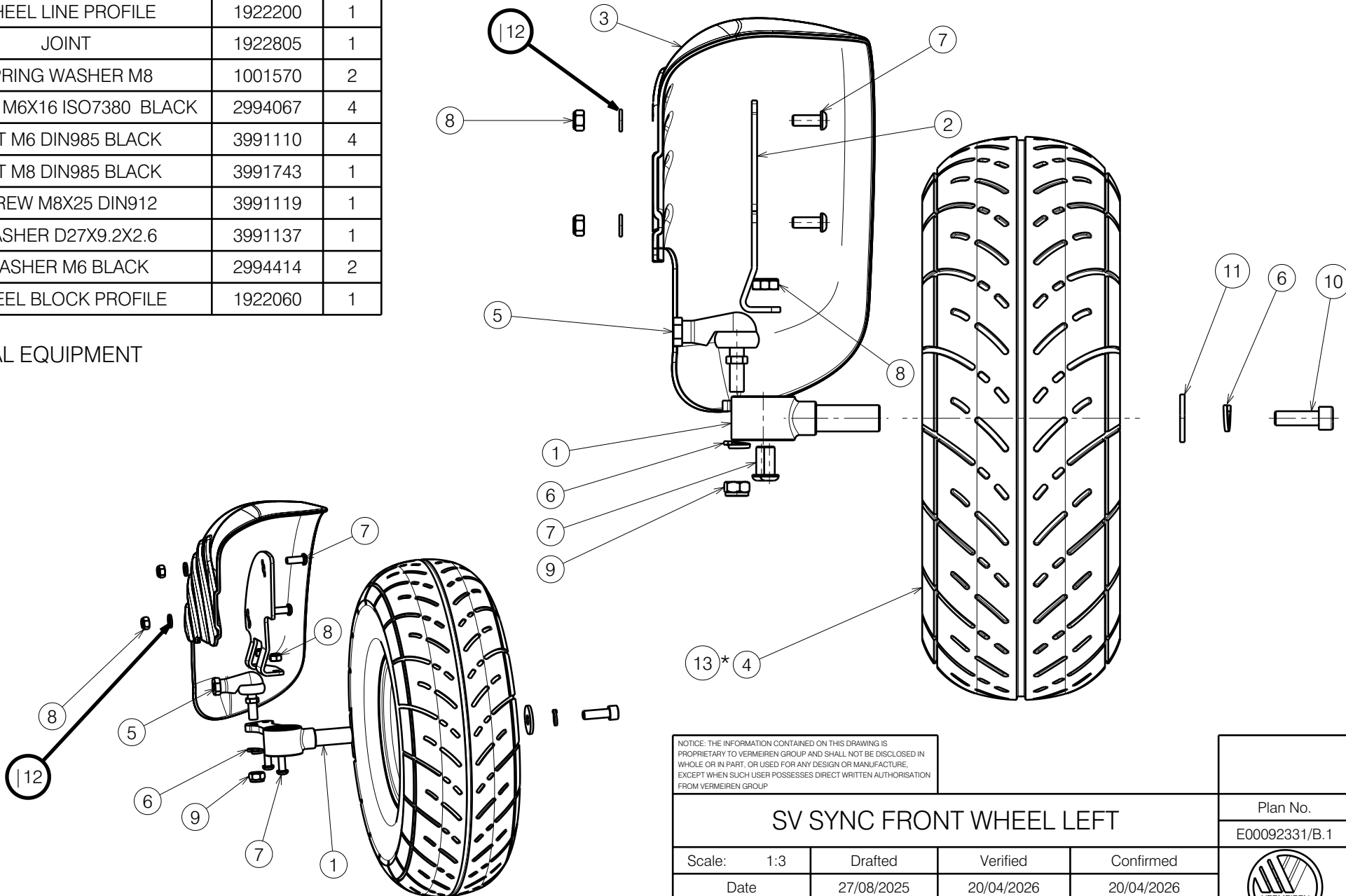



No.	Plan	Article	Qty
1	P00107191	2998728	1
2	P00101200	2913205	1
3	P00100877	2998635	1
4	WHEEL LINE PROFILE	1922200	1
5	JOINT	1922805	1
6	SPRING WASHER M8	1001570	2
7	SCREW M6X16 ISO7380 BLACK	2994067	4
8	NUT M6 DIN985 BLACK	3991110	4
9	NUT M8 DIN985 BLACK	3991743	1
10	SCREW M8X25 DIN912	3991119	1
11	WASHER D27X9.2X2.6	3991137	1
12	WASHER M6 BLACK	2994414	2
13*	WHEEL BLOCK PROFILE	1922060	1

\* - OPTIONAL EQUIPMENT



NOTICE: THE INFORMATION CONTAINED ON THIS DRAWING IS PROPRIETARY TO VERMEIREN GROUP AND SHALL NOT BE DISCLOSED IN WHOLE OR IN PART, OR USED FOR ANY DESIGN OR MANUFACTURE, EXCEPT WHEN SUCH USER POSSESSES DIRECT WRITTEN AUTHORISATION FROM VERMEIREN GROUP.

SV SYNC FRONT WHEEL LEFT				Plan No.
				E00092331/B.1
Scale: 1:3	Drafted	Verified	Confirmed	
Date	27/08/2025	20/04/2026	20/04/2026	
Initials	BK	PM	MK	