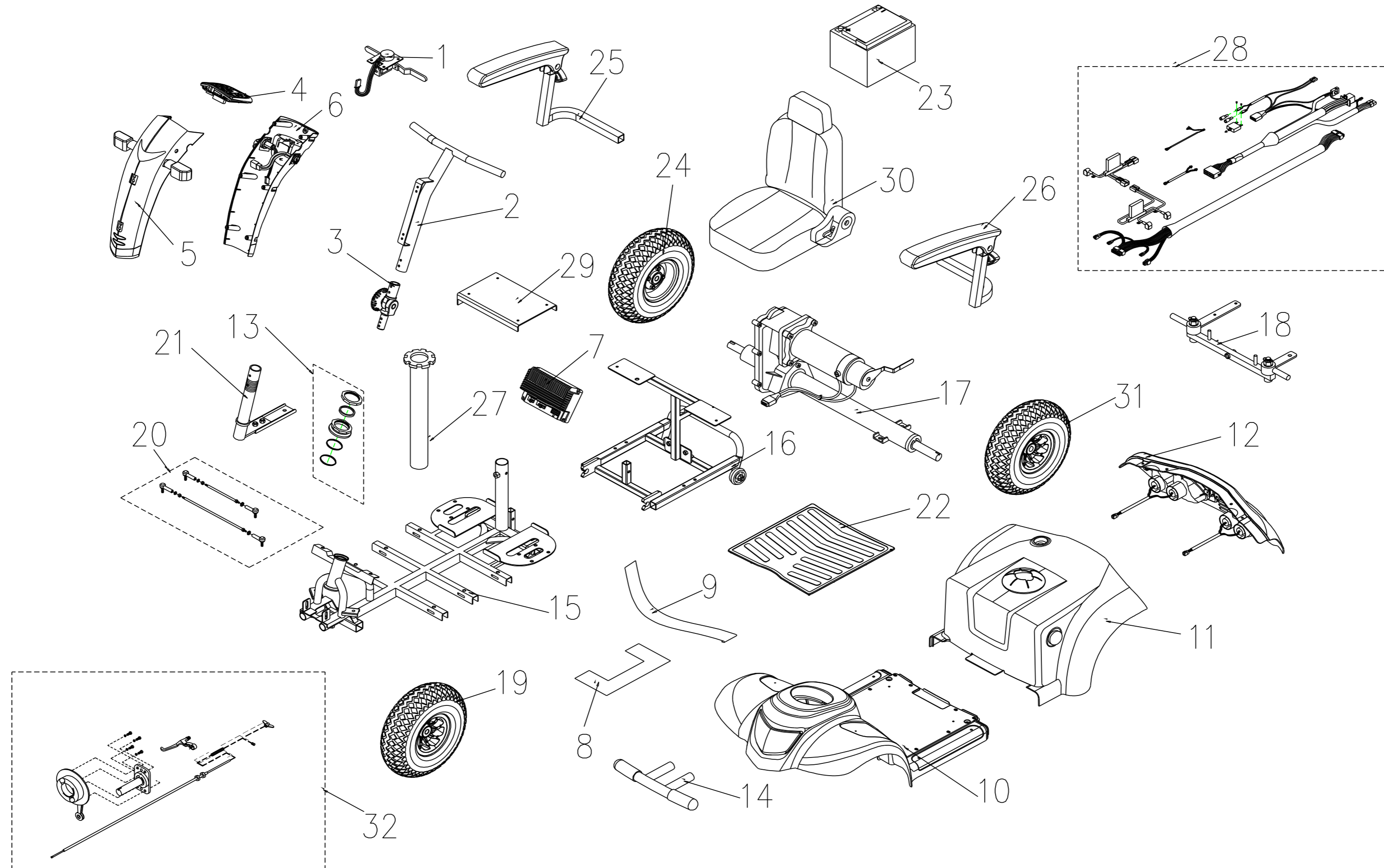


CERES 4 IPB (2 MAR 2017)

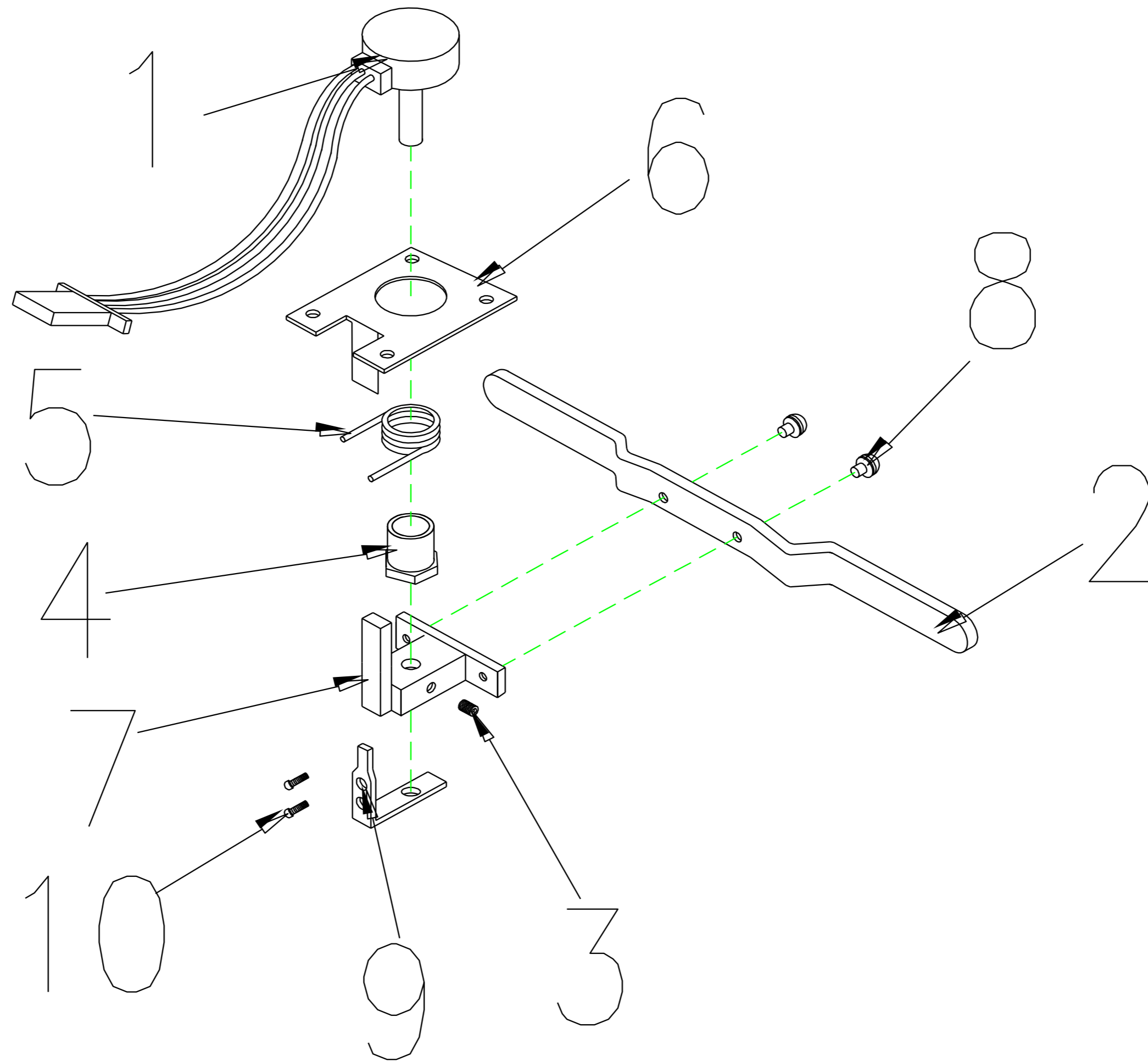


CERES 4 IPB (2 MAR 2017)

Fig&Index NO.	Parts No.	Parts Name	QTY	Remark
1	S12-009-00801	SPEED DIAL ASS'Y	1 SET	
1	S12-054-00100	SPEED DIAL ASS'Y, for delta bar use	1 SET	for DELTA BAR VERSION
2	S02-054-00100	T TYPE HANDLE BAR ASS'Y	1 SET	
2	S02-054-00200	DELTA HANDLE BAR ASS'Y	1 SET	for DELTA BAR VERSION
3	S02-001-00501	TILLER SWIVEL ASS'Y	1 SET	
4	S08-054-00100	COVER , HANDLE BAR ASS'Y , UPPER , BE 01	1 SET	
5	S08-054-00257	FRONT COVER ASS'Y , HAND BAR, BLUE 57 , W/O LABEL	1 SET	
5	S08-054-00266	FRONT COVER ASS'Y , HAND BAR, BLACK 66 , W/O LABEL	1 SET	
5	S08-054-00271	FRONT COVER ASS'Y , HAND BAR, CHAMPAGNE 71 , W/O LABEL	1 SET	
6	S08-054-00357	REAR COVER ASS'Y , HAND BAR , BLUE 57	1 SET	
6	S08-054-00366	REAR COVER ASS'Y , HAND BAR , BLACK 66	1 SET	
6	S08-054-00371	REAR COVER ASS'Y , HAND BAR , CHAMPAGNE 71	1 SET	
7	C10-001-01100	CONTROLLER , CTE 70A	1	BEFORE P152569 USE
7	C10-067-00200 (004)	CONTROLLER , P&G 70A	1	AFTER P129603 USE, for Ceres
7	C10-067-00200 (010)	CONTROLLER , P&G 70A, FOR DELTA BAR	1	for Ceres Deluxe
8	C25-003-00500	RUBBER PAD , BATTERY	1	
9	C07-001-90100	VELCRO STRIP , BATTERY	1	
10	S08-054-00457	FRONT SHROUD ASS'Y , BLUE 57, w/o foot pad	1 SET	
10	S08-054-00466	FRONT SHROUD ASS'Y , BLACK 66, w/o foot pad	1 SET	
10	S08-054-00471	FRONT SHROUD ASS'Y , SILVER 71, w/o foot pad	1 SET	
10	S08-054-01157	FRONT SHROUD ASS'Y , BLUE 57, w/ foot pad	1 SET	
10	S08-054-01166	FRONT SHROUD ASS'Y , BLACK 66, w/ foot pad	1 SET	
10	S08-054-01171	FRONT SHROUD ASS'Y , SILVER 71, w/ foot pad	1 SET	
11	S08-054-00557	COVER ASS'Y , BATTERY , BLUE 57 , W/O LABEL	1 SET	
11	S08-054-00566	COVER ASS'Y , BATTERY , BLACK 66 , W/O LABEL	1 SET	
11	S08-054-00571	COVER ASS'Y , BATTERY , CHAMPAGNE 71 , W/O LABEL	1 SET	

CERES 4 IPB (2 MAR 2017)

Fig&Index NO.	Parts No.	Parts Name	QTY	Remark
12	S08-054-00657	REAR SHROUD ASS'Y , BLUE 57 , W/O LABEL	1 SET	
12	S08-054-00618	REAR SHROUD ASS'Y , RED 18 , W/O LABEL	1 SET	
12	S08-054-00671	REAR SHROUD ASS'Y , CHAMPAGNE 71, W/O LABEL	1 SET	
13	S02-001-00601	REGULAR BEARING BALL SET	1 SET	
14	C01-054-00600	FRONT BUMPER	1	
15	S01-054-00100	FRAME,FRONT SECTION ASS'Y	1 SET	
16	S01-054-00200	FRAME,REAR SECTION ASS'Y	1 SET	
17	S09-054-00100	REAR DRIVE ASS'Y (W/I BOLT / NUT) ,9M/5300RPM/26:1	1	
17	S09-054-00300	REAR DRIVE ASS'Y (W/I BOLT / NUT) ,9M/5300RPM/26:1 FOR P&G CONTROLLER	1	After P129603 Use
18	S03-054-00100	FRONT FORK ASS'Y	1 SET	
19	S05-054-00100	FRONT TIRE ASSY, GRAY , 4.00-5-C154-7	2 SETS	
19	S05-005-00200	FRONT TIRE ASSY, BLACK , 4.00-5-C154-7	2 SETS	for DELTA BAR VERSION
20	S03-033-00400	CONNECTING ROD ASS'Y	1 SET	
21	S03-003-00300	L TYPE STEERING AXLE ASS'Y	1 SET	
22	C21-054-00100	CARPET , RUBBER	1	
23	C17-001-23402	BATTERY , U1	1	
24	S06-054-00100	REAR TIRE ASSY,GRAY , 400-5-C154-7	1 SET	
24	S06-054-00200	REAR TIRE ASSY,BLACK , 400-5-C154-7	1 SET	for DELTA BAR VERSION
25	S07-053-00300	ARMREST COMP. , R	1 SET	
26	S07-053-00100	ARMREST COMP. , L	1	
27	C07-023-00104	SEAT POST	1	
28	S18-054-00200	WIRE HARNESS ASS'Y, FOR PG CONTROLLER	1 SET	FOR PG CONTROLLER
28	S18-054-00400	WIRE HARNESS ASS'Y , FRONT TO REAR, FOR CTE CONTROLLER	1 SET	
28	S18-054-00500	WIRE HARNESS ASS'Y, FRONT TO REAR, FOR PG CONTROLLER	1 SET	FOR PG CONTROLLER
29	S01-054-00300	HOLDER , CONTROLLER ASS'Y	1 SET	
30	S07-054-00100	18" SEAT ASS'Y,SEAT PLATE/BLACK , TA-380C3	1 SET	
31	S06-005-00300	REAR TIRE ASS'Y,L , GRAY , 400-5-C154-7, inc. DRUM BRAKE	1 SET	
32	S35-054-00100	BRAKE ASS'Y	1	for CERES TUV
33	C10-051-00200	P&G CONTROLLER COVER	1	
34		ACCESSORIES		



1. SPEED DIAL ASS'Y

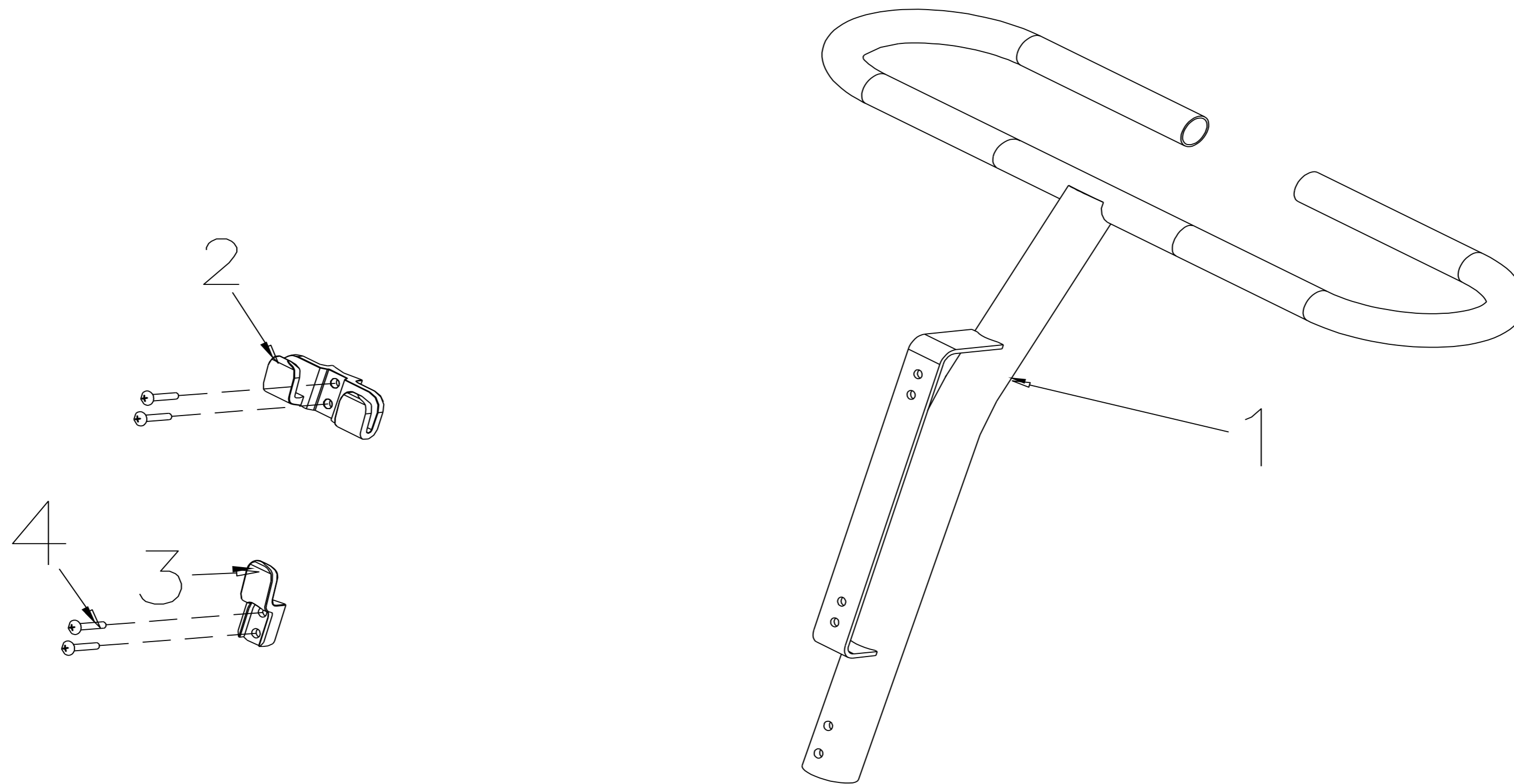
CERES 4 IPB (2 MAR 2017)

Fig&Index NO.	Parts No.	Parts Name	QTY	Remark
1	S12-009-00801	SPEED DIAL ASS'Y	1 SET	
1-1	C12-001-01401	SPEED LEVER COMP.	1	
1-2	C12-009-00601	SPEED LEVER	1	
1-3	9358040040753	LOCKING SCREW,4x4	2	
1-4	C12-001-00102	NUT	1	
1-5	C12-001-00300	TORSION SPRING,SPEED LEVER	1	
1-6	C12-001-00403	FIX PLATE,SPEED LEVER	1	
1-7	C12-009-00700	HOLDER,SPEED LEVER	1	
1-8	9004040120704	BOLT,M4x12L	2	
1-9	C12-001-01501	SPEED LEVER COMP POSITION	1	
1-10	9004030040504	BOLT,M3x4L	2	
1	S12-054-00100	SPEED DIAL ASS'Y, FOR DELRA BAR	1 SET	
1-1	C12-001-01401	SPEED LEVER COMP.	1	
1-2	C12-054-00301	SPEED LEVER	1	
1-3	9358040040753	LOCKING SCREW,4x4	2	
1-4	C12-001-00102	NUT	1	
1-5	C12-001-00300	TORSION SPRING,SPEED LEVER	1	
1-6	C12-001-00403	FIX PLATE,SPEED LEVER	1	
1-7	C12-009-00700	HOLDER,SPEED LEVER	1	
1-8	9004040120704	BOLT,M4x12L	2	
1-9	C12-001-01501	SPEED LEVER COMP POSITION	1	
1-10	9004030040504	BOLT,M3x4L	2	



CERES 4 IPB (2 MAR 2017)

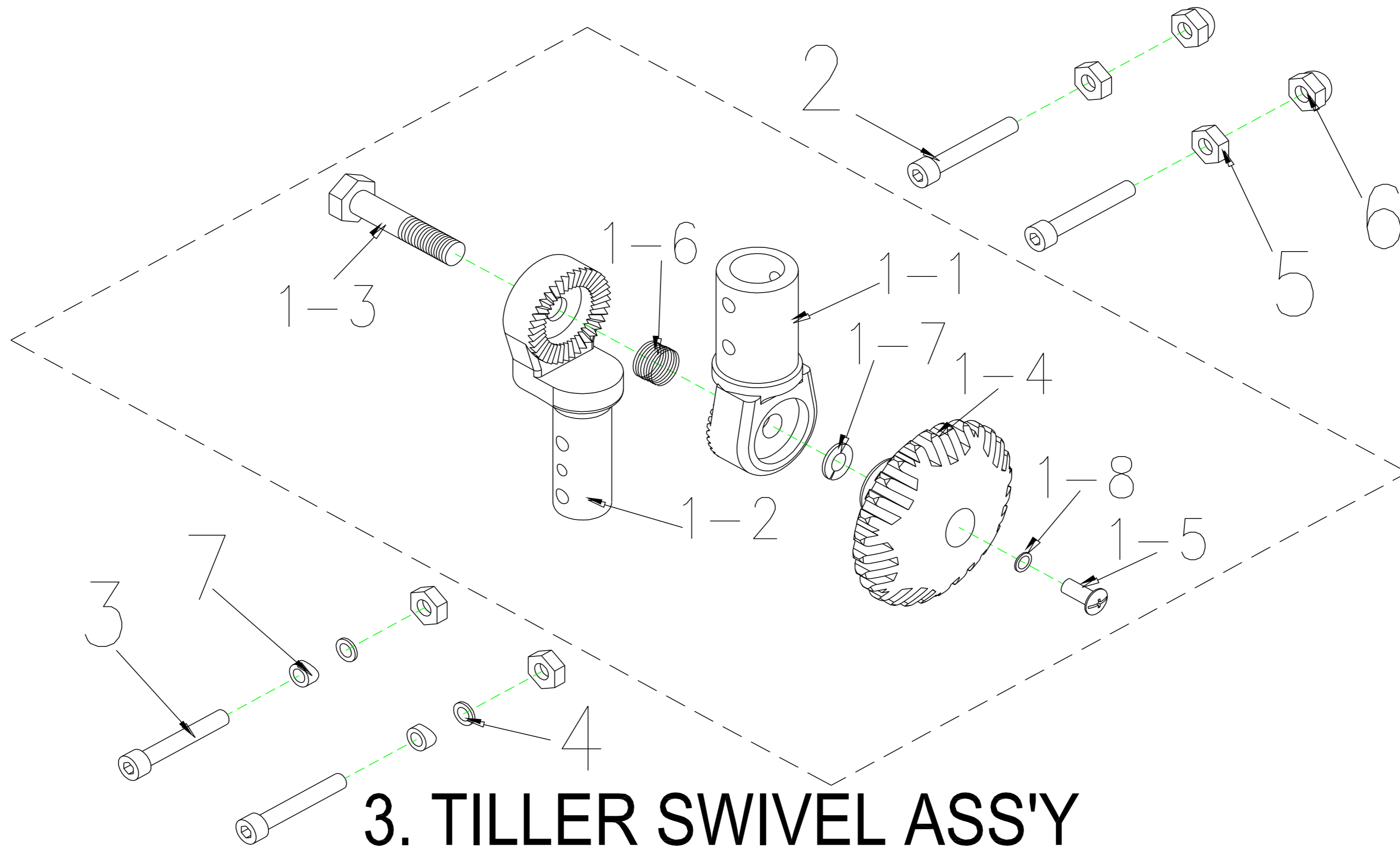
Fig&Index NO.	Parts No.	Parts Name	QTY	Remark
2	S02-054-00100	T TYPE HANDLE BAR ASS'Y	1 SET	
2-1	C02-054-00100	T TYPE HANDLE BAR	1	
2-2	C26-009-01601	BASKET HOLDER,PAINTED,UPPER	1	
2-3	C26-009-01700	BASKET HOLDER,PAINTED,LOWER	1	
2-4	9005060401003	BOLT,M6x40L	4	



2.T TYPE HANDLE BAR ASS'Y

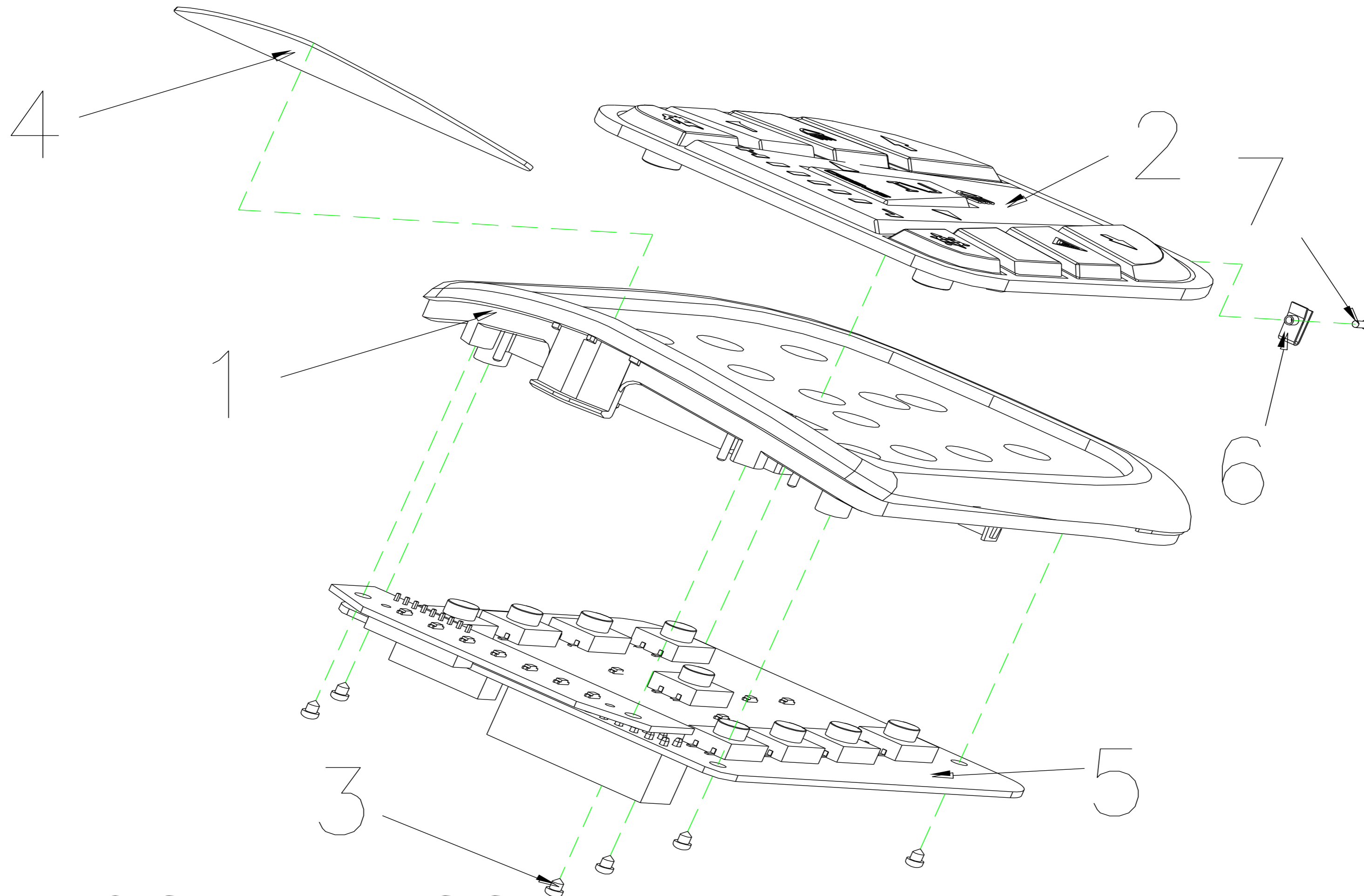
CERES 4 IPB (2 MAR 2017)

Fig&Index NO.	Parts No.	Parts Name	QTY	Remark
2	S02-054-00200	DELTA HANDLE BAR ASS'Y	1 SET	
2-1	C02-054-00202	DELTA TILLER	1	
2-2	C26-009-01601	BASKET HOLDER,PAINTED,UPPER	1	
2-3	C26-009-01700	BASKET HOLDER,PAINTED,LOWER	1	
2-4	9005060401003	BOLT,M6x40L	4	



CERES 4 IPB (2 MAR 2017)

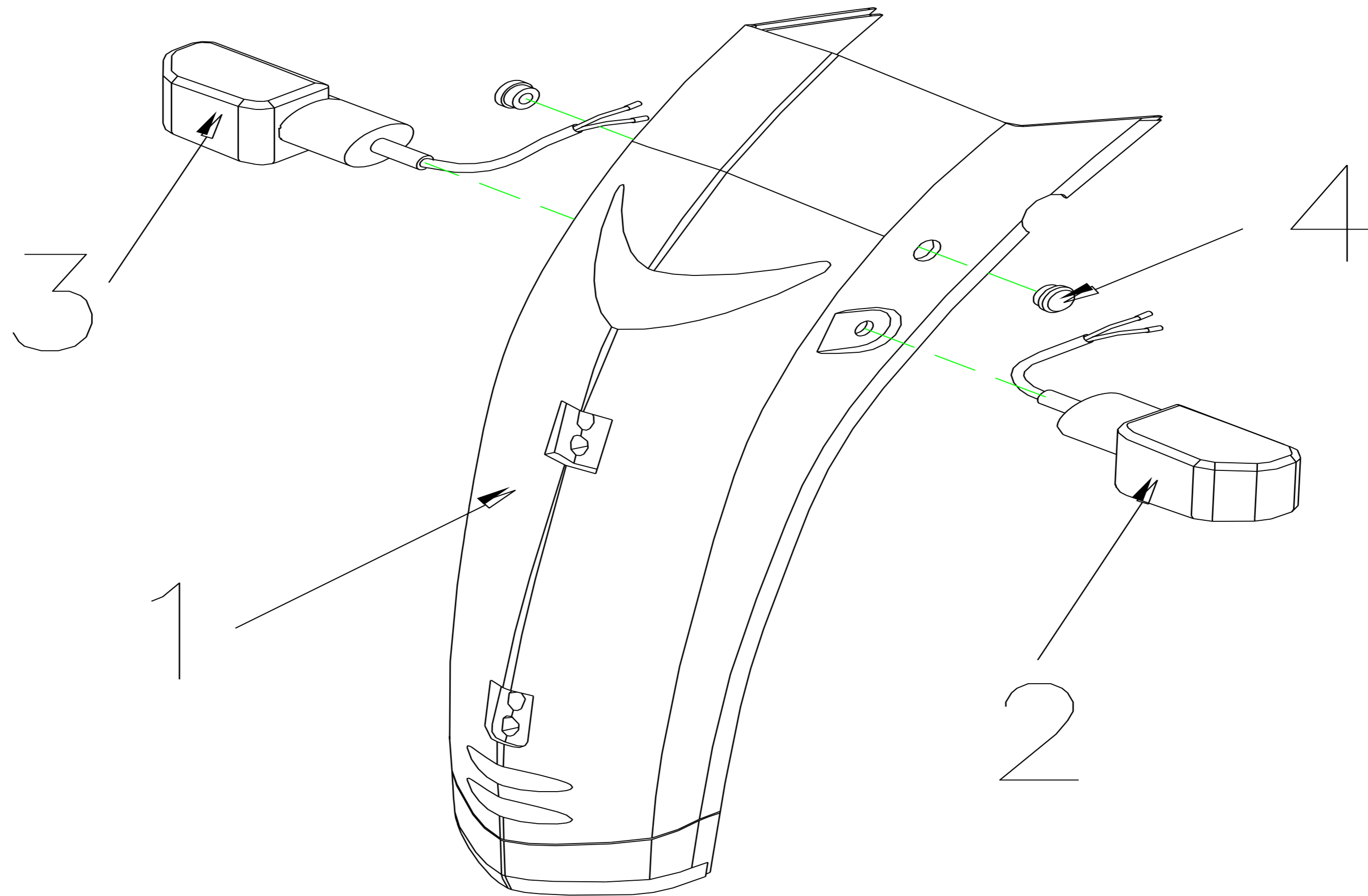
Fig&Index NO.	Parts No.	Parts Name	QTY	Remark
3	S02-001-00501	TILLER SWIVEL ASS'Y	1 SET	
3-1	C02-009-01501	TILLER SWIVEL ASS'Y	1	
3-1-1	C02-009-00501	TILLER SWIVEL,UPPER	1	
3-1-2	C02-009-00603	TILLER SWIVEL,LOWER	1	
3-1-3	9036100501503	BOLT,TILLER,M10x50L	1	
3-1-4	C02-026-00100	NUT,TILLER SWIVEL	1	
3-1-5	9005050120802	CR ROUND HD SCREW,M5X12L	1	
3-1-6	C02-009-00700	SPRING,TILLER SWIVEL	1	
3-1-7	9211100200172	SPRING WASHER , M10	1	
3-1-8	9211050100802	SPRING WASHER , M5	1	
3-2	9035060451003	BOLT,M6X45	2	
3-3	9035060351003	BOLT,M6X35	2	
3-4	9250060100193	WASHER,M6	2	
3-5	9201060601003	LOCK NUT,M6	4	
3-6	9205060951003	CAP NUT,M6	2	
3-7	C02-009-01400	WASHER	2	



4.COVER ASS'Y , HANDLE BAR , UPPER

CERES 4 IPB (2 MAR 2017)

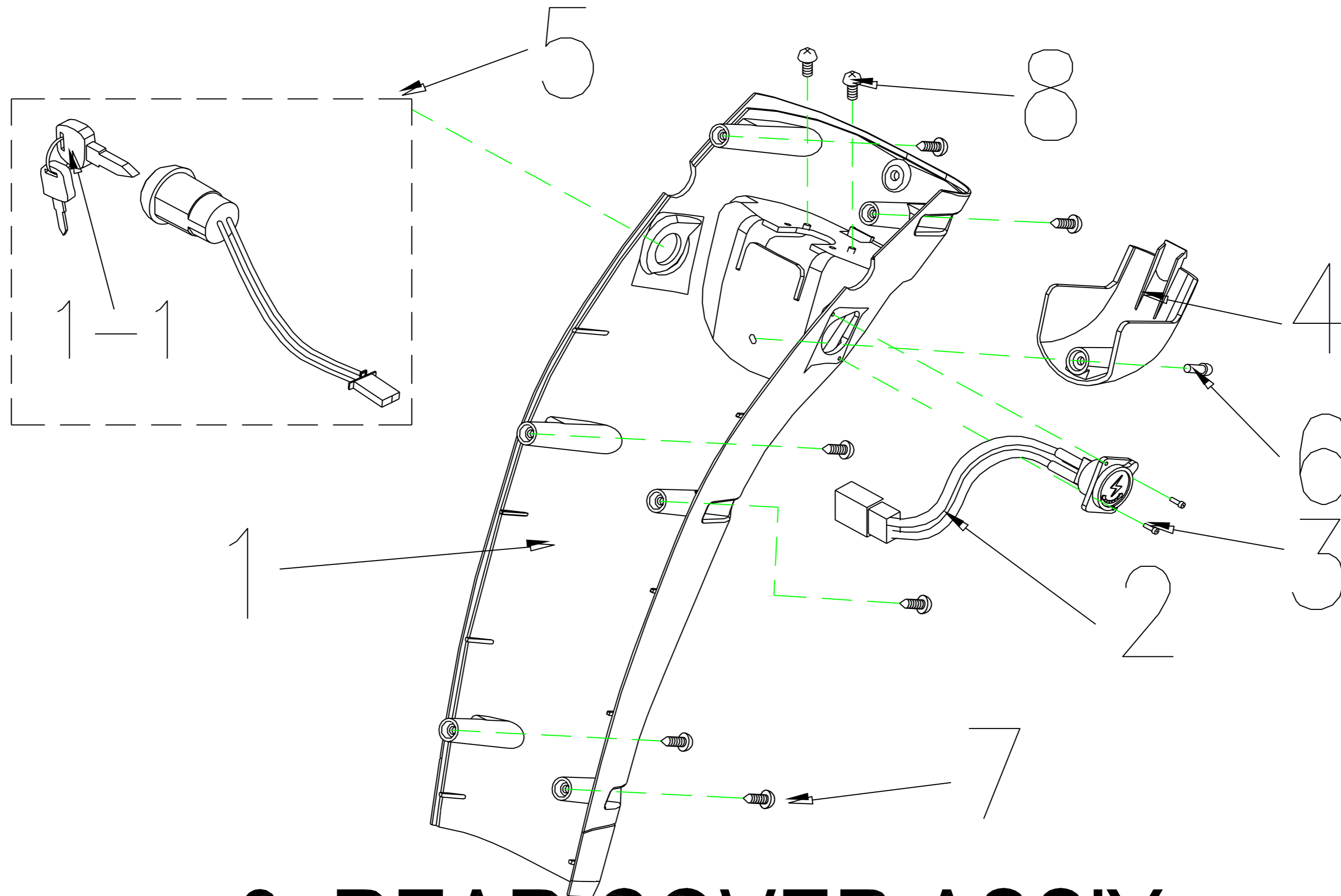
Fig&Index NO.	Parts No.	Parts Name	QTY	Remark
4	S08-054-00100	COVER , HANDLE BAR ASS'Y , UPPER , BE 01	1 SET	
4-1	C08-054-00600	COVER , HANDLE BAR , UPPER	1	
4-2	C10-051-00601	CONTROL PANEL BUTTON	1	
4-3	9004030080504	BOLT M3x8L	6	
4-4	C27-054-00101	BATTERY INDICATOR	1	
4-5	C10-051-00508	CONTROL PANEL PC BOARD	1	
4-6	9237040000003	U-TYPE SPRING NUT,M4	1	
4-7	9029040120002	BOLT M4x12L	1	
4-8	C26-051-00200	SPEED INDICATOR PAD	1	
4-9	C26-051-00301	FRONT/REAR LIGHT DISPLAY PAD	1	



5. FRONT COVER ASS'Y

CERES 4 IPB (2 MAR 2017)

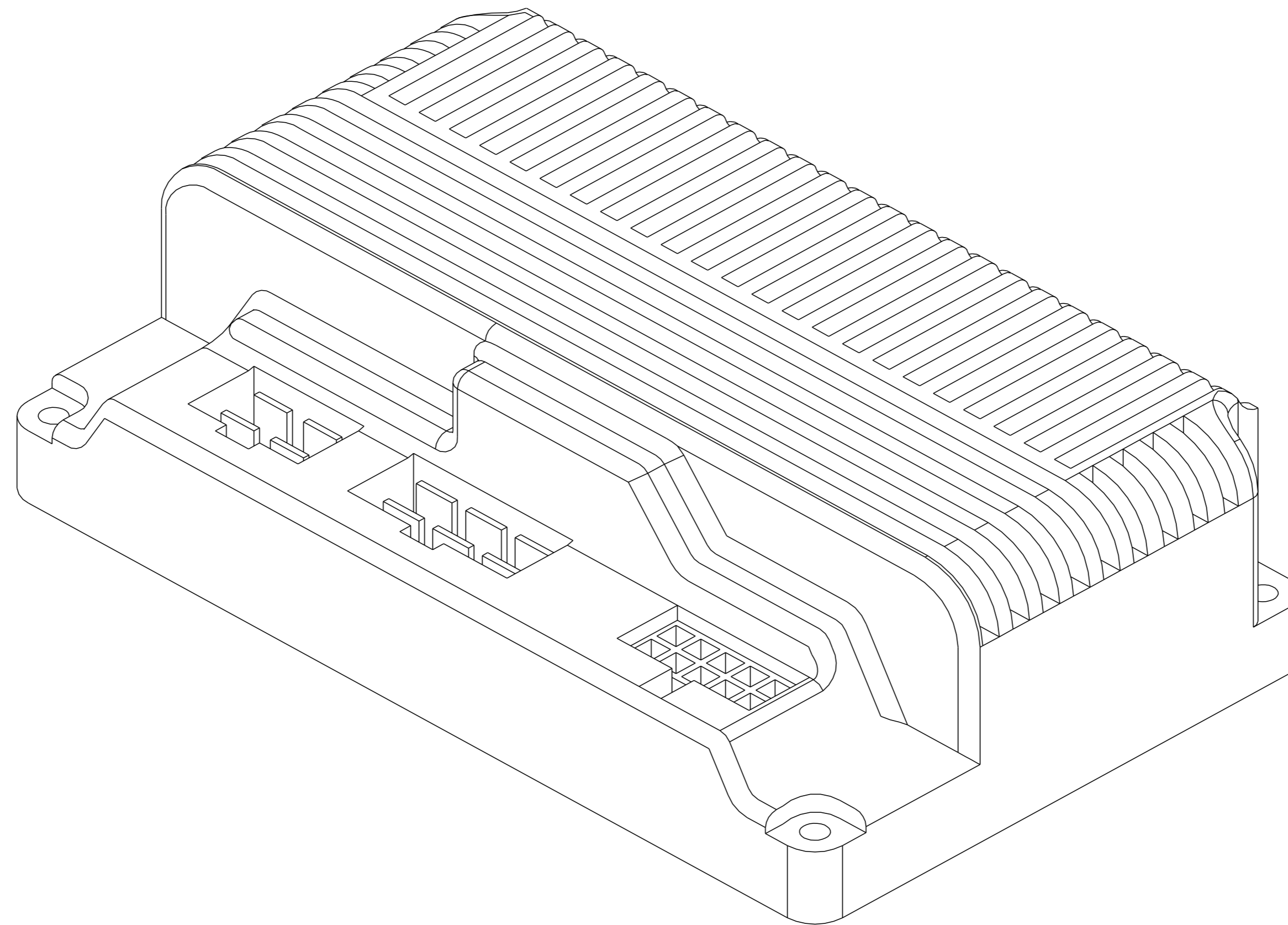
Fig&Index NO.	Parts No.	Parts Name	QTY	Remark
5	S08-054-00257	FRONT COVER ASS'Y , HAND BAR, BLUE 57 , W/O LABEL	1 SET	
5-1	C08-054-00457	FRONT COVER , HAND BAR, BLUE 57	1	
5-2	C15-054-00100	FRONT SIGNAL LAMP , L	1	
5-3	C15-054-00200	FRONT SIGNAL LAMP , R	1	
5-4	C25-001-00301	PLUG TO COVER THE HOLE OF BRAKE	2	
5	S08-054-00266	FRONT COVER ASS'Y , HAND BAR, BLACK 66 , W/O LABEL	1 SET	
5-1	C08-054-00466	FRONT COVER , HAND BAR, BLACK 66	1	
5-2	C15-054-00100	FRONT SIGNAL LAMP , L	1	
5-3	C15-054-00200	FRONT SIGNAL LAMP , R	1	
5-4	C25-001-00301	PLUG TO COVER THE HOLE OF BRAKE	2	
5	S08-054-00271	FRONT COVER ASS'Y , HAND BAR, CHAMPAGNE 71 , W/O LABEL	1 SET	
5-1	C08-054-00471	FRONT COVER , HAND BAR, CHAMPAGNE 71	1	
5-2	C15-054-00100	FRONT SIGNAL LAMP , L	1	
5-3	C15-054-00200	FRONT SIGNAL LAMP , R	1	
5-4	C25-001-00301	PLUG TO COVER THE HOLE OF BRAKE	2	



6. REAR COVER ASS'Y

CERES 4 IPB (2 MAR 2017)

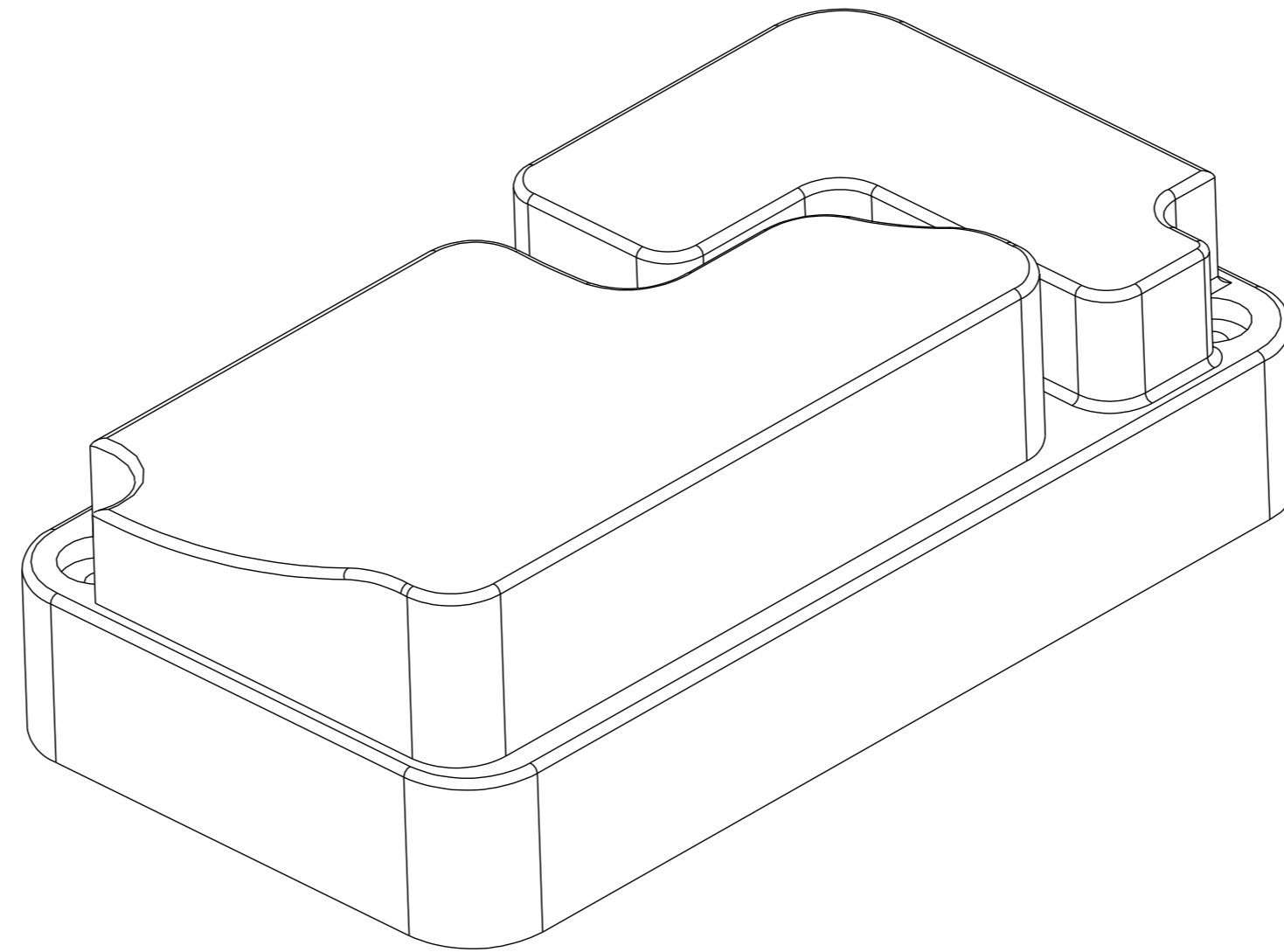
Fig&Index NO.	Parts No.	Parts Name	QTY	Remark
6	S08-054-00357	REAR COVER ASS'Y , HAND BAR , BLUE 57	1 SET	
6-1	C08-054-00557	REAR COVER , HAND BAR , BLUE 57	1	
6-2	C12-051-00200	CHARGER SOCKET ASS'Y	1	
6-3	9014250080002	CR PAN HD SCREW , M2.5x8L	2	
6-4	C08-045-00457	DECORATED SHROUND FOR LEVER BASE, BLUE 57	1	
6-5	C18-001-01501	IGNITION SWIITCH ASS'Y	1	
6-5-1	C37-001-02300	KEY	1	
6-6	9004040080704	BOLT,M4x8L	1	
6-7	9011040200003	BOLT,M4x20L	6	
6-8	9004030080504	BOLT,M3x8L	2	
6	S08-054-00366	REAR COVER ASS'Y , HAND BAR , BLACK 66	1 SET	
6-1	C08-054-00566	REAR COVER , HAND BAR , BLACK 66	1	
6-2	C12-051-00200	CHARGER SOCKET ASS'Y	1	
6-3	9014250080002	CR PAN HD SCREW , M2.5x8L	2	
6-4	C08-045-00466	DECORATED SHROUND FOR LEVER BASE, BLACK 66	1	
6-5	C18-001-01501	IGNITION SWIITCH ASS'Y	1	
6-5-1	C37-001-02300	KEY	1	
6-6	9004040080704	BOLT,M4x8L	1	
6-7	9011040200003	BOLT,M4x20L	6	
6-8	9004030080504	BOLT,M3x8L	2	
6	S08-054-00371	REAR COVER ASS'Y , HAND BAR , CHAMPAGNE 71	1 SET	
6-1	C08-054-00571	REAR COVER , HAND BAR , CHAMPAGNE 71	1	
6-2	C12-051-00200	CHARGER SOCKET ASS'Y	1	
6-3	9014250080002	CR PAN HD SCREW , M2.5x8L	2	
6-4	C08-045-00471	DECORATED SHROUND FOR LEVER BASE, CHAMPAGNE 71	1	
6-5	C18-001-01501	IGNITION SWIITCH ASS'Y	1	
6-5-1	C37-001-02300	KEY	1	
6-6	9004040080704	BOLT,M4x8L	1	
6-7	9011040200003	BOLT,M4x20L	6	
6-8	9004030080504	BOLT,M3x8L	2	



7.CONTROLLER , CTE 70A

CERES 4 IPB (2 MAR 2017)

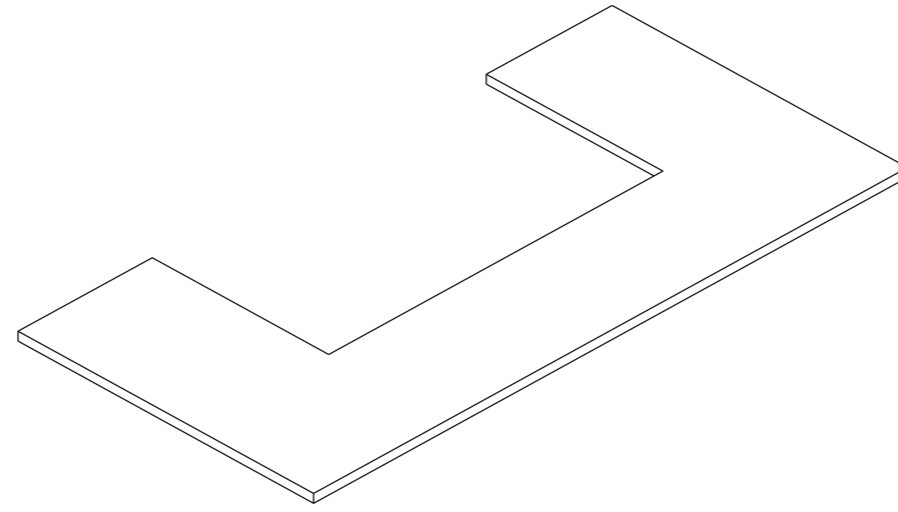
Fig&Index NO.	Parts No.	Parts Name	QTY	Remark
7	C10-005-00500	CONTROLLER , CTE 70A	1	BEFORE P152569 USE



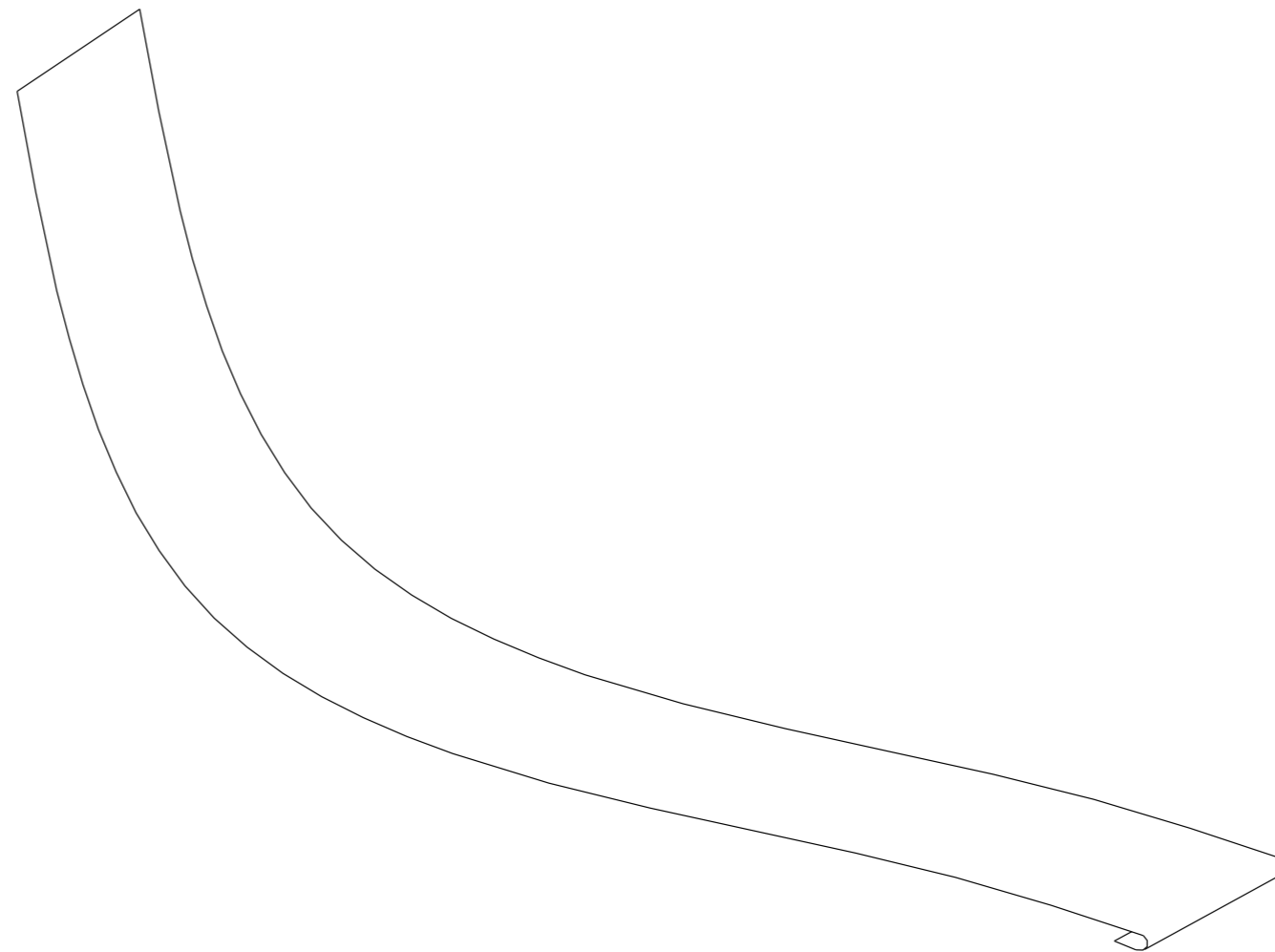
7.CONTROLLER ASS'Y

CERES 4 IPB (2 MAR 2017)

Fig&Index NO.	Parts No.	Parts Name	QTY	Remark
7	C10-067-00200 (004)	CONTROLLER , P&G 70A	1	AFTER P129603 USE, for Ceres
7	C10-067-00200 (010)	CONTROLLER , P&G 70A, FOR DELTA BAR	1	for Ceres Deluxe



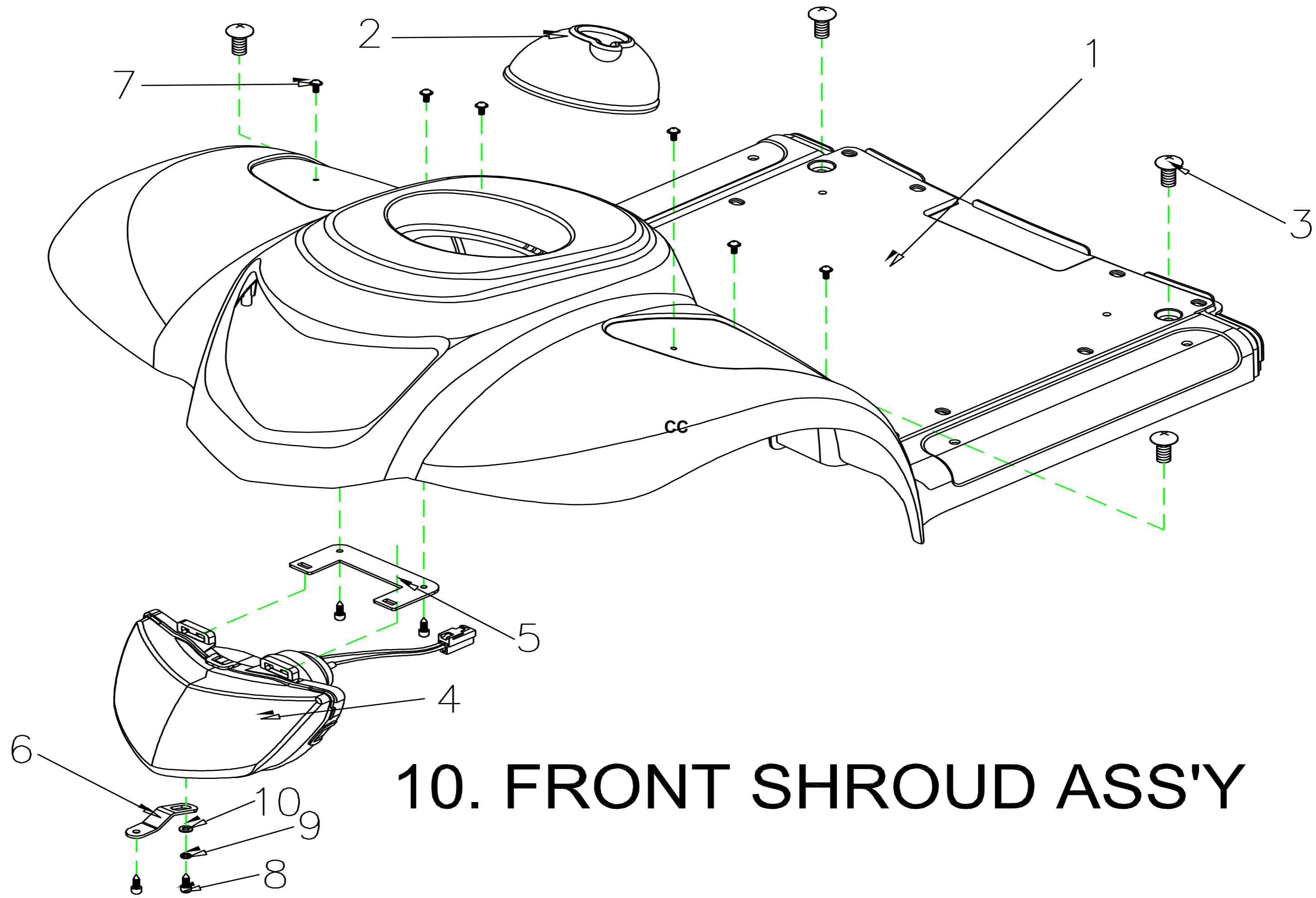
8.RUBBER PAD,BATTERY



9.VELCRO STRIP,BATTERY

CERES 4 IPB (2 MAR 2017)

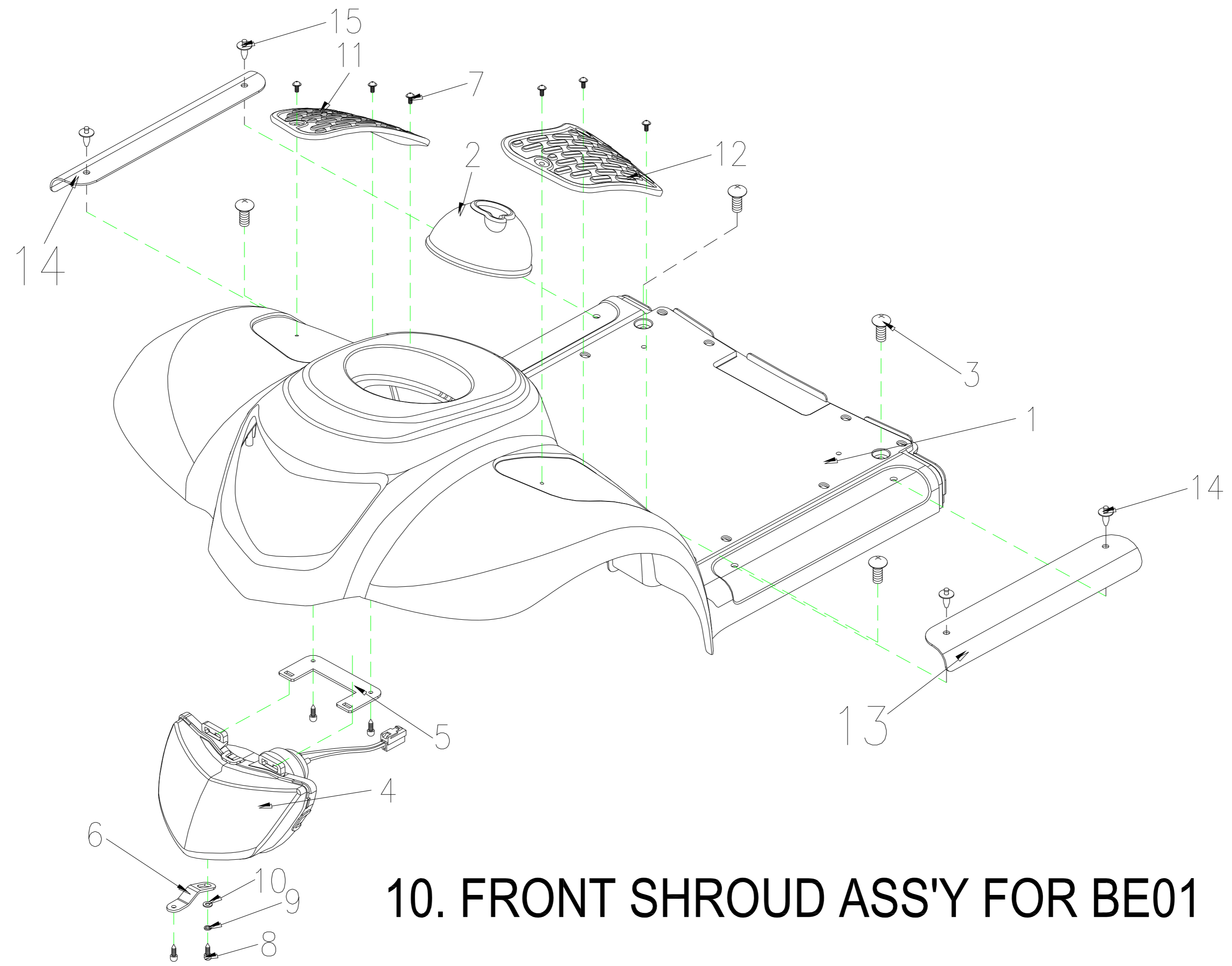
Fig&Index NO.	Parts No.	Parts Name	QTY	Remark
8	C25-003-00500	RUBBER PAD , BATTERY	1	
9	C07-001-90100	VELCRO STRIP , BATTERY	1	



10. FRONT SHROUD ASS'Y

CERES 4 IPB (2 MAR 2017)

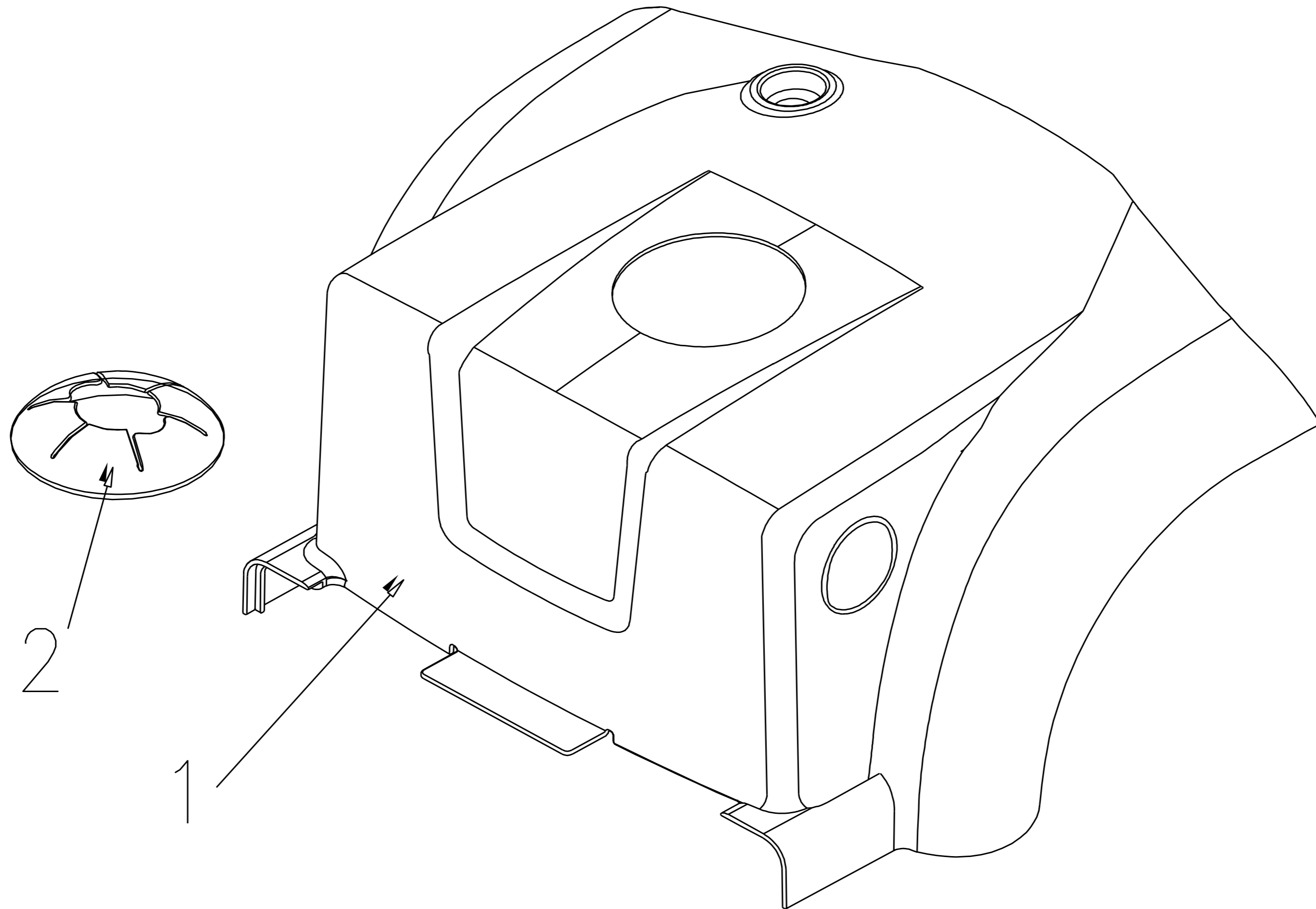
Fig&Index NO.	Parts No.	Parts Name	QTY	Remark
10	S08-054-00457	FRONT SHROUD ASS'Y , BLUE 57, w/o foot pad	1 SET	
10-1	C08-054-00157	FRONT SHROUD , BLUE 57	1	
10-2	C25-001-90101	RUBBER COVER , FRONT SHROUD	1	
10-3	9005060201002	CR ROUND HD SCREW,M6X20	4	
10-4	C13-052-00100	HEADLIGHT	1	
10-5	C01-051-01300	HEADLIGHT BRACKET	1	
10-6	C01-051-01401	HEADLIGHT ADJUSTING PLATE	1	
10-7	9029040120002	BOLT M4x12L	9	
10-8	9005040120702	BOLT M4x12L	1	
10-9	9211040100602	SPRING WASHER , M4	1	
10-10	9214040140102	WASHER M4xOD14xID4.2x1mm	1	
10	S08-054-00466	FRONT SHROUD ASS'Y , BLACK 66, w/o foot pad	1 SET	
10-1	C08-054-00166	FRONT SHROUD , BLACK 66	1	
10-2	C25-001-90101	RUBBER COVER , FRONT SHROUD	1	
10-3	9005060151002	CR ROUND HD SCREW,M6X15	4	
10-4	C13-052-00100	HEADLIGHT	1	
10-5	C01-051-01300	HEADLIGHT BRACKET	1	
10-6	C01-051-01401	HEADLIGHT ADJUSTING PLATE	1	
10-7	9029040120002	BOLT M4x12L	9	
10-8	9005040120702	BOLT M4x12L	1	
10-9	9211050100803	SPRING WASHER , M5	1	
10-10	9214060100133	WASHER , M6	1	
10	S08-054-00471	FRONT SHROUD ASS'Y, CHAMPAGNE 71, w/o foot pad	1 SET	
10-1	C08-054-00171	FRONT SHROUD, CHAMPAGNE 71	1	
10-2	C25-001-90101	RUBBER COVER , FRONT SHROUD	1	
10-3	9005060151002	CR ROUND HD SCREW,M6X15	4	
10-4	C13-052-00100	HEADLIGHT	1	
10-5	C01-051-01300	HEADLIGHT BRACKET	1	
10-6	C01-051-01401	HEADLIGHT ADJUSTING PLATE	1	
10-7	9029040120002	BOLT M4x12L	9	
10-8	9005040120702	BOLT M4x12L	1	
10-9	9211050100803	SPRING WASHER , M5	1	
10-10	9214060100133	WASHER , M6	1	



10. FRONT SHROUD ASS'Y FOR BE01

CERES 4 IPB (2 MAR 2017)

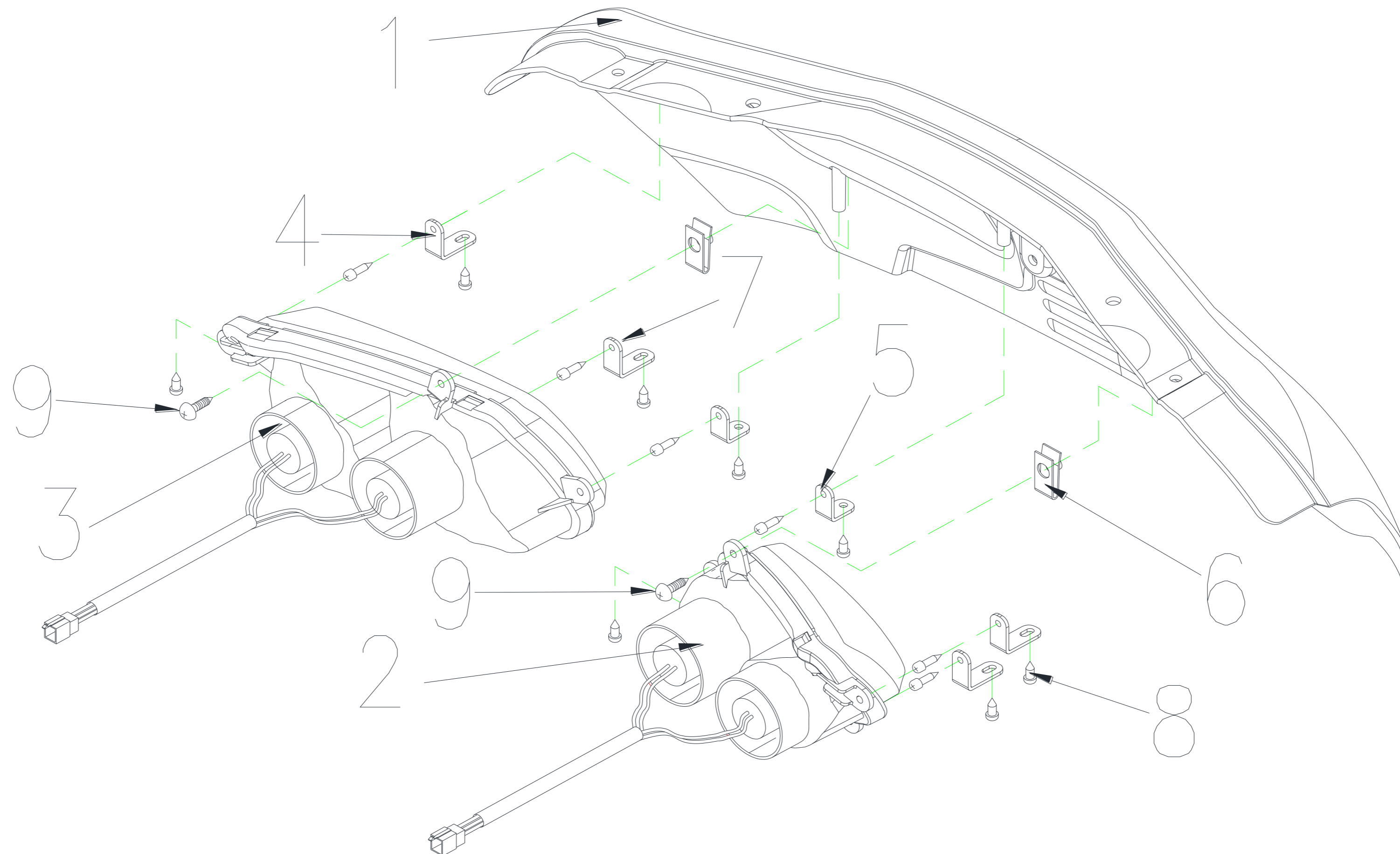
Fig&Index NO.	Parts No.	Parts Name	QTY	Remark
10	S08-054-01157	FRONT SHROUD ASS'Y , BLUE 57, w/ foot pad	1 SET	
10-1	C08-054-00157	FRONT SHROUD , BLUE 57	1	
10-2	C25-001-90101	RUBBER COVER , FRONT SHROUD	1	
10-3	9005060151002	CR ROUND HD SCREW,M6X15	4	
10-4	C13-052-00100	HEADLIGHT	1	
10-5	C01-051-01300	HEADLIGHT BRACKET	1	
10-6	C01-051-01401	HEADLIGHT ADJUSTING PLATE	1	
10-7	9029040120002	BOLT M4x12L	9	
10-8	9005040120702	BOLT M4x12L	1	
10-9	9211040100602	SPRING WASHER , M4	1	
10-10	9214040140102	WASHER M4xOD14xID4.2x1mm	1	
10-11	C26-040-00200	FOOTREST PAD , R	1	
10-12	C26-040-00100	FOOTREST PAD , L	1	
10-13	C08-029-00501	DAMAGE PROOF PIECE	2	
10-14	9906065000000	PIN ,M6.5	4	
10	S08-054-01166	FRONT SHROUD ASS'Y , BLACK 66, w/ foot pad	1 SET	
10-1	C08-054-00166	FRONT SHROUD , BLACK 66	1	
10-2	C25-001-90101	RUBBER COVER , FRONT SHROUD	1	
10-3	9005060151002	CR ROUND HD SCREW,M6X15	4	
10-4	C13-052-00100	HEADLIGHT	1	
10-5	C01-051-01300	HEADLIGHT BRACKET	1	
10-6	C01-051-01401	HEADLIGHT ADJUSTING PLATE	1	
10-7	9029040120002	BOLT M4x12L	9	
10-8	9005040120702	BOLT M4x12L	1	
10-9	9211040100602	SPRING WASHER , M4	1	
10-10	9214040140102	WASHER M4xOD14xID4.2x1mm	1	
10-11	C26-040-00200	FOOTREST PAD , R	1	
10-12	C26-040-00100	FOOTREST PAD , L	1	
10-13	C08-029-00501	DAMAGE PROOF PIECE	2	
10-14	9906065000000	PIN ,M6.5	4	
10	S08-054-01171	FRONT SHROUD ASS'Y , SILVER 71, w/ foot pad	1 SET	
10-1	C08-054-00171	FRONT SHROUD , SILVER 71	1	
10-2	C25-001-90101	RUBBER COVER , FRONT SHROUD	1	
10-3	9005060151002	CR ROUND HD SCREW,M6X15	4	
10-4	C13-052-00100	HEADLIGHT	1	
10-5	C01-051-01300	HEADLIGHT BRACKET	1	
10-6	C01-051-01401	HEADLIGHT ADJUSTING PLATE	1	
10-7	9029040120002	BOLT M4x12L	9	
10-8	9005040120702	BOLT M4x12L	1	
10-9	9211040100602	SPRING WASHER , M4	1	
10-10	9214040140102	WASHER M4xOD14xID4.2x1mm	1	
10-11	C26-040-00200	FOOTREST PAD , R	1	
10-12	C26-040-00100	FOOTREST PAD , L	1	
10-13	C08-029-00501	DAMAGE PROOF PIECE	2	
10-14	9906065000000	PIN ,M6.5	4	



11.COVER BATTERY ASS'Y

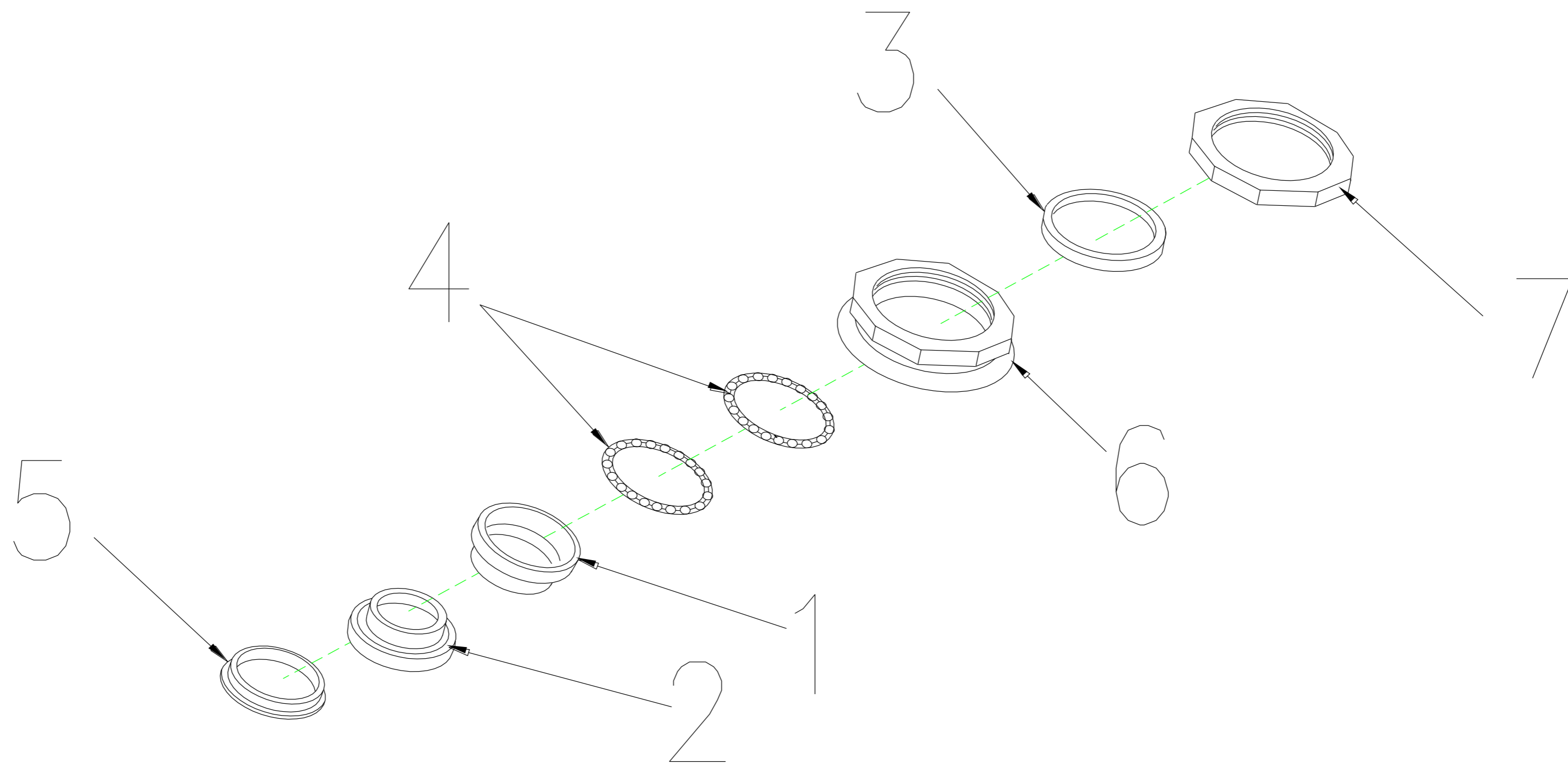
CERES 4 IPB (2 MAR 2017)

Fig&Index NO.	Parts No.	Parts Name	QTY	Remark
11	S08-054-00557	COVER ASS'Y , BATTERY , BLUE 57 , W/O LABEL	1 SET	
11-1	C08-054-00357	COVER BATTERY , BLUE 57	1	
11-2	C25-039-00100	RUBBER COVER , REAR SHROUD	1	
11	S08-054-00566	COVER ASS'Y , BATTERY , BLACK 66 , W/O LABEL	1 SET	
11-1	C08-054-00366	COVER BATTERY , BLACK 66	1	
11-2	C25-039-00100	RUBBER COVER , REAR SHROUD	1	
11	S08-054-00571	COVER ASS'Y , BATTERY , RED 18 , W/O LABEL	1 SET	
11-1	C08-054-00371	COVER BATTERY , RED 18	1	
11-2	C25-039-00100	RUBBER COVER , REAR SHROUD	1	



CERES 4 IPB (2 MAR 2017)

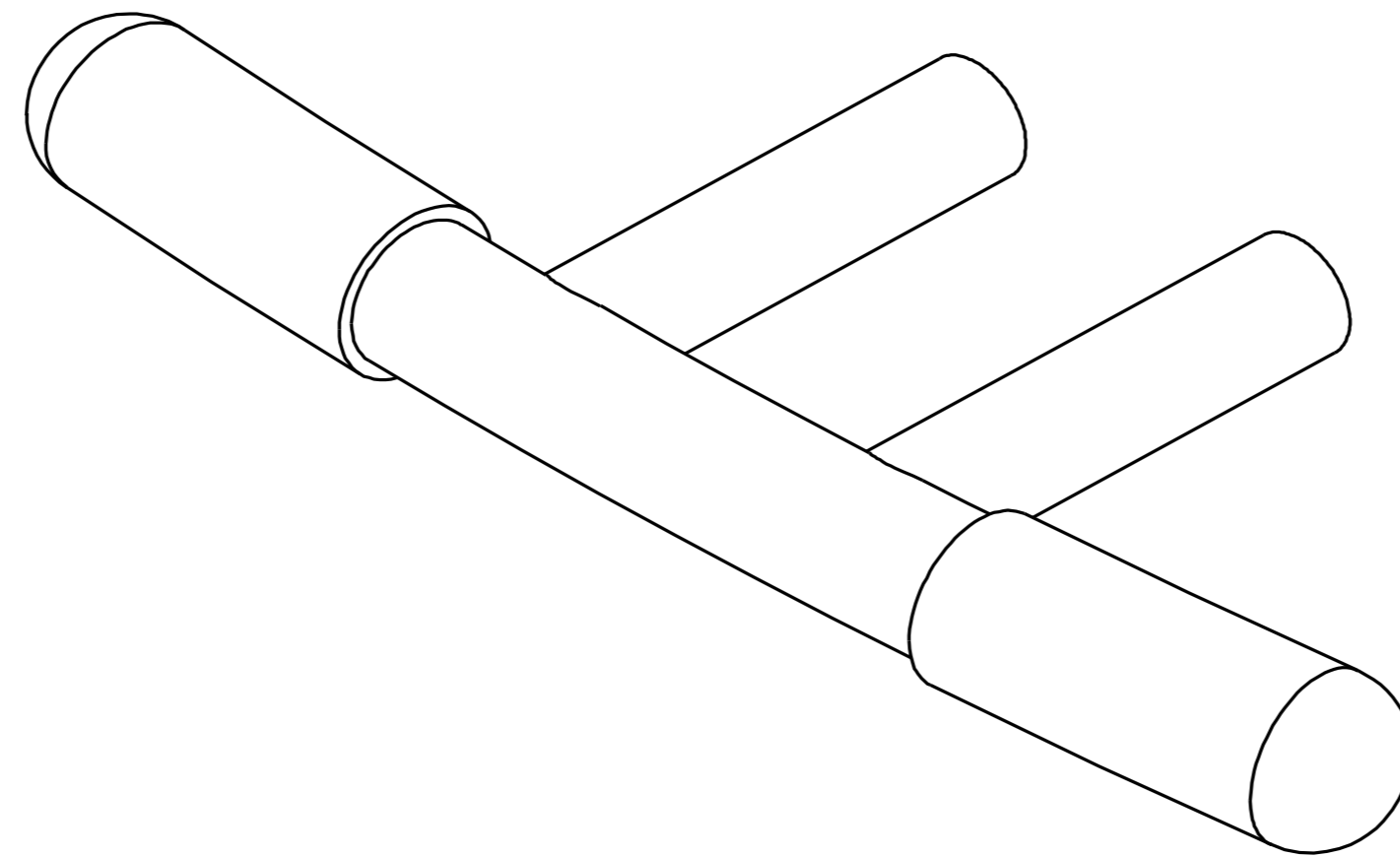
Fig&Index NO.	Parts No.	Parts Name	QTY	Remark
12	S08-054-00657	REAR SHROUD ASS'Y , BLUE 57 , W/O LABEL	1 SET	
12-1	C08-054-00257	REAR SHROUD , BLUE 57	1	
12-2	C14-052-00200	REAR SIGNAL LAMP , L	1	
12-3	C14-052-00100	REAR SIGNAL LAMP , R	1	
12-4	C01-051-01600	REAR SIGNAL LAMP BRACKET - LONG	4	
12-5	C01-051-01700	REAR SIGNAL LAMP BRACKET - SHORT	2	
12-6	9237040000003	U-TYPE SPRING NUT	2	
12-7	9005040100703	BOLT M4x10L	4	
12-8	9029040120002	BOLT M4x12L	6	
12-9	9029041500002	BOLT M4x15L	2	
12	S08-054-00666	REAR SHROUD ASS'Y , BLACK 66 , W/O LABEL	1 SET	
12-1	C08-054-00266	REAR SHROUD , BLACK 66	1	
12-2	C14-052-00200	REAR SIGNAL LAMP , L	1	
12-3	C14-052-00100	REAR SIGNAL LAMP , R	1	
12-4	C01-051-01600	REAR SIGNAL LAMP BRACKET - LONG	4	
12-5	C01-051-01700	REAR SIGNAL LAMP BRACKET - SHORT	2	
12-6	9237040000003	U-TYPE SPRING NUT	2	
12-7	9005040100703	BOLT M4x10L	4	
12-8	9029040120002	BOLT M4x12L	6	
12-9	9029041500002	BOLT M4x15L	2	
12	S08-054-00671	REAR SHROUD ASS'Y , SILVER 71 , W/O LABEL	1 SET	
12-1	C08-054-00271	REAR SHROUD , SILVER 71	1	
12-2	C14-052-00200	REAR SIGNAL LAMP , L	1	
12-3	C14-052-00100	REAR SIGNAL LAMP , R	1	
12-4	C01-051-01600	REAR SIGNAL LAMP BRACKET - LONG	4	
12-5	C01-051-01700	REAR SIGNAL LAMP BRACKET - SHORT	2	
12-6	9237040000003	U-TYPE SPRING NUT	2	
12-7	9005040100703	BOLT M4x10L	4	
12-8	9029040120002	BOLT M4x12L	6	
12-9	9029041500002	BOLT M4x15L	2	



13.REGULAR BEARING BALL SET

CERES 4 IPB (2 MAR 2017)

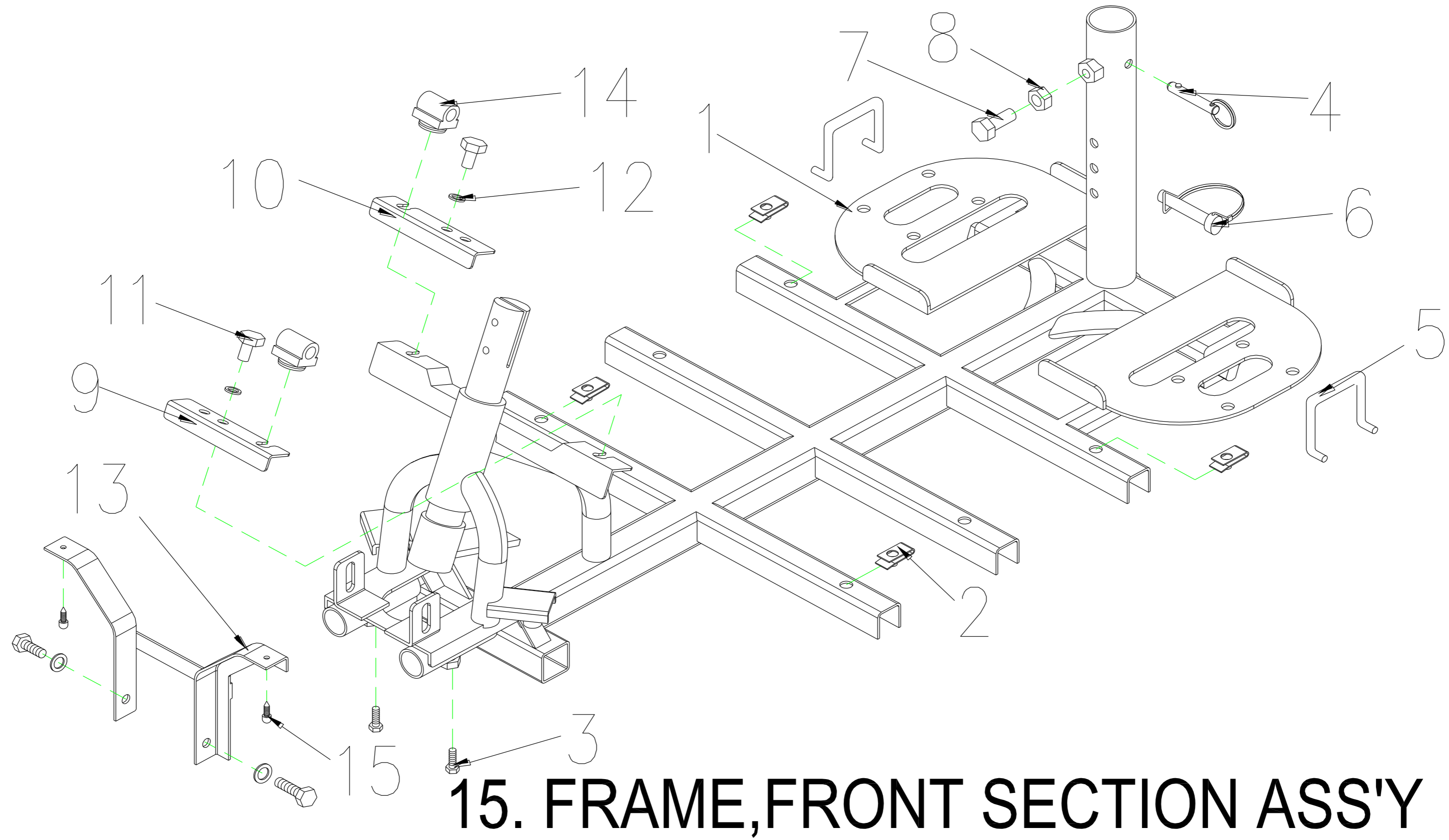
Fig&Index NO.	Parts No.	Parts Name	QTY	Remark
13	S02-001-00601	REGULAR BEARING BALL SET	1 SET	
13-1	C29-001-10101	CUP , UPPER	2	
13-3	9214290300353	COLLARLESS WASHER	1	
13-4	C29-001-10200	BEARING	2	
13-5	C29-001-10301	BEARING CAGE	1	
13-6	C29-001-10401	BEARING BUSH	1	
13-7	C29-001-10501	LOCKING NUT , BEARING	1	



14.FRONT BUMPER

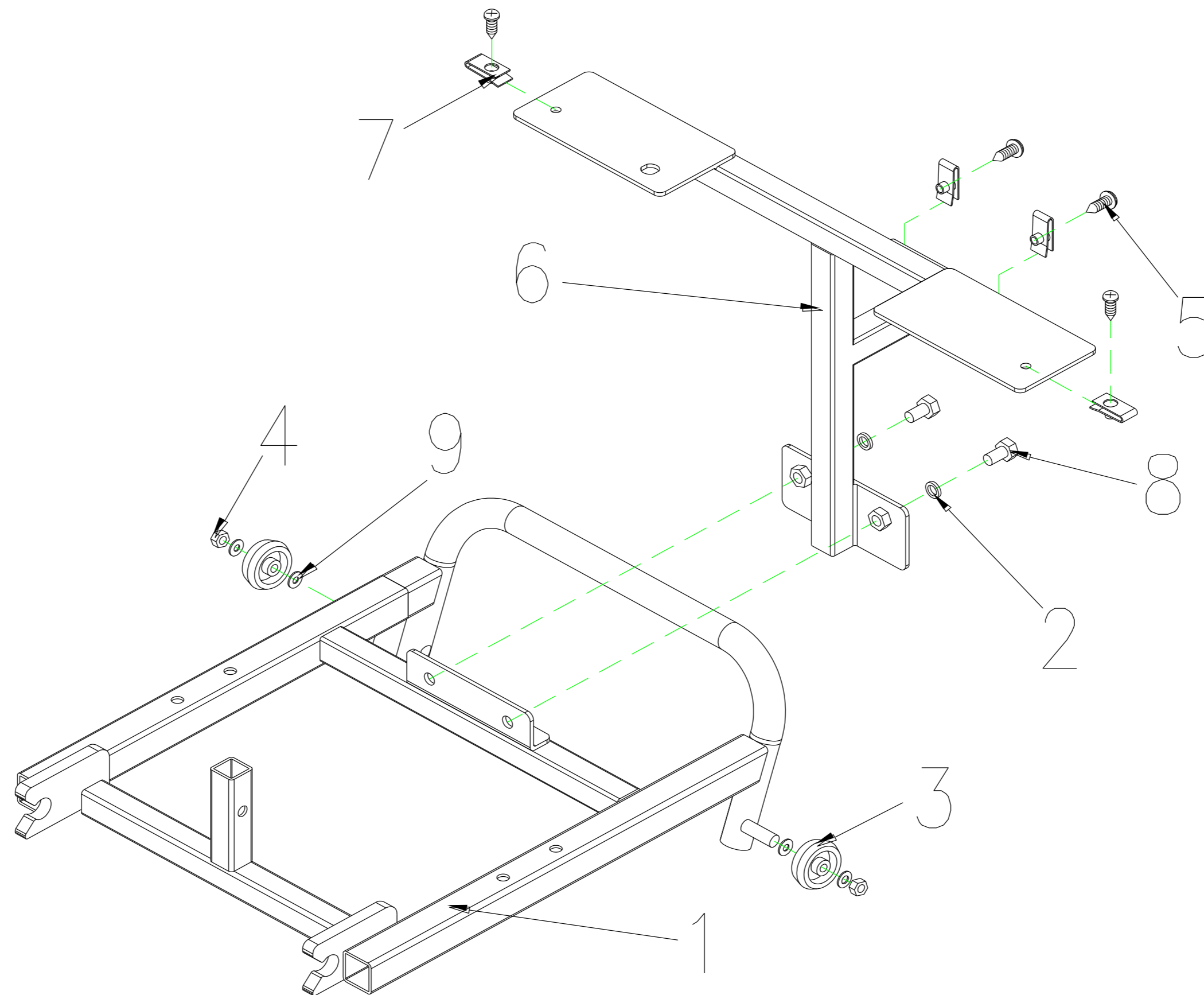
CERES 4 IPB (2 MAR 2017)

Fig&Index NO.	Parts No.	Parts Name	QTY	Remark
14	C01-054-00600	FRONT BUMPER	1	



CERES 4 IPB (2 MAR 2017)

Fig&Index NO.	Parts No.	Parts Name	QTY	Remark
15	S01-054-00100	FRAME,FRONT SECTION ASS'Y	1 SET	
15-1	C01-054-00103	FRAME,FRONT SECTION	1	
15-2	9237060000000	U-TYPE SPRING NUT,M6	4	
15-3	9001080301251	CR ROUND HD SCREW,M8x30L	2	
15-4	C01-001-10501	PIN,FRAME	1	
15-5	C01-003-01200	CLIP,VELCRO STRIP	2	
15-6	C01-001-10501	PIN LOCK , M8x41L	1	
15-7	9002100201251	CR ROUND HD SCREW,M10x20L	1	
15-8	9202100601252	NUT , M10x1.25	1	
15-9	C01-039-00902	HOLDER , FRONT SHROUD , L	1	
15-10	C01-039-01002	HOLDER , FRONT SHROUD , R	1	
15-11	9002080201251	CR ROUND HD SCREW,M8xP1.25x20L	4	
15-12	9211080200142	SPRING WASHER 5/16	4	
15-13	C01-054-00801	HOLDER , FRONT SHROUD	1	
15-14	C01-008-01500	RUBBER DAMPER PAD	2	
15-15	9029040120002	BOLT M4x12L	2	



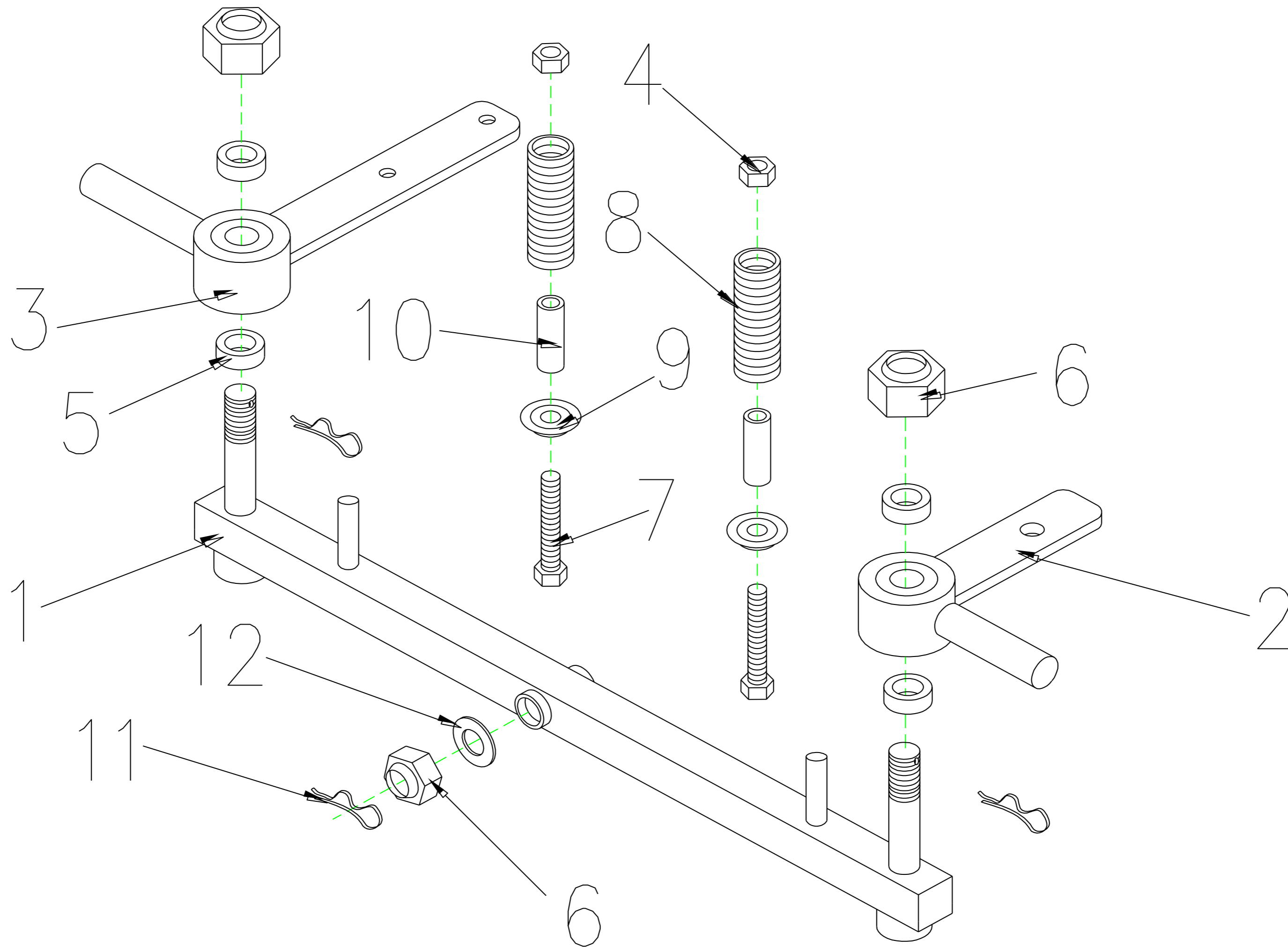
16. FRAME, REAR SECTION ASS'Y

CERES 4 IPB (2 MAR 2017)

Fig&Index NO.	Parts No.	Parts Name	QTY	Remark
16	S01-054-00200	FRAME,REAR SECTION ASS'Y	1 SET	
16-1	C01-054-00202	FRAME , REAR SECTION	1	
16-2	9211080200142	WASHER-5/16	2	
16-3	C28-007-00200	ANT-TIP WHEELS	2	
16-4	9201080801252	LOCK NUT , M8	2	
16-5	9005060151002	TAPPING SCREW , M6X15	4	
16-6	C01-054-00401	REAR BRACKET	1	
16-7	9237060000001	U-TYPE SPRING NUT,M6	4	
16-8	9002080201251	CR ROUND HD SCREW,M8x20L	2	
16-9	9214080150232	WASHER	4	

CERES 4 IPB (2 MAR 2017)

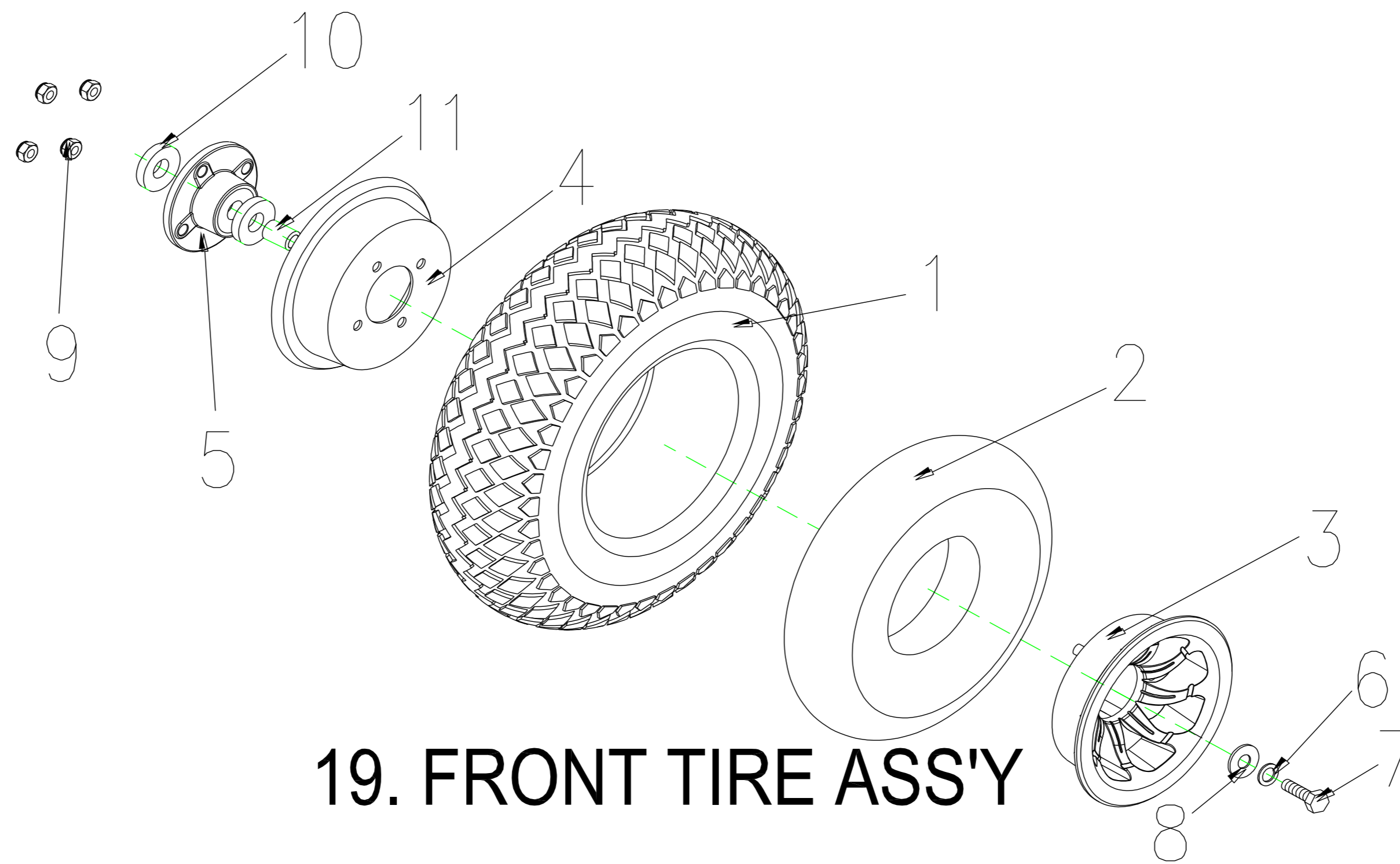
Fig&Index NO.	Parts No.	Parts Name	QTY	Remark
17	S09-054-00100	REAR DRIVE ASS'Y (W/I BOLT / NUT) , 9M/5300RPM/26 : 1	1	
17-1	C09-054-00106	REAR DRIVE ASS'Y (W/O BOLT / NUT) , 9M/5300RPM/26 : 1	1	
17-1-1	C09-054-00203	TRANSAXLE ONLY (W/O MOTOR) , 26 : 1	1	
17-1-1-1	9357005005035	PIN,5x5x35	2	
17-1-2	9021080201251	BOLT,M8x20	4	
17-1-3	9211080200142	SPRING WASHER 5/16	4	
17-1-4	C09-054-00302	MOTOR (W/I BRAKE) , 9M/5300RPM	1	
17-1-4-1	C09-054-00400	ELECTRO-MAGNETIC BRAKE , 40kgf/cm	1	
17-1-4-2	9004040120704	BOLT,M4x12L	3	
17-1-4-3	C09-029-02400	MOTOR ONLY	1	
17-1-4-3-1	C09-005-00601	CARBON BRUSH , 7X11	2	
17-1-4-3-2	C09-005-02400	CARBON BRUSH CAP , 7x11mm	2	
17-2	C09-001-10501	U-TYPE PLATE,MOTOR	3	
17-3	9024080950001	U-TYPE BOLT,M8X1.25-98HX15MM	1	
17-4	9035080501251	BOLT,M8x50L	2	
17-5	C09-001-10401	ARCH TYPE PLATE,MOTOR	1	
17-6	C05-001-90200	RUBBER DAMPER PAD,MOTOR	4	
17-7	9201080801252	LOCK NUT,M8x1.25	4	
17-8	C25-040-00100	PLUG	1	
17	S09-054-00300	REAR DRIVE ASS'Y (W/I BOLT / NUT) , 9M/5300RPM/26 : 1, for PG controller	1	After P129603 Use
17-1	C09-054-01102	REAR DRIVE ASS'Y (W/O BOLT / NUT) , 9M/5300RPM/26 : 1	1	
17-1-1	C09-054-00203	TRANSAXLE ONLY (W/O MOTOR) , 26 : 1	1	
17-1-1-1	9357005005035	PIN,5x5x35	2	
17-1-2	9021080201251	BOLT,M8x20	4	
17-1-3	9211080200142	SPRING WASHER 5/16	4	
17-1-4	C09-054-01200	MOTOR (W/I BRAKE) , 9M/5300RPM	1	
17-1-4-1	C09-054-00400	ELECTRO-MAGNETIC BRAKE , 40kgf/cm	1	
17-1-4-2	9004040120704	BOLT,M4x12L	3	
17-1-4-3	C09-029-02400	MOTOR ONLY	1	
17-1-4-3-1	C09-005-00601	CARBON BRUSH , 7X11	2	
17-1-4-3-2	C09-005-02400	CARBON BRUSH CAP , 7x11mm	2	
17-2	C09-001-10500	U-TYPE PLATE,MOTOR	3	
17-3	9024080950001	U-TYPE BOLT,M8X1.25-98HX15MM	1	
17-4	9035080501251	BOLT,M8x50L	2	
17-5	C09-001-10400	ARCH TYPE PLATE,MOTOR	1	
17-6	C05-001-90200	RUBBER DAMPER PAD,MOTOR	4	
17-7	9201080801252	LOCK NUT,M8x1.25	4	
17-8	C25-040-00100	PLUG	1	



18. FRONT FORK ASS'Y

CERES 4 IPB (2 MAR 2017)

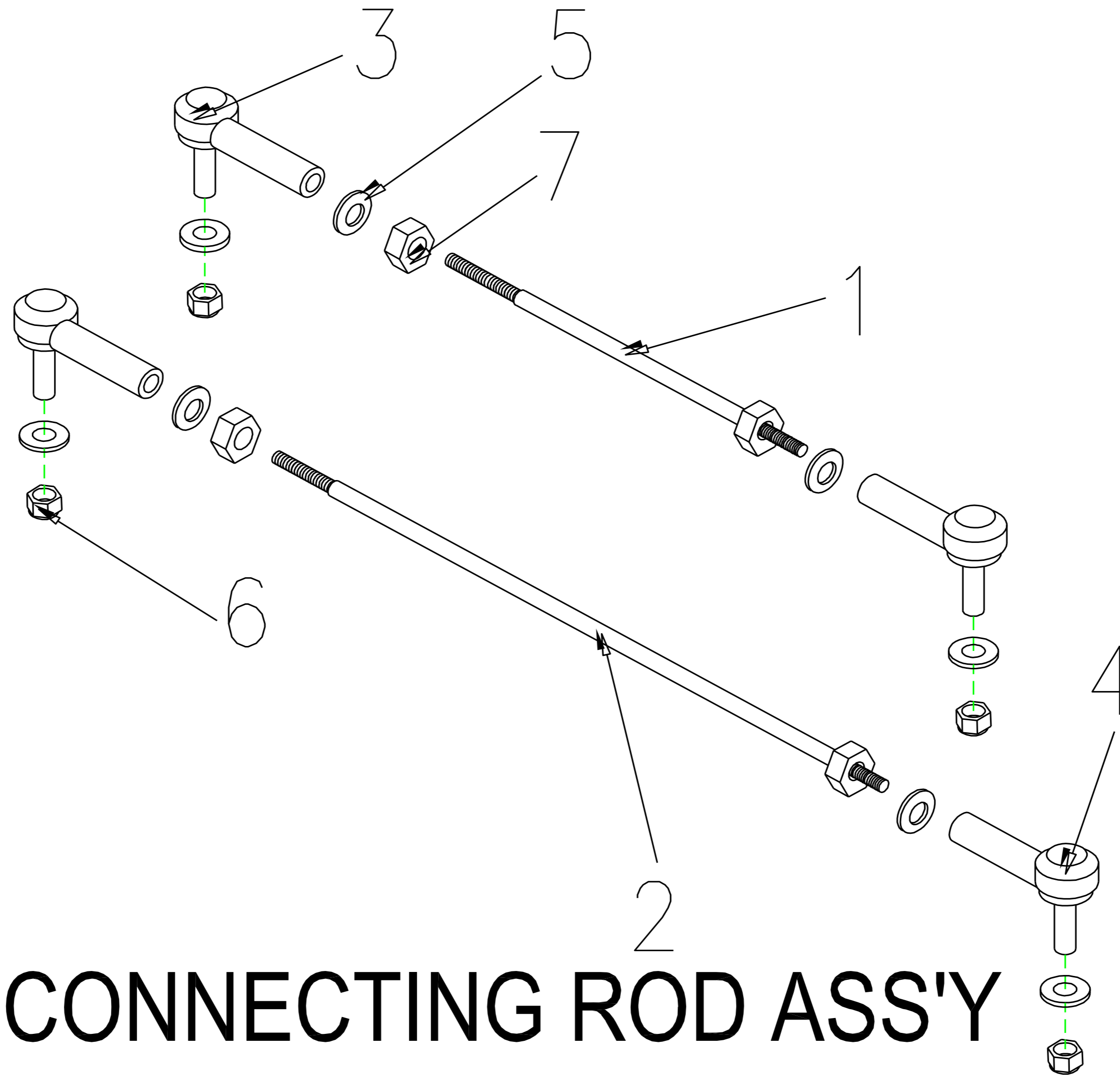
Fig&Index NO.	Parts No.	Parts Name	QTY	Remark
18	S03-054-00100	FRONT FORK ASS'Y	1 SET	
18-1	C03-033-00100	FRONT FORK	1	
18-2	C03-001-00207	LH STEERING AXLE , W/I BEARING 6001ZZ	1	
18-3	C03-001-00107	RH STEERING AXLE , W/I BEARING 6001ZZ	1	
18-4	9201080801252	LOCKING NUT , M8xP1.25	2	
18-5	C03-001-10800	SPACER , 20x15XT5	4	
18-6	9201121201752	NUT , M12xP1.75	3	
18-7	9036080901251	FLANGE BOLT , M8x90	2	
18-8	C03-039-00401	SPRING	2	
18-9	9214040100262	SPRING WASHER	2	
18-10	C03-036-00501	SPACER , 9X32	2	
18-11	9363018000002	R TYPE PIN , 1.8mm	3	
18-12	9214120250242	WASHER	1	
18-13	9204121251252		1	



19. FRONT TIRE ASS'Y

CERES 4 IPB (2 MAR 2017)

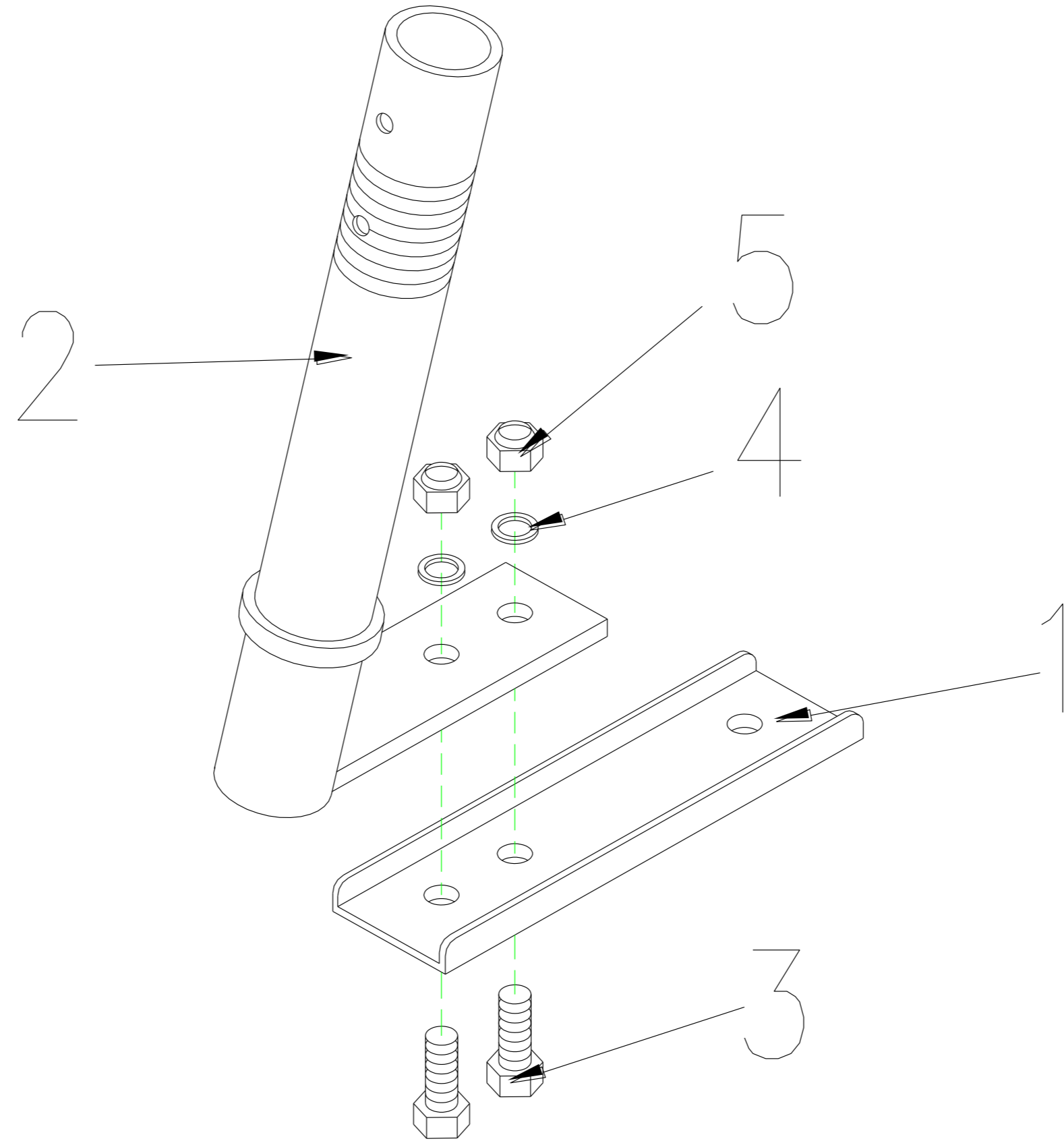
Fig&Index NO.	Parts No.	Parts Name	QTY	Remark
19	S05-054-00100	FRONT TIRE ASSY, GRAY , 4.00-5 C154-7	2 SETS	
19-1	C05-005-01400	TIRE , GRAY , 4.00-5 C154-7	1	
19-2	C05-005-00201	INNER TUBE	1	
19-3	C06-029-00102	WHEEL RIM , ALUNINUM , 5"	1	
19-4	C05-005-00401	WHEEL RIM , STEEL , 5"	1	
19-5	C05-001-10501	AXLE COLLAR,FRONT WHEEL	1	
19-6	9211080200142	SPRING WASHER,5/16	1	
19-7	9002080201251	BOLT,M8x20L	1	
19-8	9214080300232	WASHER,5/16	1	
19-9	9201080801252	LOCK NUT,M8x1.25	4	
19-10	9653062020002	BEARING , 6202ZZ	2	
19-11	C05-051-00200	SPACER	1	
19	S05-005-00200	FRONT TIRE ASSY, BLACK , 4.00-5 C154-7	2 SETS	for CERES DELTA BAR VERSION
19-1	C05-005-00100	TIRE , BLACK , 4.00-5 C154-7	1	
19-2	C05-005-00201	INNER TUBE	1	
19-3	C06-029-00102	WHEEL RIM , ALUNINUM , 5"	1	
19-4	C05-005-00401	WHEEL RIM , STEEL , 5"	1	
19-5	C05-001-10501	AXLE COLLAR,FRONT WHEEL	1	
19-6	9211080200142	SPRING WASHER,5/16	1	
19-7	9002080201251	BOLT,M8x20L	1	
19-8	9214080300232	WASHER,5/16	1	
19-9	9201080801252	LOCK NUT,M8x1.25	4	
19-10	9653062020002	BEARING , 6202ZZ	2	
19-11	C05-051-00200	SPACER	1	



20.CONNECTING ROD ASS'Y

CERES 4 IPB (2 MAR 2017)

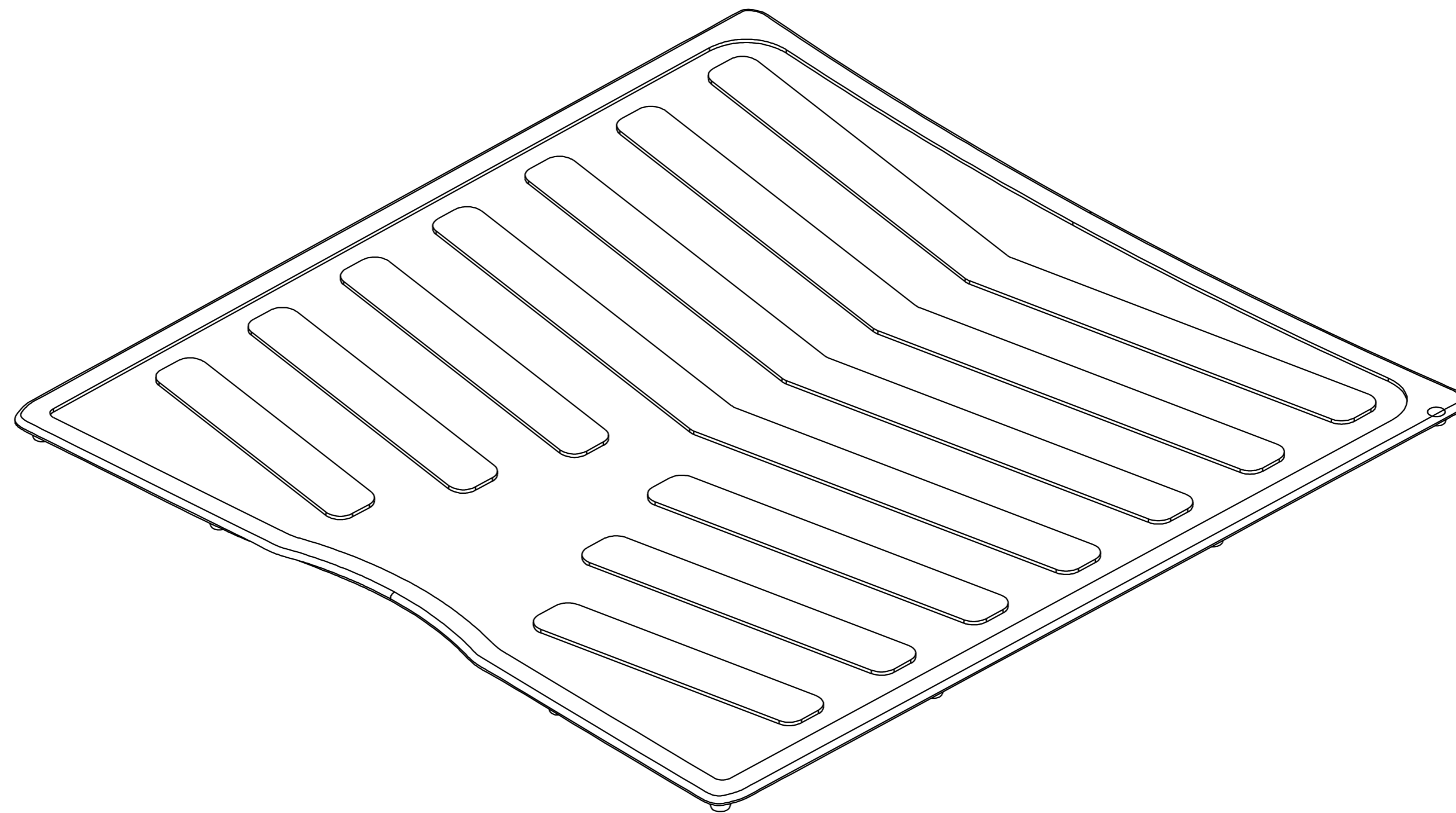
Fig&Index NO.	Parts No.	Parts Name	QTY	Remark
20	S03-033-00400	CONNECTING ROD ASS'Y	1 SET	
20-1	C03-033-00201	CONNECTION ROD, GUIDING	1	
20-2	C03-033-00301	CONNECTION ROD, FRONT FORK	1	
20-3	C19-001-10801	RBL8 JOINT, R	2	
20-4	C19-001-00101	RBL8 JOINT, L	2	
20-5	9211080200142	SPRING WASHER, 5/16	8	
20-6	9201080801252	LOCK NUT, M8x1.25	4	
20-7	9202080601251	NUT , M8x1.25	2	



21. L TYPE STEERING AXLE ASS'Y

CERES 4 IPB (2 MAR 2017)

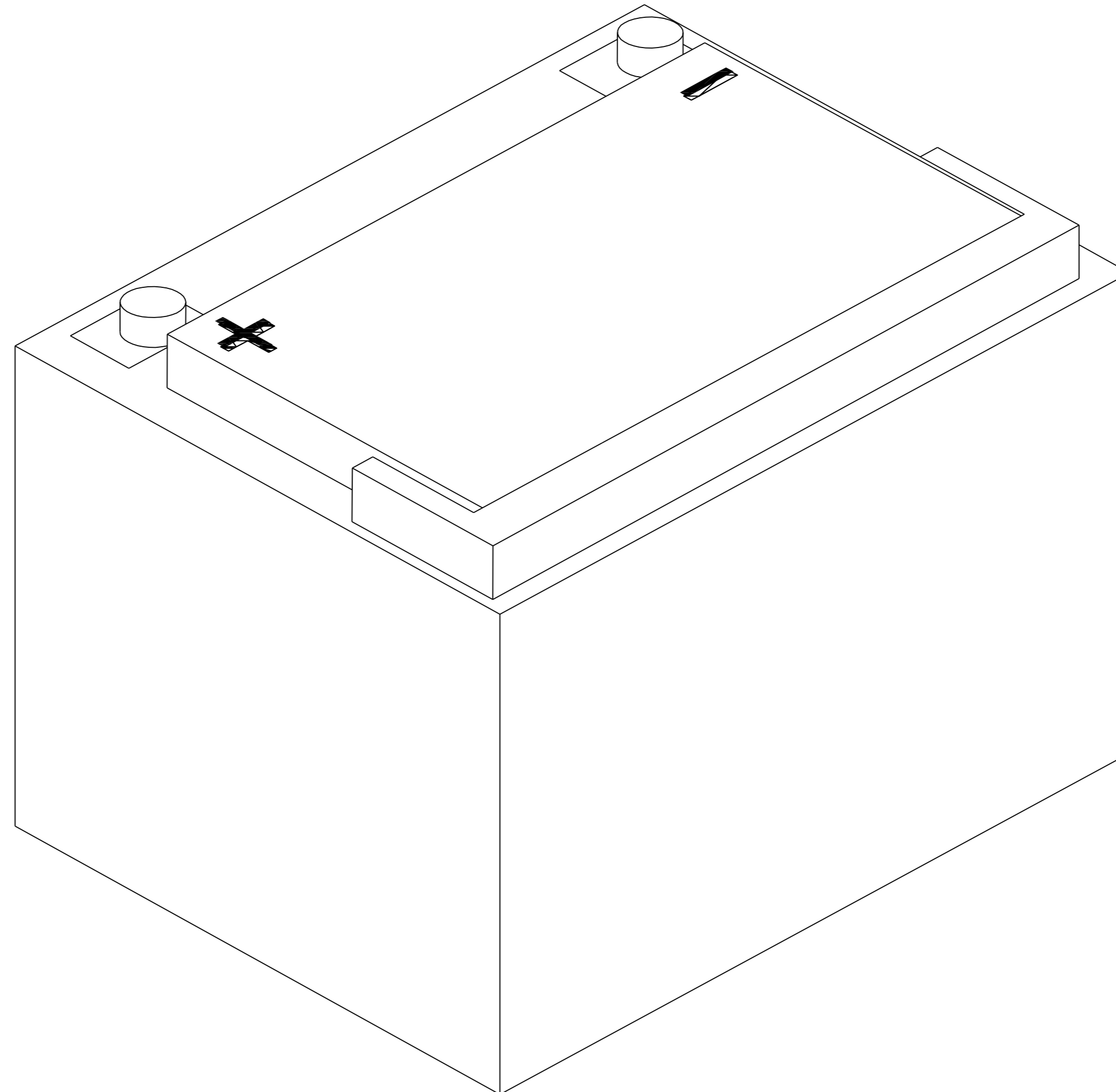
Fig&Index NO.	Parts No.	Parts Name	QTY	Remark
21	S03-003-00300	L TYPE STEERING AXLE ASS'Y	1 SET	
21-1	C03-001-10600	STEERING ARM	1	
21-2	C03-003-00501	L TYPE STEERING AXLE	1	
21-3	9002080201251	BOLT, M8X20L	2	
21-4	9211080200142	WASHER, 5/16	2	
21-5	9201080801252	LOCK NUT, M8X1.25	2	



22. CARPET

CERES 4 IPB (2 MAR 2017)

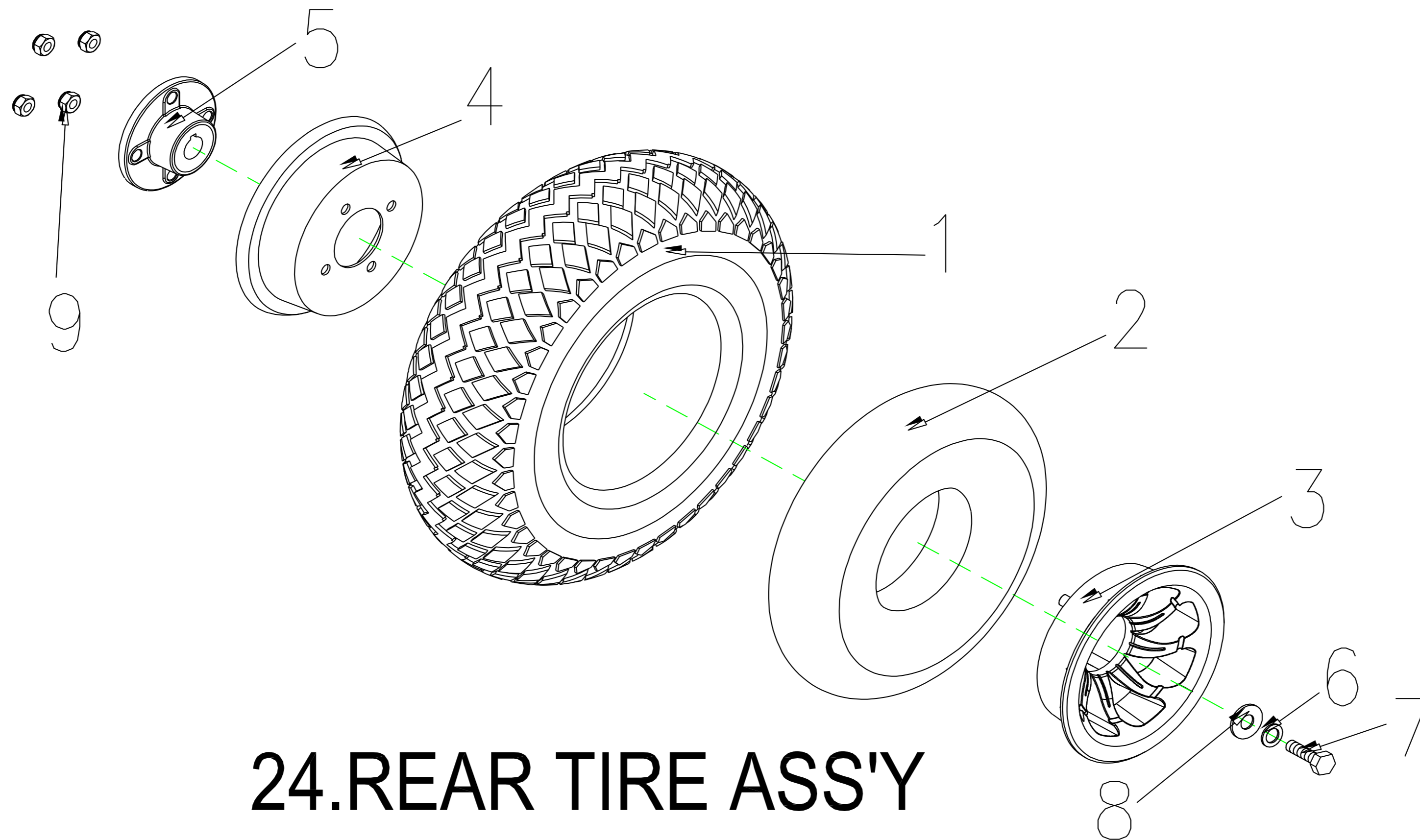
Fig&Index NO.	Parts No.	Parts Name	QTY	Remark
22	C21-054-00100	CARPET , RUBBER	1	



23. BATTERY U1

CERES 4 IPB (2 MAR 2017)

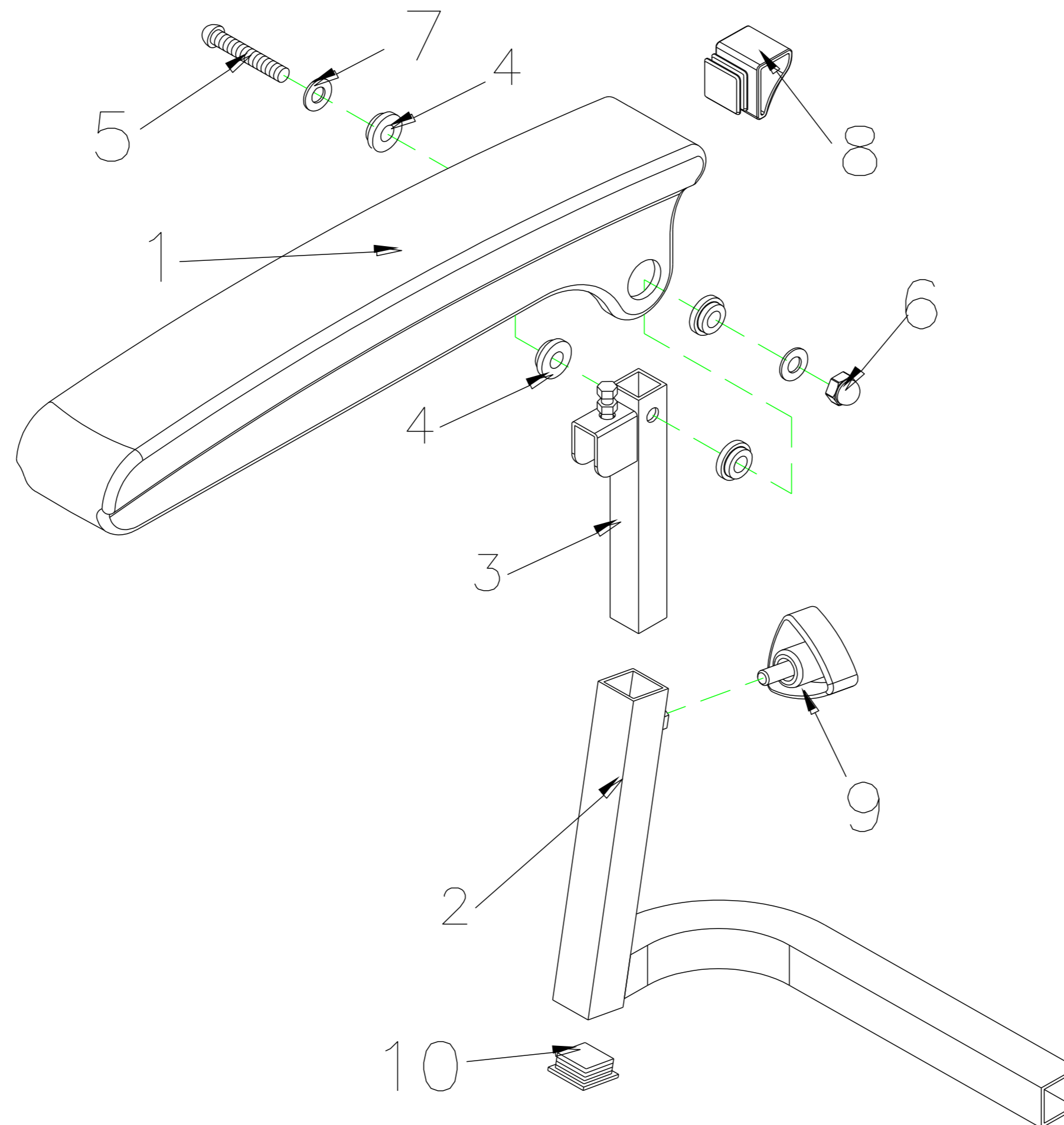
Fig&Index NO.	Parts No.	Parts Name	QTY	Remark
23	C17-001-23402	BATTERY , U1	1	



24. REAR TIRE ASS'Y

CERES 4 IPB (2 MAR 2017)

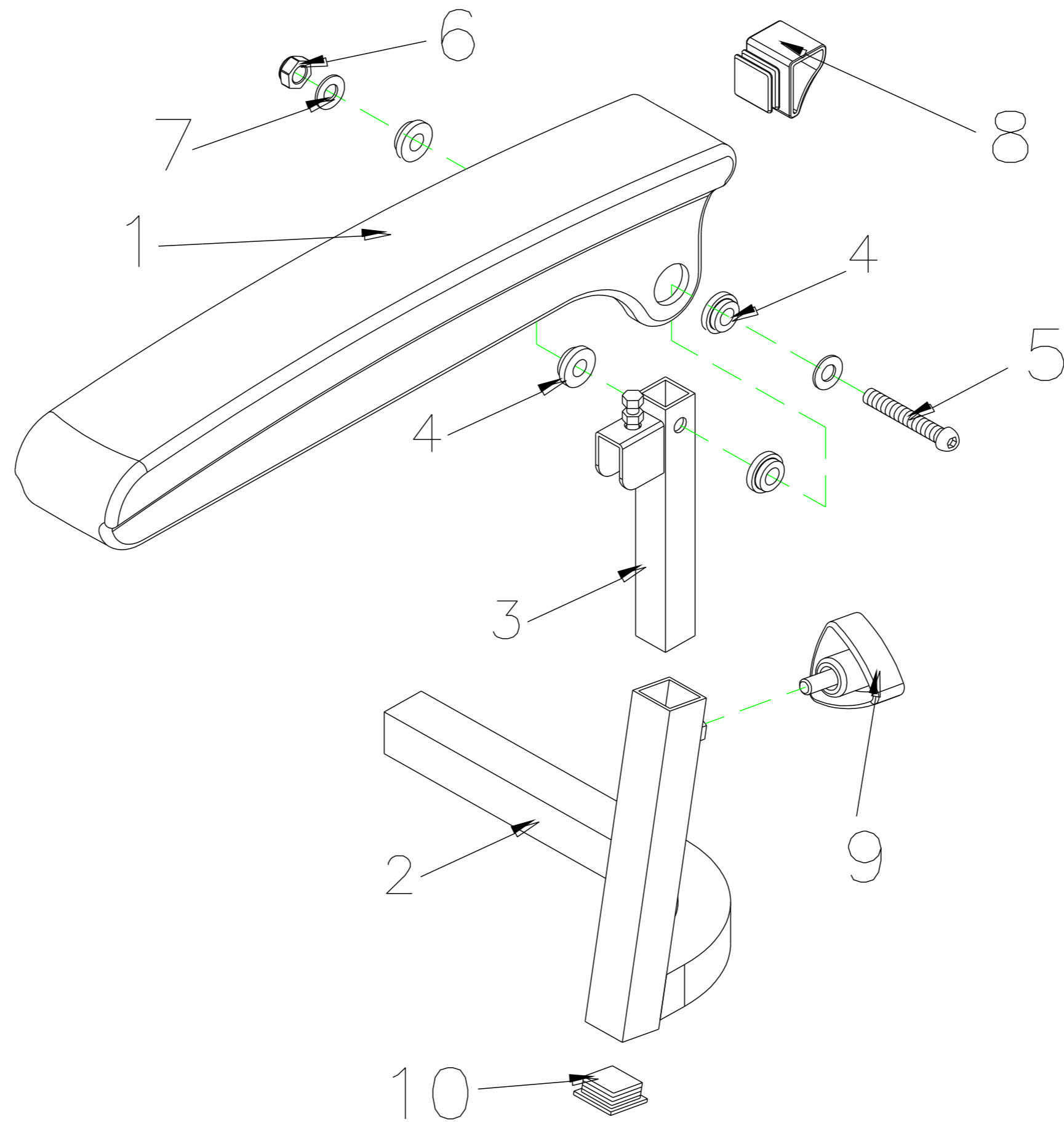
Fig&Index NO.	Parts No.	Parts Name	QTY	Remark
24	S06-054-00100	REAR TIRE ASSY,GRAY , 400-5-C154-7	1 SET	
24-1	C05-005-01400	TIRE , GRAY , 400-5-C154-7	1	
24-2	C05-005-00201	INNER TUBE	1	
24-3	C06-029-00102	WHEEL RIM , ALUNINUM ,5"	1	
24-4	C05-005-00401	WHEEL RIM , STEEL , 5"	1	
24-5	C06-001-10202	AXLE COLLAR,REAR WHEEL	1	
24-6	9211080200142	SPRING WASHER,5/16	1	
24-7	9002080201255	BOLT,M8x20L	1	
24-8	9214080300232	WASHER,5/16	1	
24-9	9201080801252	LOCK NUT,M8x1.25	4	
24	S06-054-00200	REAR TIRE ASSY,BLACK , 400-5-C154-7	1 SET	for CERES DELTA BAR VERSION
24-1	C05-005-00100	TIRE , BLACK , 400-5-C154-7	1	
24-2	C05-005-00201	INNER TUBE	1	
24-3	C06-029-00102	WHEEL RIM , ALUNINUM ,5"	1	
24-4	C05-005-00401	WHEEL RIM , STEEL , 5"	1	
24-5	C06-001-10202	AXLE COLLAR,REAR WHEEL	1	
24-6	9211080200142	SPRING WASHER,5/16	1	
24-7	9002080201255	BOLT,M8x20L	1	
24-8	9214080300232	WASHER,5/16	1	
24-9	9201080801252	LOCK NUT,M8x1.25	4	



25.ARMREST COMP., R

CERES 4 IPB (2 MAR 2017)

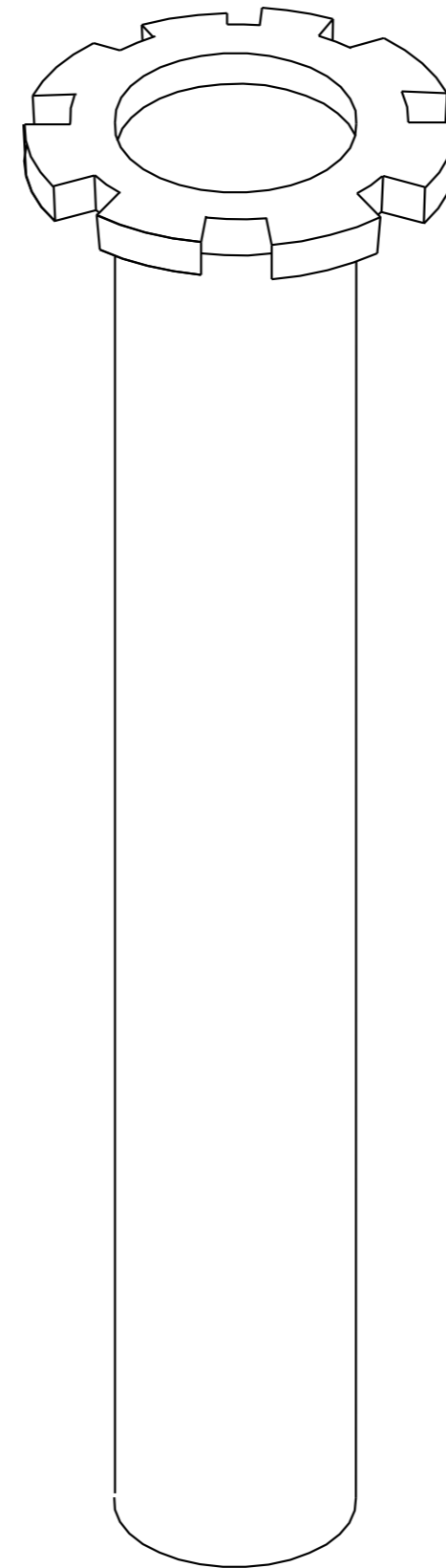
Fig&Index NO.	Parts No.	Parts Name	QTY	Remark
25	S07-053-00300	ARMREST COMP. , R	1 SET	
25-1	C07-044-00504	ARMREST , UPPER	1 SET	
25-2	C07-053-00301	ARMREST , LOWER , R	1 SET	
25-3	C07-053-00102	ARMREST , MIDDLE	1	
25-4	C07-044-01701	WASHER , 8mm	4	
25-5	9032080551251	BOLT , M8x55	1	
25-6	9206081251252	LOCK NUT , M8x1.25	1	
25-7	9214080150232	WASHER-M8	2	
25-8	C07-044-00601	PLUG	1	
25-9	C30-001-10202	BOLT,W/I KNOB , M8x20	1	
25-10	C26-001-00500	PLUG 1"X1"	1	



26.ARMREST COMP. , L

CERES 4 IPB (2 MAR 2017)

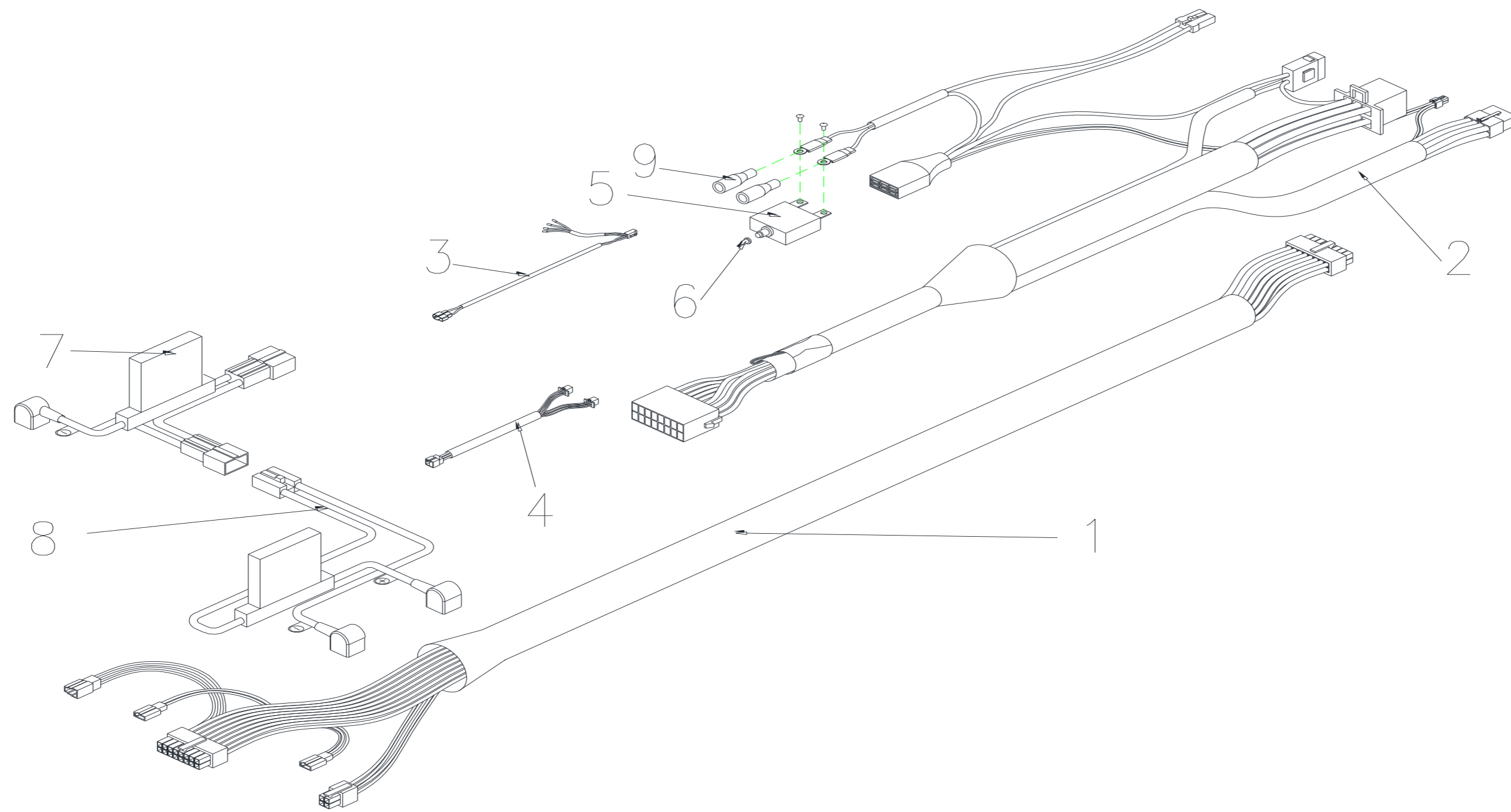
Fig&Index NO.	Parts No.	Parts Name	QTY	Remark
26	S07-053-00100	ARMREST COMP. , L	1	
26-1	C07-044-00504	ARMREST , UPPER	1	
26-2	C07-053-00201	ARMREST ,LOWER, L	1	
26-3	C07-053-00102	ARMREST , MIDDLE	1	
26-4	C07-044-01701	WASHER , 8mm	4	
26-5	9032080551251	HEXAGON BOLT , M8x55(ED)	1	
26-6	9206081251252	LOCK NUT , M8x1.25	1	
26-7	9214080150232	WASHER , M8	2	
26-8	C07-044-00601	PLUG	1	
26-9	C30-001-10202	BOLT,W/I KNOB , M8x20	1	
26-10	C26-001-00500	PLUG 1"X1"	1	



27. SEAT POST

CERES 4 IPB (2 MAR 2017)

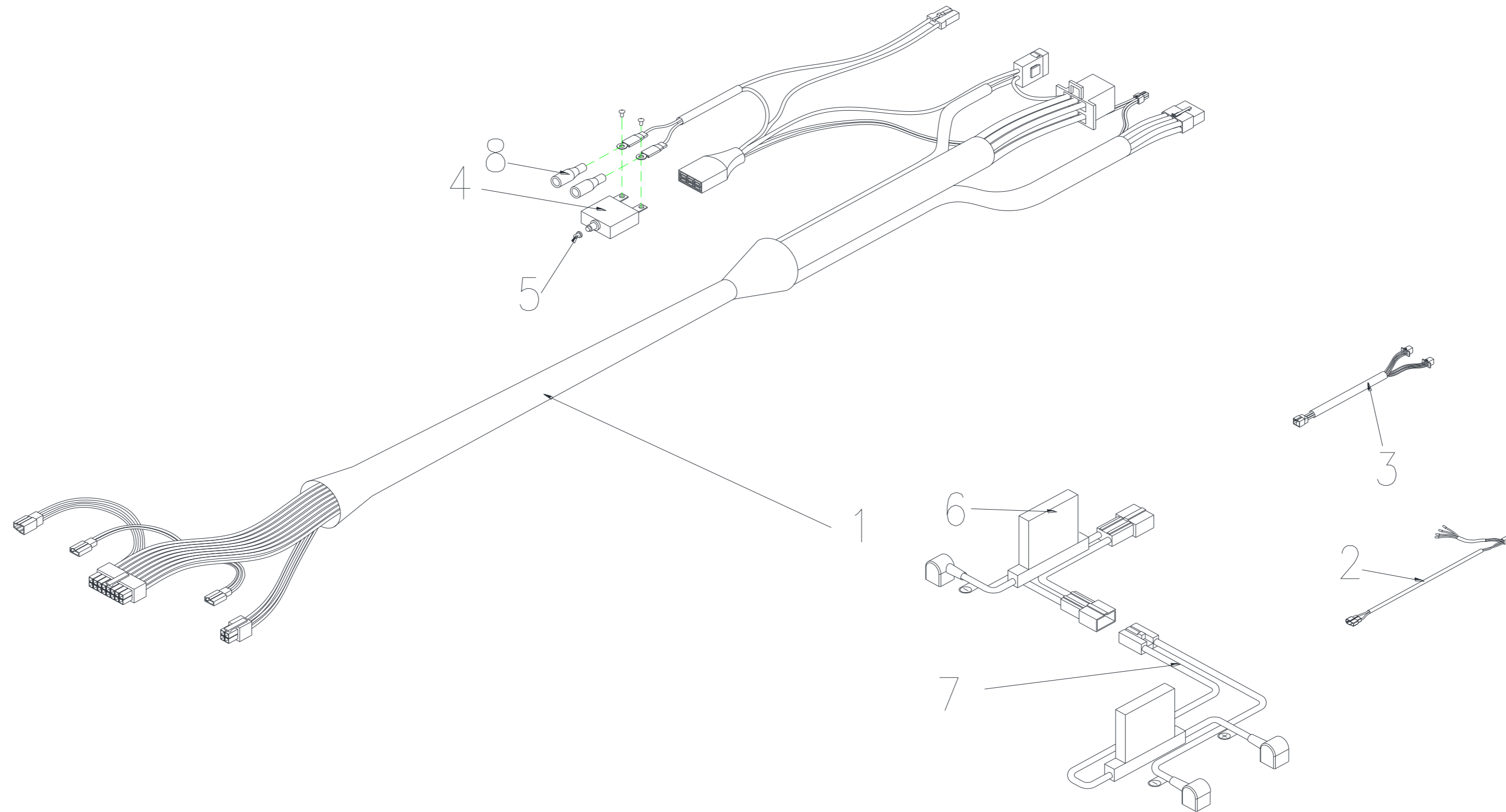
Fig&Index NO.	Parts No.	Parts Name	QTY	Remark
27	C07-023-00104	SEAT POST	1	



28.WIRE HARNESS ASS'Y

CERES 4 IPB (2 MAR 2017)

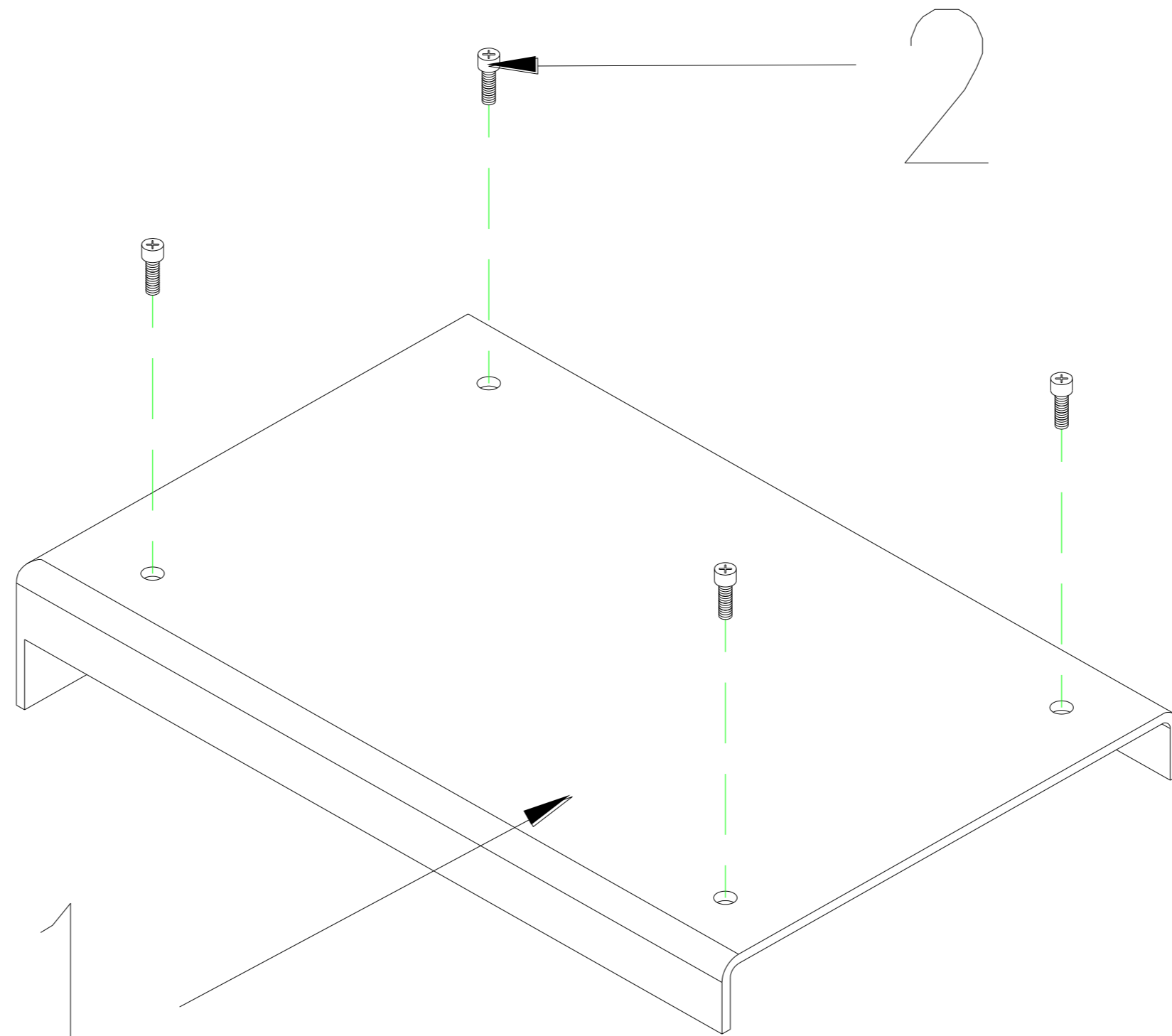
Fig&Index NO.	Parts No.	Parts Name	QTY	Remark
28	S18-054-00200	WIRE HARNESS ASS'Y, with PG	1 SET	FOR PG CONTROLLER
28-1	C18-054-00500	WIRE HARNESS ASS'Y,FRONT	1	
28-2	C18-054-00601	WIRE HARNESS ASS'Y,REAR	1	
28-3	C18-054-00302	WIRE HARNESS FOR SIGNAL LIGHT	1	
28-4	C18-051-00300	CABLE UNIT , REAR SHROUD	1	
28-5	C16-001-10603	50A BREAKER,M11	1	
28-6	C16-009-00401	TUBE,PROTECT SWITCH	1	
28-7	C18-001-10305	BATTERY CABLE , W/I FUSE(+)	1	
28-8	C18-001-10404	BATTERY CABLE , W/I FUSE(-)	1	
28-9	C26-001-00800	PLUG	2	
28-10	C16-051-00101	RELAY, BRAKE LIGHT	1	



28.WIRE HARNESS ASS'Y

CERES 4 IPB (2 MAR 2017)

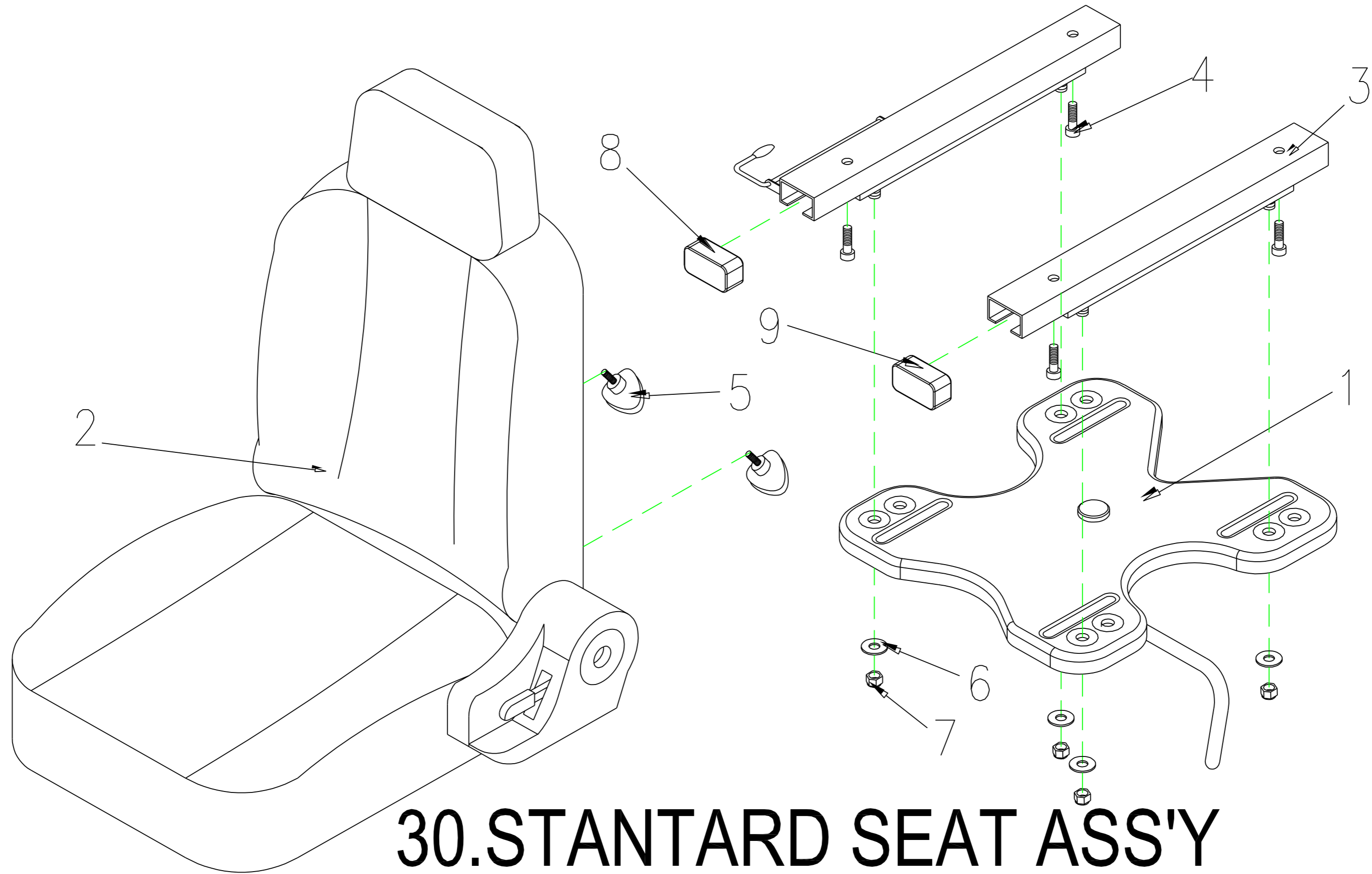
Fig&Index NO.	Parts No.	Parts Name	QTY	Remark
28	S18-054-00400	WIRE HARNESS ASS'Y, FRONT TO REAR, FOR CTE CONTROLLER	1 SET	
28-1	C18-054-00801	WIRE HARNESS ASS'Y	1	
28-2	C18-054-00302	WIRE HARNESS FOR SIGNAL LIGHT	1	
28-3	C18-051-00300	CABLE UNIT , REAR SHROUD	1	
28-4	C16-001-10603	50A BREAKER,M11	1	
28-5	C16-009-00401	TUBE,PROTECT SWITCH	1	
28-6	C18-001-10304	BATTERY CABLE , W/I FUSE(+)	1	
28-7	C18-001-10404	BATTERY CABLE , W/I FUSE(-)	1	
28-8	C26-001-00800	PLUG	2	
28	S18-054-00500	WIRE HARNESS ASS'Y, FRONT TO REAR, FOR PG CONTROLLER	1 SET	FOR PG CONTROLLER
28-1	C18-054-00704	WIRE HARNESS ASS'Y	1	
28-2	C18-054-00302	WIRE HARNESS FOR SIGNAL LIGHT	1	
28-3	C18-051-00300	CABLE UNIT , REAR SHROUD	1	
28-4	C16-001-10603	50A BREAKER,M11	1	
28-5	C16-009-00401	TUBE,PROTECT SWITCH	1	
28-6	C18-001-10305	BATTERY CABLE , W/I FUSE(+)	1	
28-7	C18-001-10404	BATTERY CABLE , W/I FUSE(-)	1	
28-8	C26-001-00800	PLUG	2	
28-9	C16-051-00101	RELAY, BRAKE LIGHT	1	



29. CONTROLLER HOLDER ASS'Y

CERES 4 IPB (2 MAR 2017)

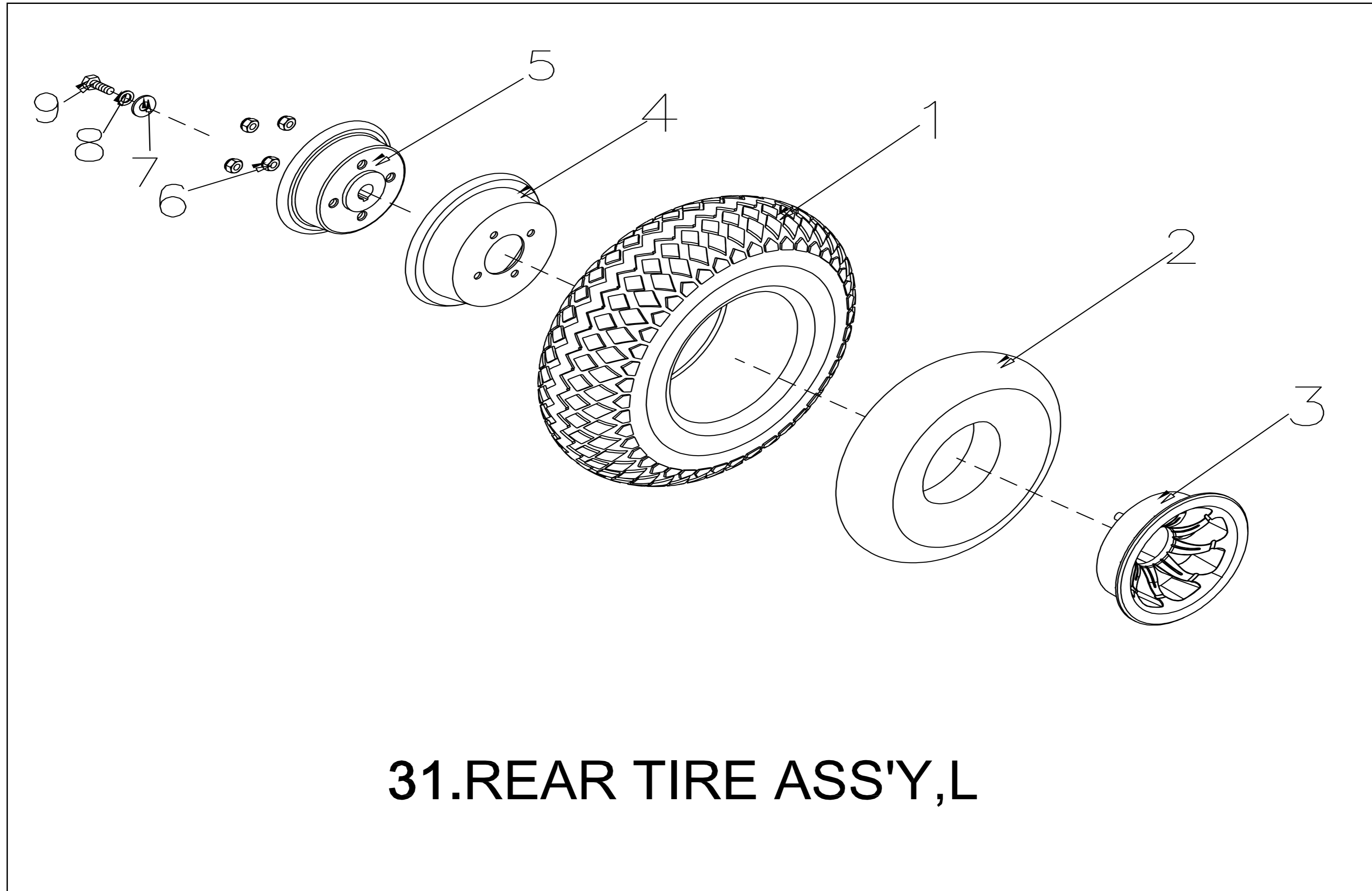
Fig&Index NO.	Parts No.	Parts Name	QTY	Remark
29	S01-054-00300	HOLDER , CONTROLLER ASS'Y	1 SET	
29-1	C01-054-00503	HOLDER , CONTROLLER	1	
29-2	9004040200703	BOLT , M4x20L	4	



30.STANTARD SEAT ASS'Y

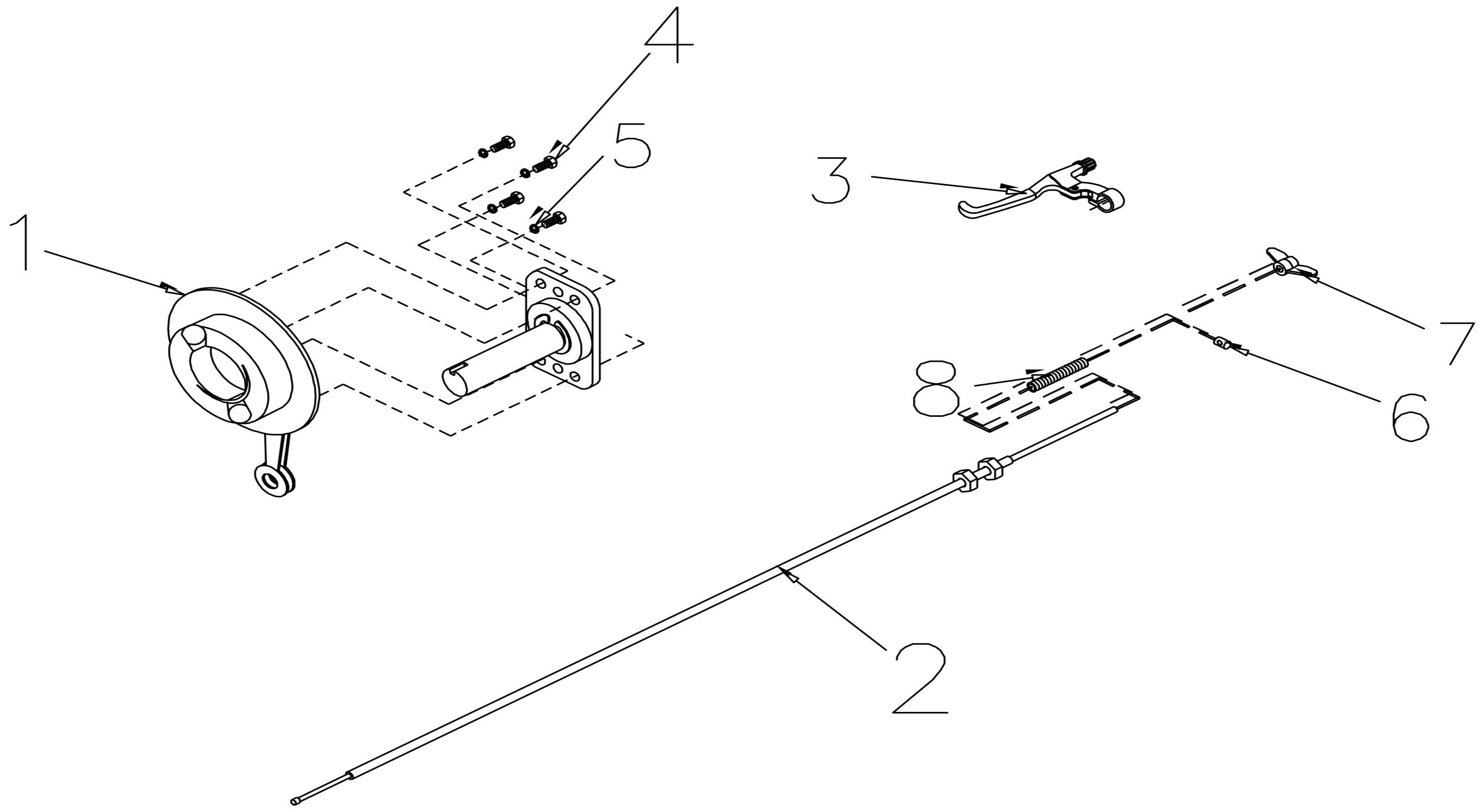
CERES 4 IPB (2 MAR 2017)

Fig&Index NO.	Parts No.	Parts Name	QTY	Remark
30	S07-054-00100	18" SEAT ASS'Y,SEAT PLATE/BLACK , TA-380C3	1 SET	
30-1	C07-040-00801	SEAT PLATE ASS'Y	1	
30-2	C07-051-00102	SEAT , 18" , BLACK , TA-390C3	1	
30-3	C07-016-00600	SLIDER-150mm	1 SET	
30-4	9032080151253	BOLT,M8X10L	4	
30-5	C30-001-10202	BOLT W/I KNOB ,M8X20L	2	
30-6	9214080150232	WASHER,5/16	4	
30-7	9201080801252	LOCK NUT,M8x1.25	4	
30-8	C26-003-00300	PLUG - R	1	
30-9	C26-003-00200	PLUG - L	1	



CERES 4 IPB (2 MAR 2017)

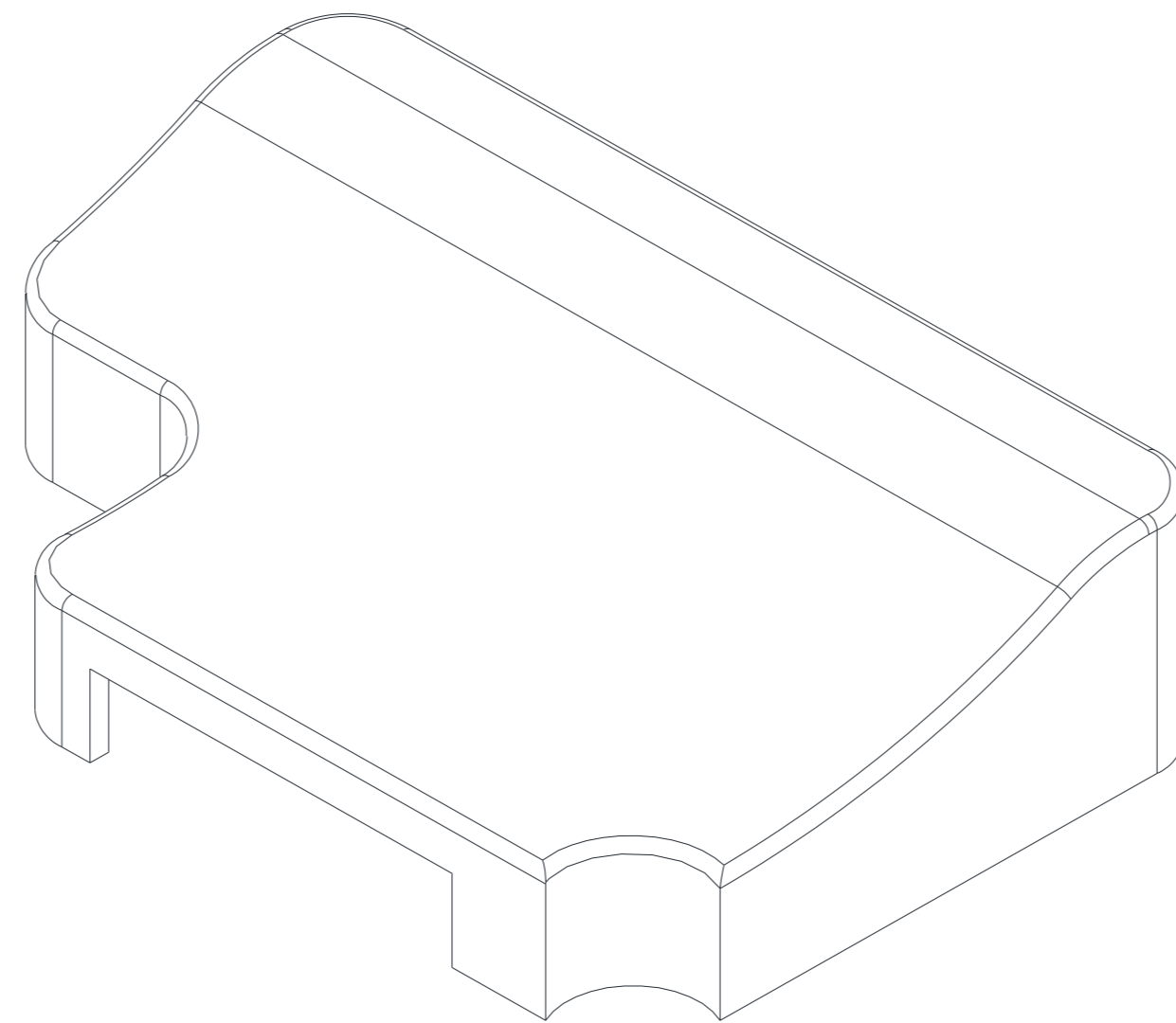
Fig&Index NO.	Parts No.	Parts Name	QTY	Remark
31	S06-005-00300	REAR TIRE ASS'Y,L , GRAY , 400-5-C154-7, inc. DRUM BRAKE	1 SET	
31-1	C05-005-01400	FRONT TIRE,GRAY(4.00-5-C154-7)	1	
31-2	C05-005-00201	INNER TUBE(4.00-5)	1	
31-3	C06-029-00201	OUTTER WHEEL RIM	1	
31-4	C05-005-00401	INNER WHEEL RIM , 5"	1	
31-5	C06-005-00206	DRUM BRAKE,REAR	1	
31-6	9201080801252	LOCK NUT , M8x1.25	4	
31-7	9211080200142	SPRING WASHER ,5/16	1	
31-8	9214080300232	WASHER , 5/16	1	
31-9	9002080201255	BOLT , M8x20L	1	



32.BRAKE ASS'Y

CERES 4 IPB (2 MAR 2017)

Fig&Index NO.	Parts No.	Parts Name	QTY	Remark
32	S35-054-00100	BRAKE ASS'Y	1	FOR CERES TUV
32-1	C06-005-00301	COVER BRAKE,REAR	1	
32-2	C35-026-00102	CABLE , BRAKE	1	
32-3	C06-061-00900	LEVER , BRAKE	1	
32-4	9002060101003	BOLT , M6x10	4	
32-5	9211060150102	SPRING WASHER , M6	4	
32-6	C35-005-00500	PIN , BRAKE	1	
32-7	C35-005-01000	NUT , BRAKE	1	
32-8	C35-005-00401	SPRING , BRAKE	1	



33. COVER, CONTRSLLER

CERES 4 IPB (2 MAR 2017)

Fig&Index NO.	Parts No.	Parts Name	QTY	Remark
33	C26-067-00300	COVER,CONTRSLER,P&G 70A	1	

CERES 4 IPB (2 MAR 2017)

Fig&Index NO.	Parts No.	Parts Name	QTY	Remark
34		ACCESSORIES		
34-1	C20-007-00200	GRIP , 120mm	2	
34-2	C20-045-00200	GRIP , 350mm, DELTA BAR	2	
34-5	C23-001-10300	BASKET,PLASTIC	1	
34-6	C12-023-00100	CHARGER,220V, 4A OFF BOARD , CTE	1	
34-9	C12-001-00800	CABLE,CHARGER , EU	1	
34-12	C37-054-00102	OWNER'S MANUAL , BE 01	1	
34-18	C99-054-00102	CARTON , BE 01	1	
34-22	C37-001-00300	MIRROR , L	1	
35-8	S27-054-00100	LABEL SET , BATTERY COVER , EN 01	1 SET	
35-8-1	C27-001-01900	LABEL , NEVER LIFT UP	1	
35-8-2	C27-001-10700	LABEL , ELECTROMAGNETISM	1	
35-8-3	C27-001-00200	LABEL , CE	1	
35-8-4	C27-009-01700	LABEL , EMI	1	
35-8-5	C27-054-00200	LABEL , BRAND , BE 01	1	
35-8-6	C31-016-00200	VELCRO STRIP, LOOP , 80	1	
35-8-7	C31-016-00100	VELCRO STRIP, HOOK , 80	1	
35-8-8	C24-001-00300	REFLECTOR,SIDE,YELLOW	2	
35-14	S27-054-00200	FRONT SHROUD ACCESSORY	1 SET	
35-14-1	C26-040-00200	FOOTREST PAD , R	1	
35-14-2	C26-040-00100	FOOTREST PAD , L	1	
35-14-3	C08-029-00501	DAMAGE PROOF PIECE	2	
35-14-4	9906065000000	PIN ,M6.5	4	
35-14-5	C31-016-00200	VELCRO STRIP, LOOP , 80	1	
35-14-6	C31-016-00100	VELCRO STRIP, HOOK , 80	1	
35-16	S27-054-00300	LABEL SET , REAR SHROUD , BE 01	1 SET	
35-16-1	C27-034-01900	LABEL ,LOGO-BE 01	1	
35-16-2	C27-001-00801	LABEL , FREEWHEEL-ENGAGED	1	
35-16-3	C31-016-00200	VELCRO STRIP, LOOP , 80	3	
35-16-4	C31-016-00100	VELCRO STRIP, HOOK , 80	3	
35-16-5	C24-051-00100	REFLECTOR,REAR,RED	1	